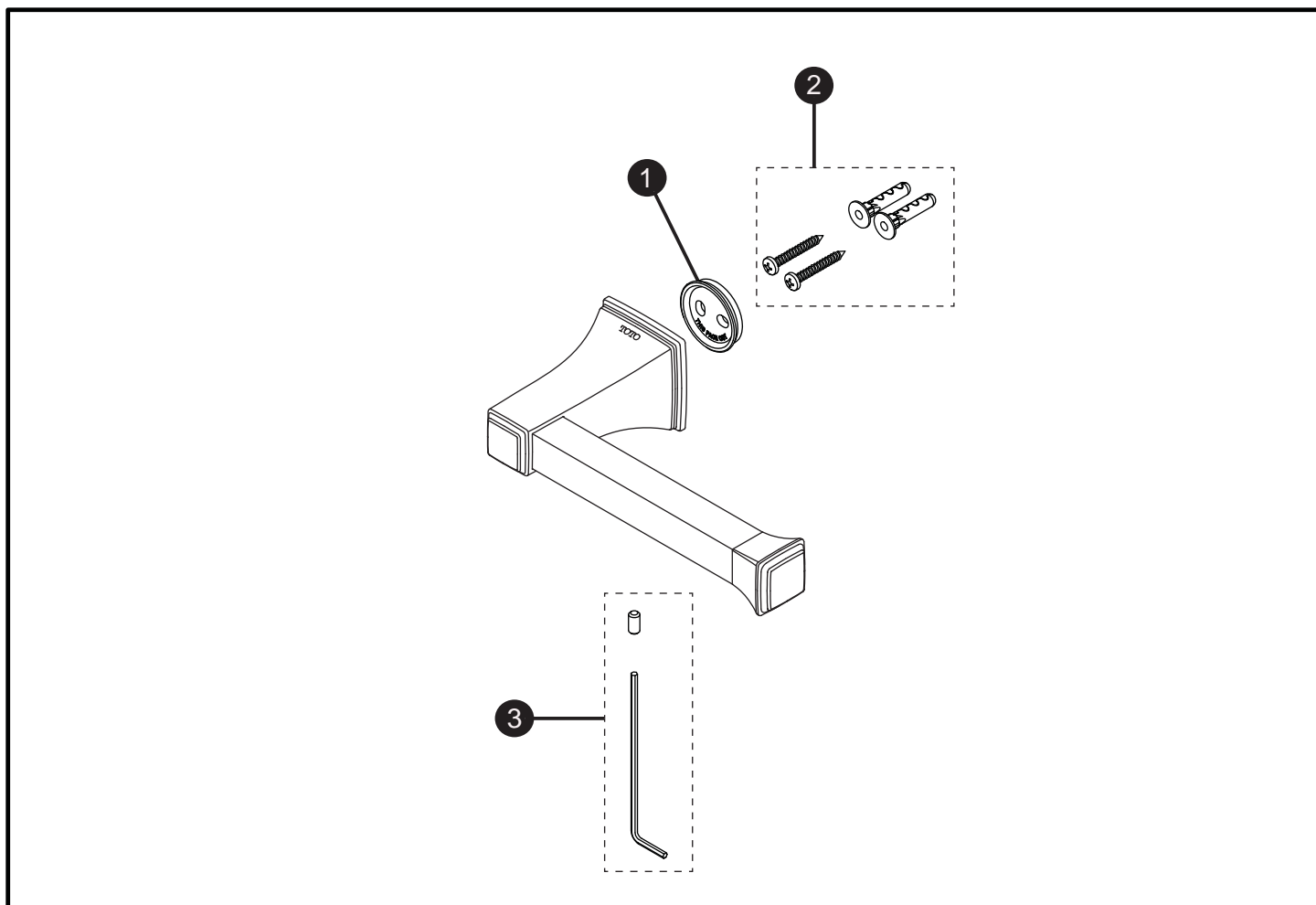


Traditional Collection Series B
Paper Holder



| Item | Part | Description |
|------|---------|---------------------------|
| 1 | THP4917 | Mounting Disk |
| 2 | THP4489 | Mounting Hardware (1 set) |
| 3 | THP4968 | Set Screw and Hex Wrench |

| LEGEND |
|-----------------------|
| \$\$ = Denotes Finish |
| #CP = Polished Chrome |
| #BN = Brushed Nickel |
| #PN = Polished Nickel |