

## Integrated EcoPower® Faucet

### FEATURES

- Hydropower self-generating system
- Above-deck valve for ease of installation and service
- Above-deck temperature control handle
- Thermostatic mixer with SMA technology for superior scald protection
- Single-hole mount

### MODELS

- TEL5LI15R - Thermal Mixing  
Discharge: On-demand; Up to 15 seconds while activated.
- Optional Accessories:  
THP3158#CP - 4" Cover Plate  
THP3159#CP - 8" Cover Plate

### COLORS/FINISHES

- #CP Polished Chrome

### CODES/STANDARDS

- Operates below mandatory baseline, 0.20 gallon/cycle, of California Green Building Code, CALGreen
- Meets or exceeds ASME A112.18.1/CSA B125.1, and ASSE 1070\*
- Certifications: IAPMO(cUPC), ASSE, State of Massachusetts, and others
- Code Compliance: UPC, IPC, NSPC, NPC Canada, and others
- California Green Code and City of Los Angeles Water Efficiency Ordinance
- ADA compliant
- Complies with federal and state statutes as lead-free



\*Note: ASSE 1070 supersedes ASSE1016 for non-shower point of use devices. Applies to TEL5 series models.



### PRODUCT SPECIFICATION

TOTO Model # \_\_\_\_\_ Automatic infrared sensor activated faucet. Anti-scald, thermal mixing chamber. Automatic sensor adjustment on installation. Maximum discharge 0.15 gallon per 15 second cycle. Single hole faucet with optional 4" and 8" cover plates. Faucet uses 0.15 gallon/cycle which is 25% below CALGreen's baseline.

# TEL5LI15R

## Integrated EcoPower® Faucet

### SPECIFICATIONS

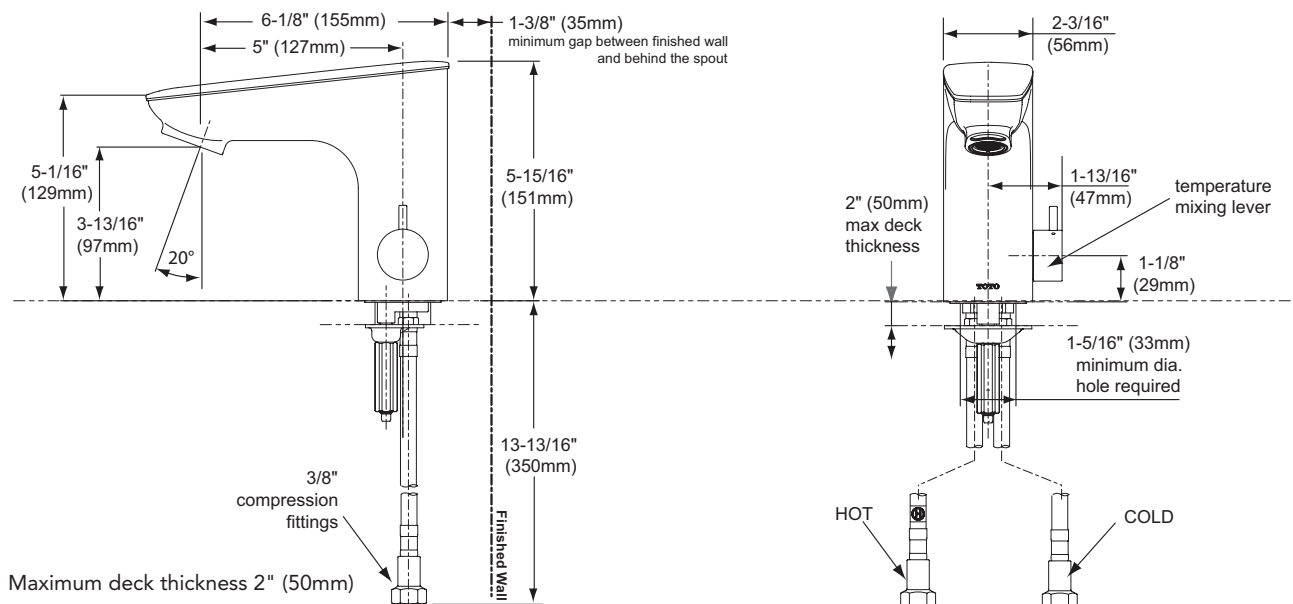
- **Warranty** Three year warranty
- **Material** Bronze with polished chrome finish
- **Power Supply** Hydropower self-generating system
- **Hot/Cold-water Supply** Minimum pressure (Dynamic): 10 PSI (0.07MPa)  
Maximum pressure (static): 80 PSI (0.55 MPa)
- **Water Supply Connect** 3/8" Compression
- **Water Consumption** 0.15 gallons per cycle (Max)
- **Water Saving Function** Automatically turns OFF when user removes hands  
Maximum continuous run time is 15 seconds
- **Detection time** ON feature: Immediate  
OFF feature: 1 second delay
- **Detection range** Factory set at 2-1/4"  
Faucet automatically sets the detection range according to the size of the basin
- **Discharge water temperature control range** Thermal Mixing Faucet:  
Cold inlet: 39 - 80°F  
Hot inlet: 120 - 180°F  
Adjustable Outlet: 39 - 113°F (max)
- **Anti-scald safety feature** Provides the user protection against exposure to excessive water temperature (Thermal mixing faucet, only)

### NOTE

Following the Federal mandate for water efficiency outlined in the Environmental Protection Act of 1992, Faucets can be rated for water consumption based on two categories: flow rate and water consumption.

With the "Water Consumption" standard, a faucet must not use more than 0.25 gallons of water per cycle. The TOTO® faucet with a 15 second cycle uses 0.15 gallons of water. This is a 40% below the base line of 0.25 gallons per cycle.

Furthermore, an innovative design feature incorporated into all TOTO electronic faucets is an "ON-DEMAND" mode. This means that the faucet will only deliver water as needed and will not run the entire duration of its rated cycle - 15 seconds. This guarantees additional water savings. TOTO uses water consumption because it is the most accurate method of measuring water use. This method of measurement can be incorporated into water usage calculations for various efficiency programs. For more information, please consult [www.totousa.com](http://www.totousa.com).



**TOTO®**

*These dimensions and specifications are subject to change without notice*