

FEATURES

- Touchless automatic sensor faucet
- SOFT FLOW® prevents splashing
- SAFETY THERMO® thermostatic mixing valve for scald prevention
- Cost saving WaterSense® Certified 1.1 gpm faucet
- Temperature indicating LED light
- Requires TLP01702U Controller (sold separately)
- Drain assembly not included

COLORS/FINISHES

- #CP Polished Chrome

Made to Order

- #BN Brushed Nickel

PRODUCT SPECIFICATION

Product shall have a maximum flow rate of 1.1 gpm (4.2 lpm). Product shall have a brass construction. Product shall be an automatic sensor faucet. Product shall be TOTO Model TLP01701U#_____.

CODES/STANDARDS

- Meets or exceeds ASME A112.18.1/CSA B125.1, ASSE 1070/ASME A112.1070 / CSA B125.70, NSF61-9, UL1951, UL1310, CAN/CSA C22.2
- Certifications: IAPMO(cUPC), EPA WaterSense, State of Massachusetts and others
- Code Compliance: UPC, IPC, NSPC, NPC Canada, CEC, DOE, and others
- California Green Building Code, City of Los Angeles Water Efficiency Ordinance
- Complies with federal and state requirements as lead-free (weighted average of 0.25% lead or less)
- ADA compliant
- Complies with CA Prop 65 warning requirements



SOFT FLOW



SAFETY THERMO



Auto Functions



TLP01702U Controller
(Sold Separately)



C

C EGS US

WaterSense
Certified by EPA
1.1 gpm

ADA

TLP01701U

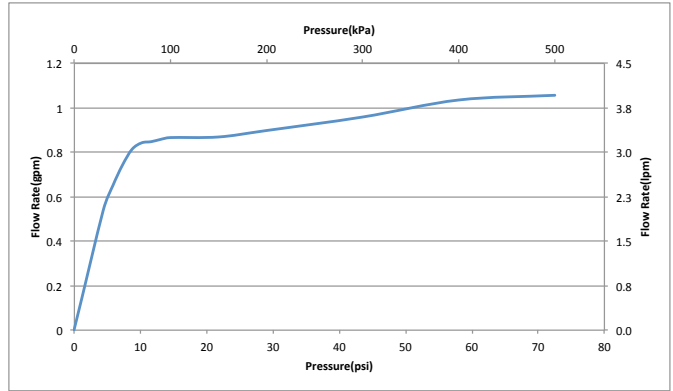
ZN Lavatory Faucet

SPECIFICATIONS

Material	Brass
Maximum Flow Rate	1.1 gpm (4.2 lpm)
Power Supply	AC 100~240 V
Power Cord Length	29-1/2" (750mm)
Sensor Detection Range	5-1/8" ~ 7-7/8" (130~200mm)
Water Supply Pressure	Min. Required: 15 psi (138 kPa) (Flowing) Max Allowed: 80 psi (551 kPa)
Water Supply Connection	1/2-14 NSPM
Inlet Temp. Range	HOT: 120~180°F (49~82°C) COLD: 39~80°F (4~27°C)
Ambient Temp.	32~104°F (0~40°C)
Humidity Max.	90% RH
Warranty	Three Year Limited

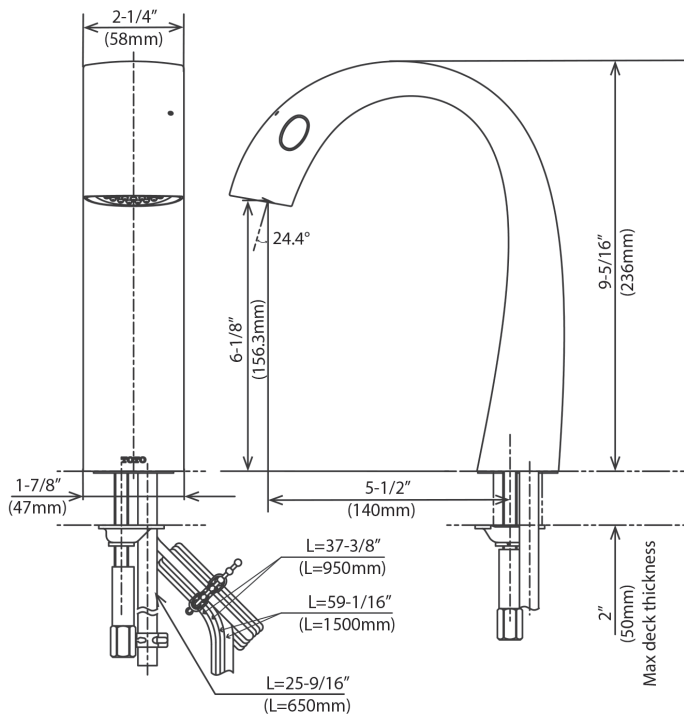
INSTALLATION NOTES

- Requires TLP01702U Controller (sold separately)
- Check local plumbing code for specification requirements



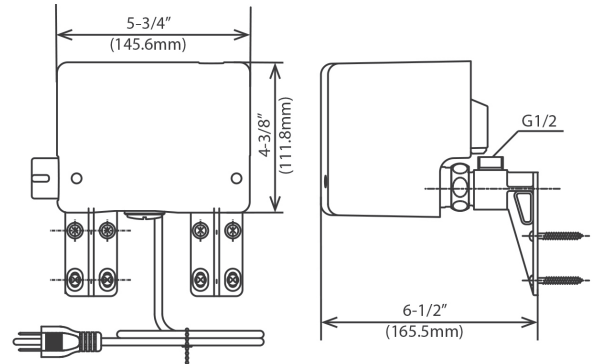
DIMENSIONS

TLP01701U



Faucet hole \varnothing 1-1/4" (\varnothing 32mm) - \varnothing 1-1/2" (\varnothing 38mm)

TLP01702U



TOTO[®]

These dimensions and specifications are subject to change without notice

Ph: (888) 295-8134 | Fax: (800) 699-4889 | www.totousa.com | © TOTO USA

SS-01262 v.03