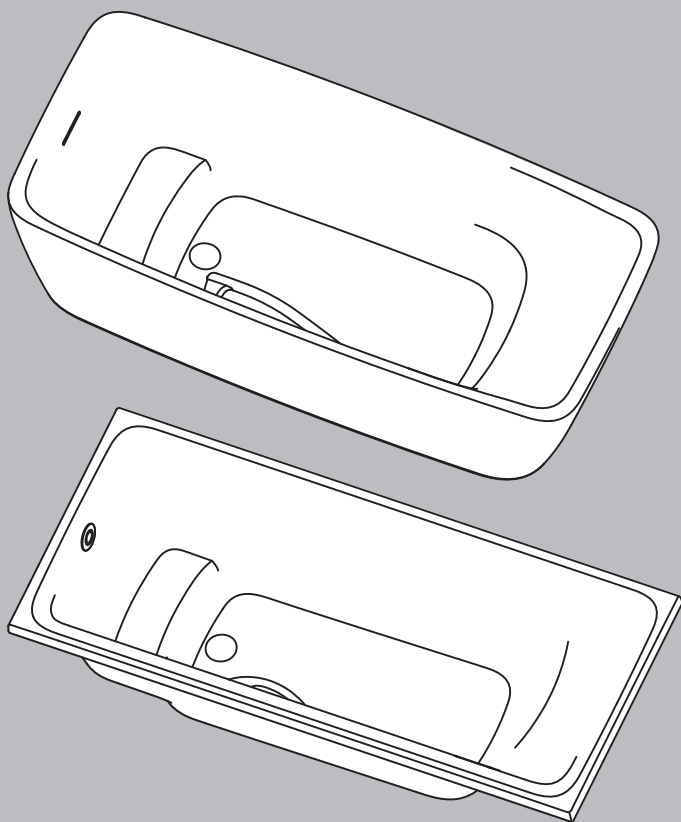


FLOTATION TUB WITH RECLINE COMFORT



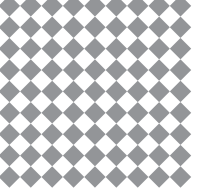
Cautions and warnings	2	Introduction
Safety precautions	7	
Names of parts	8	
Before using it for the first time	9	

Operation instructions	10	Operation
• Drain plug	10	

User maintenance	11	Maintenance
• Method of maintenance	11	
• Drain plug	12	

Specifications	13	Others
After-sales service	14	
Bathtub Disposal	14	
Warranty	15	

- Thank you very much for purchasing the FLOTATION TUB. Please read this manual carefully and use the FLOTATION TUB correctly. Keep this instruction manual for future reference.





Cautions and warnings

Always observe these warnings.



Please read these cautions and warnings carefully and use the equipment correctly.

Follow all safety precautions and warnings.

- The following are the indicators and their meanings.

 WARNING	When this appears next to a topic, this indicates that misoperation could result in death or serious injury.
 CAUTION	When this appears next to a topic, this indicates that misoperation may result in injury or physical damage.

- The following symbols are used to classify and explain instructions that must be followed.



Symbol example	Meaning of symbol
	This symbol indicates something that is "Prohibited".
	This symbol indicates something that is "Required".

INSTRUCTIONS PERTAINING TO A RISK OF FIRE, ELECTRIC SHOCK, OR INJURY TO PERSONS



WARNING

When using this unit, basic precautions should always be followed, including the following:

 Do not disassemble.	<p>Do not try to disassemble, repair, or modify.</p> <ul style="list-style-type: none"> • Otherwise there is a risk of injury, fire or electric shock due to abnormal operation. There is also a chance of leakage that could wet and cause damage to household property.
 Prohibited	<p>Do not let the person under the influence of drugs or strong pharmaceuticals bathe.</p> <ul style="list-style-type: none"> • Otherwise there is a risk of drowning.
	<p>Do not drain the bathtub while bathing.</p> <ul style="list-style-type: none"> • Otherwise your hands, legs or hair might be drawn into the drain, with the possibility of injury or drowning.
	<p>Do not stand on the edge of the bathtub.</p> <ul style="list-style-type: none"> • Otherwise, you may slip and hurt yourself.
	<p>Do not submerge yourself or thrash about in the bathtub.</p> <ul style="list-style-type: none"> • Otherwise, injury or drowning may result.
	<p>Do not use flammable substances around the bathtub.</p> <ul style="list-style-type: none"> • Otherwise, a fire could result.

 **WARNING**


Always observe
**READ AND
FOLLOW ALL
INSTRUCTIONS**

Ask your retailer, contractor or specialist about installing or moving the product

- If you try to install or move it yourself and something has not been done properly, there is a chance of leakage that could wet and cause damage to household property.

DANGER; To reduce the risk of injury, do not permit children to use this unit unless they are closely supervised at all times.

Hold the edges of the bathtub when entering.

- Otherwise, you may slip and hurt yourself when getting into or out of the bath.

Step in and out of the bathtub carefully.

- Do not jump into the bathtub. Otherwise, you may slip and hurt yourself.

Check the temperature of the water before entering the bathtub.

- There is a risk of scalding.

Be sure to clean the bathtub before it is used for the first time.

Clean the bathtub regularly.

Ensure that there is adequate ventilation during and after bathing.

- Otherwise, mildew may form.

Use this unit only for its intended use as described in this manual. Do not use attachments not recommended by the manufacturer.

Never drop or insert any object into any opening.

Hyperthermia occurs when the internal temperature of the human body exceeds 98.6°F. The symptoms of hyperthermia include an increase in the internal temperature of the body, dizziness, lethargy, drowsiness, and fainting. The effects of hyperthermia include;

- a) Failure to perceive heat;
- b) Failure to recognize the need to exit the bathtub;
- c) Unawareness of impending hazard;
- d) Fetal damage in pregnant women;
- e) Physical inability to exit the bathtub; and
- f) Unconsciousness resulting in the danger of drowning.

WARNING-The use of alcohol, drugs, or medication can greatly increase the risk of fatal hyperthermia.

 **CAUTION**



Prohibited

Do not hit or drop the plated parts.

- Doing so could crack the plated surfaces, leading to injury. If the plated surface should ever crack, please replace the cracked part immediately with a new part.

Do not sit on or climb onto the head rest.

- Doing so could cause a fall or injury. Components may deform and/or break.

Do not drop things into the bathtub. Do not bump, or impose undue force on the bathtub.

- Doing so could cause cracking and leaks.

Do not let hot water splash outside the bathtub.

- Water splashing out of the bathtub could cause flooding outside the bathing area and problems in other rooms (mold, peeling wallpaper, flooring damage, etc.)

Do not pour paint thinner, other solvents or chemicals down the drain.

- Doing so could damage the pipes, leading to leaks.

Do not use bath oils or bath salts containing sulfur, salts, or acids.

- Doing so could discolor or deteriorate the bathtub or damage the pipes, leading to leaks.

Do not use foaming, chlorine-based or anti-mold cleansers.



- The gases that are produced in reactions with water or moisture can corrode or degrade the stainless steel or other metals.

When cleaning, do not use the following cleansers or tools.

Doing so could cause product problems or an adverse reaction in people, depending upon how they are used.

- **Detergents labeled "acidity"**
These could cause discoloration, deterioration or staining of the surface.
- **Detergents labeled "alkalinity"**
These could cause discoloration, deterioration or staining of the surface.
- **Thinners, acetones, and other solvents**
These could cause discoloration, deterioration or staining of the surface. Additionally, there is also a chance of damaging the drain path and subsequent leakage.
- **Chemicals**
These could cause discoloration, deterioration or staining of the surface. Additionally, there is also a chance of damaging the drain path and subsequent leakage.
- **Detergents containing chlorine**
These could cause discoloration, deterioration or staining of the surface. It can also damage the plating of the water faucet.
- **Unwoven sponges, aluminum sponges, net sponges, pumice sponges, metal bags, nylon bags**
These may scratch the surface of the bathtub.
- **Cleanser or polishing powders**
These will cause scratching.

 **CAUTION**

 Prohibited	<p>Keep sources of heat at a distance.</p> <ul style="list-style-type: none"> • Do not put candles near the bathtub. Do not smoke. Otherwise there is a risk of deformation, discoloration or deterioration of the bathtub.
	<p>Do not leave items out that rust easily.</p> <ul style="list-style-type: none"> • Leaving hairpins, razors or other items that rust easily in the bathtub could leave rust marks that are difficult to remove on the surface.
	<p>Avoid powerful forces and impacts.</p> <ul style="list-style-type: none"> • Damage could lead to leaks, which could lead to water damage of household property.
	<p>Do not use inorganic drain cleaners / granulated detergent for removing clogging of piping.</p> <ul style="list-style-type: none"> • They may damage the pipes as well as the surface. They are dangerous to health when wrongly used. At most, use a biological drain cleaner, if a plunger is insufficient.
	<p>Do not dispose of any chemicals or drain away any objects likely to block the drain pipe in the bathtub.</p> <ul style="list-style-type: none"> • Observe the current environmental regulations of each country.
 Always observe	<p>Rinse the bathtub within 5 minutes after using cleanser.</p> <ul style="list-style-type: none"> • Otherwise there is a risk of discoloration, deterioration or cracking of the bathtub.
	<p>If cosmetics or similar substances get on the product, wash it with water immediately.</p> <ul style="list-style-type: none"> • Leaving cleansing agents, hairdressing products, hair dyes, hair tonics, perm solutions or essential oils on the surface could cause discoloration, deterioration or cracks.
	<p>When disposing the bathtub, the function parts, or any other parts, separate each component</p> <ul style="list-style-type: none"> • Dispose of the separated components according to the environmental laws in your country.

SAVE THESE INSTRUCTIONS

Safety precautions

Please observe the following.

Use only genuine parts with this product.

- Otherwise, an unforeseen accident could result.

Clean the bathtub well.

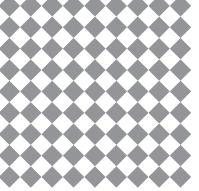
- If there is bath water residue, trace amounts of copper ions in the water could react with the fatty acids in the soap, causing a blue discoloration.

Do not pour hot water over the fittings or subject them to impact.



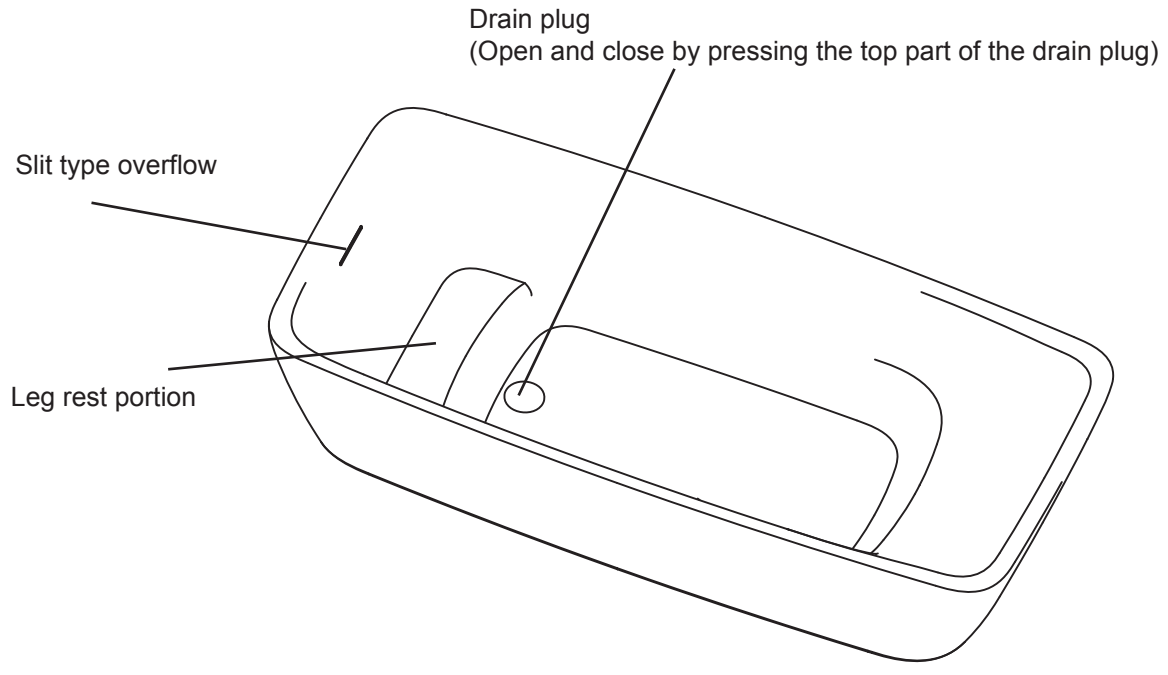
Prohibited

- Direct contact between the bathtub surface and hot water in excess of 60°C can damage the surface.
- Dropping or striking the tub with cosmetic bottles or other hard objects can cause scratches.

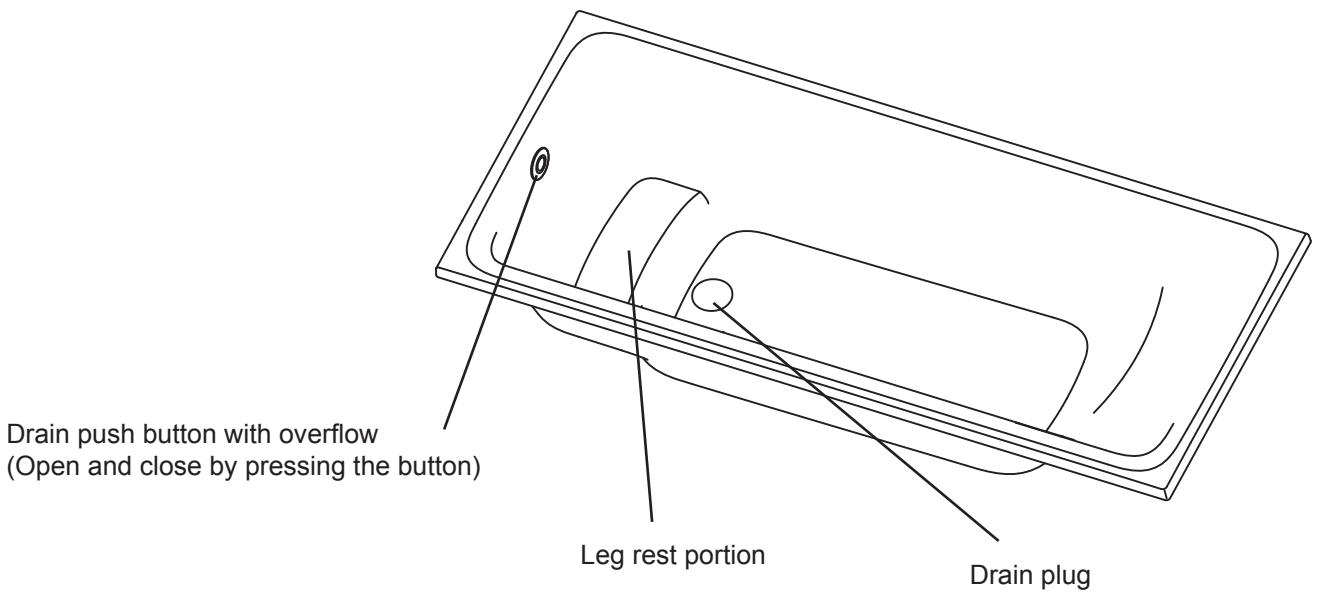


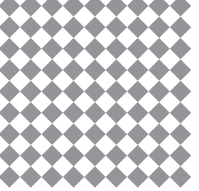
Names of parts

PJY1724PW



PPY1780PT





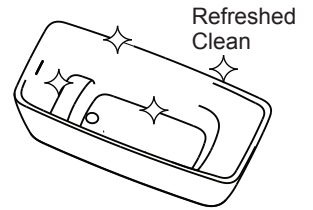
Before using it for the first time

Procedure for first-time use

For a pleasant bathing experience, please change the water in the bathtub daily.

We also recommend draining the water out of the bathtub soon after bathing.

- If the water is frequently left in the bathtub until the next day or if the residual water is not removed due to the use of the shower during maintenance, residue could build up or cause an offensive odor.



Enter the bathtub with a low temperature.

The use of bathtub steps(except for a bathtub with a step).



● leg rest

● foot rest

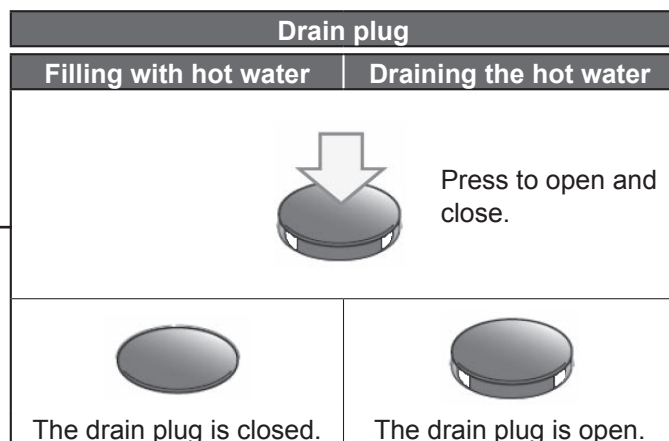
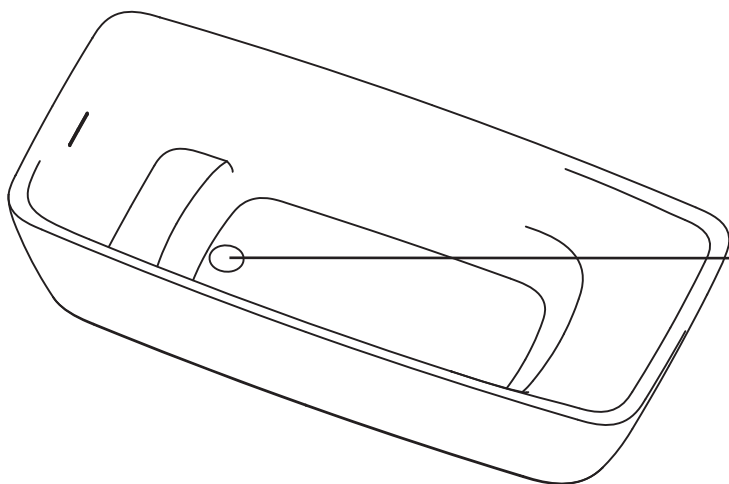
● A child's chair

Operation instructions

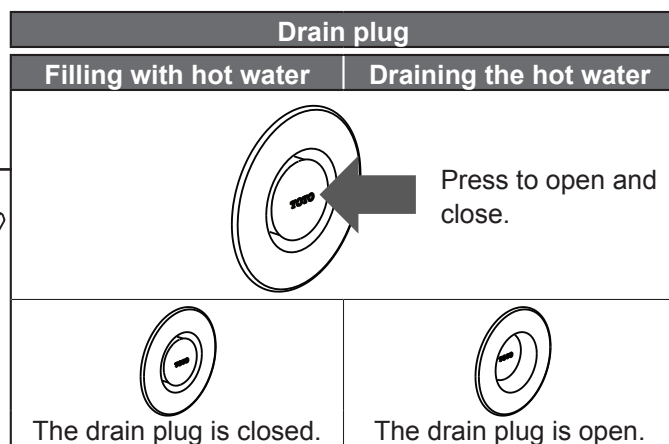
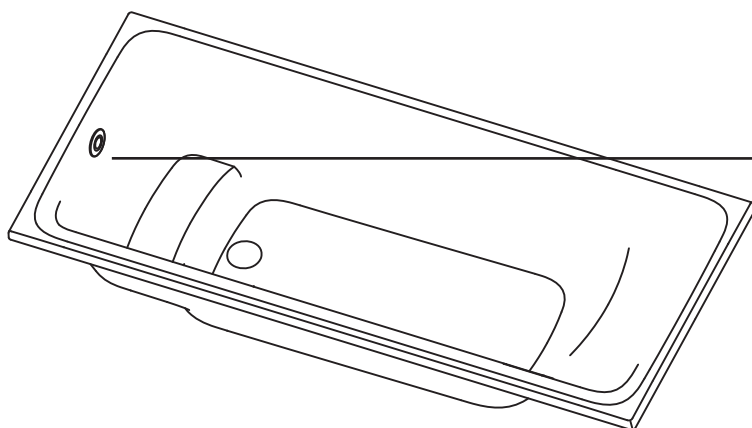
Drain plug

The drain plug can be opened or closed by pressing the top part of the drain plug.

PJY1724PW

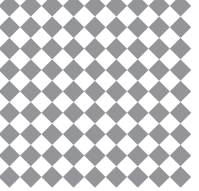


PPY1780PT



*Make sure no foreign particles enter the drain button.

*If foreign particles, hair, or residue enters the drain plug, remove them by following the instructions listed in the manual. ▶ P.12



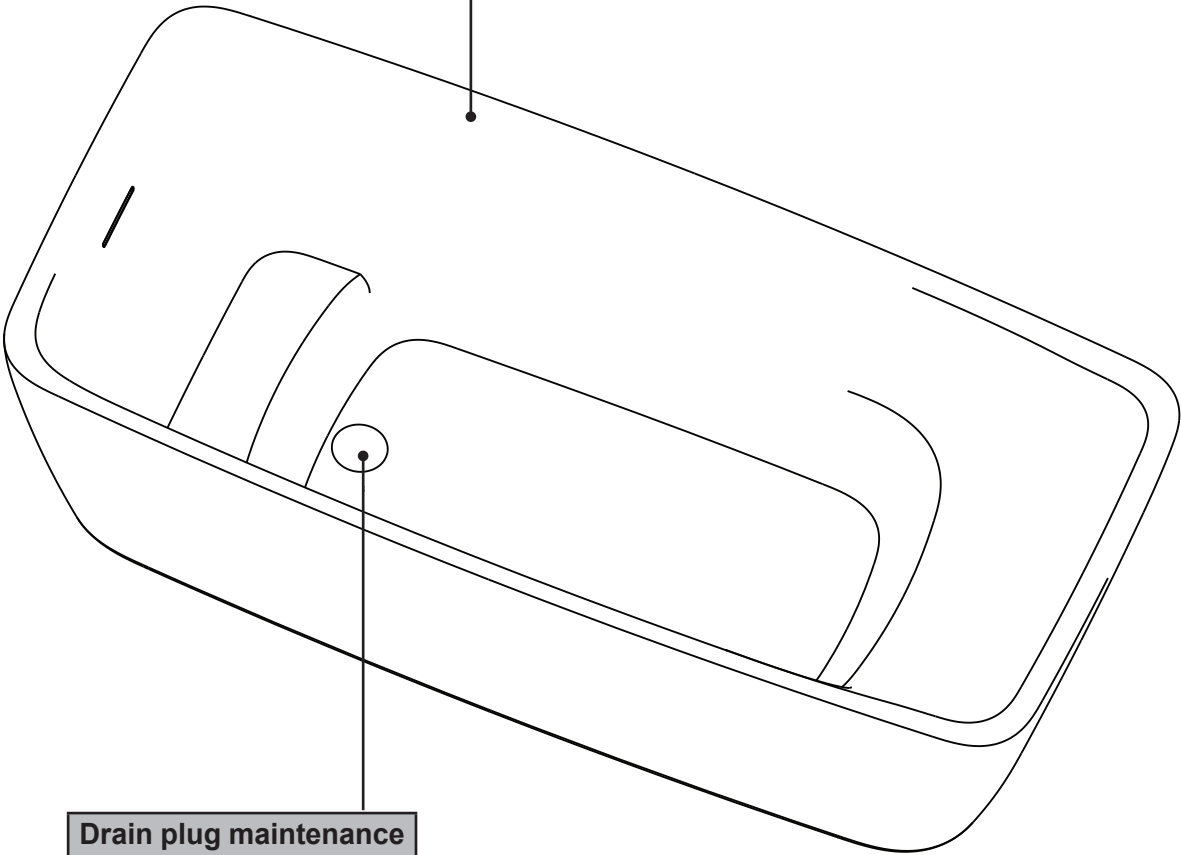

User maintenance

Method of maintenance

Bathtub maintenance

Cleaning the bathtub after bathing while the bathtub is still wet makes cleaning up easy. To keep the bathtub fresh and clean at all times, please clean it frequently.

Apply a "pH neutral" bathtub detergent with a sponge or cloth, wash, rinse with water within 5 minutes and then wipe dry.

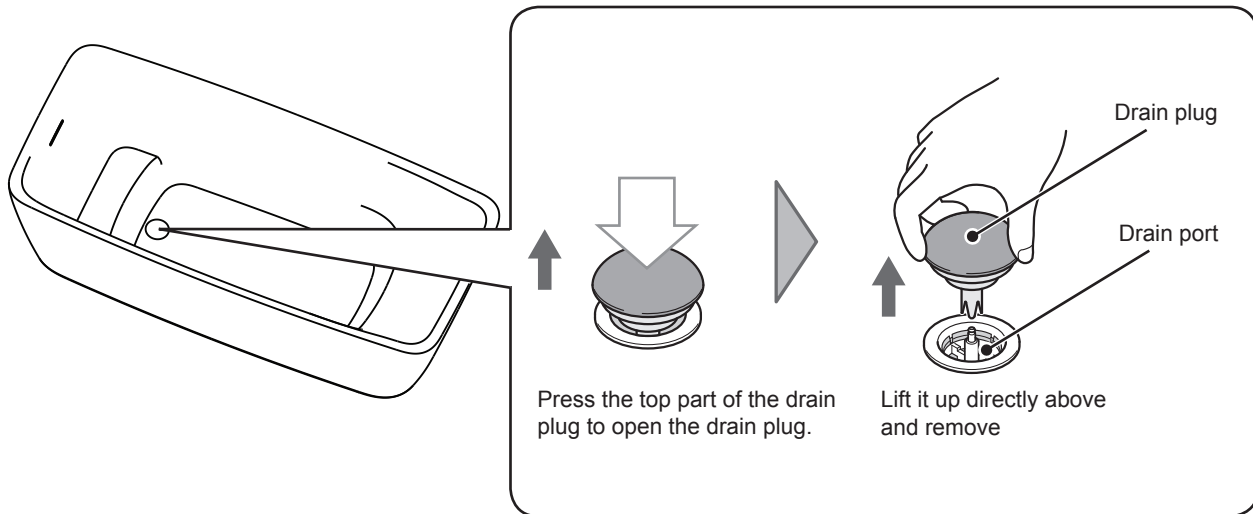


Drain plug maintenance
P.12

Drain plug

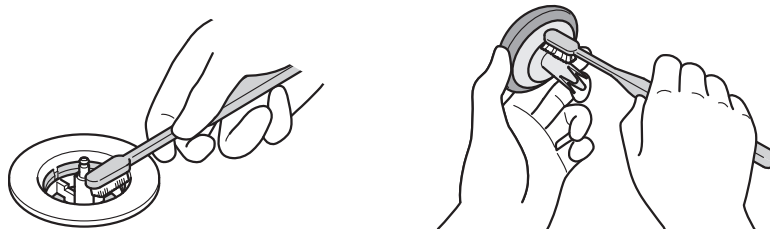
If foreign particles, hair, or residue enters the drain plug, remove it with the following procedures.

1. Remove the drain plug



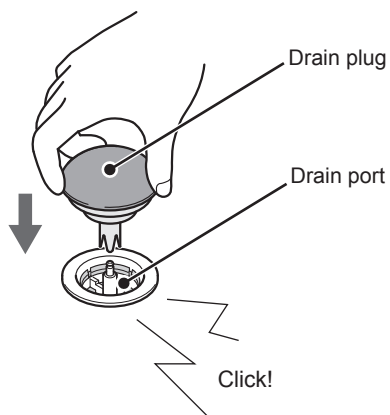
2. Clean the drain plug

- Use a brush to remove debris stuck in the drain plug or drain port and wipe it clean with a cloth.



3. Return the drain plug to where it was

- Insert the drain plug until you hear a clicking sound.
- Press the top part of the drain plug and check that it opens vertically.



WARNING



Always observe

Any other servicing should be performed by a qualified service representative.
Please contact TOTO USA, Inc.

Specifications

Item	Specifications	
	PJY1724PW	PPY1780PT
External dimensions	66-15/16" (L) × 31-1/2" (W) × 22-1/4" (H) (1700 mm (L) × 800 mm (W) × 565 mm (H))	66-15/16" (L) × 29-1/2" (W) × 22-1/16" (H) (1700 mm (L) × 750 mm (W) × 560 mm (H))
Bathtub depth	17-11/16" (450mm)	
Capacity	67.5 gallons (255 L)	53.7 gallons (203 L)
Weight	212.5 pounds (96.4 kg)	169.7 pounds (77 kg)
Materials	Artificial marble made of GFRP sandwich structure	Composed of a transparent acrylic layer on the surface, a colored layer mixed with alumina, and the back side is composed of GFRP and artificial marble
Drainage method	Normal drainage + Overflow drainage	
Drain plug	Push-operated drain plug	Push-operated overflow button
Drainage rate	19 gpm (72 L/min)	21 gpm (81 L/min)
Overflow rate	11 gpm (41 L/min)	12 gpm (44 L/min)



After-sales service

About the warranty

The instruction manual is also the warranty. Confirm the "installed store name/delivery date", read the warranty carefully, and store it in a secure location. ▶P.15

Inquiring about the product, purchasing service parts, and requesting repair

Request the dealer or contractor from whom you purchased the product. Alternatively, contact TOTO using the information on the back cover of this manual. No end-user serviceable parts.

<Contacting Us>

- Name, address, and telephone number
- Product name and date of receipt (See warranty) ▶P.15
- Malfunction details and error status
- Desired date of visit

Holding period of service parts

The minimum holding period of the service parts for this product is 7 years after the end of production. Service parts are parts that help preserve the product's functions.

Parts replacement

The parts and components removed with the free repairs will be the property of TOTO.



Bathtub Disposal

Request an authorized waste service company when disposing of this bathtub.

Separate the parts that comprise the bathtub (bathtub, function parts, and other parts).

*Observe the current environmental regulations of your country when disposing the separated parts.

TOTO

Warranty

<Warranty is valid for 3 years only>

- [1] TOTO will honor the warranty for a period of three years if the product malfunctions during normal use or maintenance. The warranty applies only to customers who have purchased the product directly.
- [2] Assuming correct installation and use of the product according to the instruction manual, TOTO will be responsible for any repairs or replacements of the product or parts verified as defective according to TOTO as per the warranty. TOTO reserves the right to investigate if it is necessary to identify the cause of the defect. TOTO will not request reimbursement for the work or parts relating to these repairs or replacements. However, TOTO cannot be held responsible for the costs of disposal of the product, the return of products or parts, or reinstallation.
- [3] A fee will be charged for the following repairs even if within the warranty period.
- (1) Accidents and damage caused by defective maintenance or failing to obey the warnings and cautions in the instruction manual.
 - (2) Accidents and damage caused by use of the product outdoors
 - (3) Accidents and damage due to repairs, disassembly, remodeling, and relocation by other than a specialist
 - (4) Accidents and damage due to defective management until the day of handover when installation is complete
 - (5) Nonconformances due to the consumption and wear of consumables (O-rings, rubber plugs, drain plug gaskets, etc., that are used daily)
 - (6) Discoloration due to wear over time, and deterioration of appearance concomitant with wear, mold, the adhesion of dirt, and use
 - (7) Damage or loss due to buildup or contamination included in the water supply system
 - (8) Malfunction and damage due to conditions (power supply, water pressure, etc.) other than those specified in the regulations
 - (9) Malfunction and damage due to accidents such as fires and explosions, force majeure such as earthquakes, water damage, lightning, and freezes, etc., pollution, gas damage (hydrogen sulfide gas, chlorine gas, etc.), salt corrosion, and voltage errors, etc.
 - (10) Malfunction and damage due to feeding water that does not conform to the potable water quality standards determined in the laws concerning waterworks, such as hot spring water and well water, etc.
 - (11) Malfunction and damage due to animals such as rats and insects, etc.
 - (12) Malfunction and damage due to freezing if the product does not have cold region specifications
 - (13) Malfunction and damage due to phenomena that could not be predicted by the technology used at the time of the contract, or accidents caused thereby
 - (14) Malfunction and damage notified after the warranty has elapsed, or that were not notified promptly after their occurrence according to the relevant parts of the warranty
 - (15) If information deemed necessary for the warranty has not been written, or the text has been rewritten
 - (16) If the warranty is not supplied
- [4] This warranty applies the specific legal rights of the customer. Further, there may also be other rights depending on the country.
- [5] To receive warranty repairs based on this document, attach a document clearly describing the details of the malfunction and transport or ship the product to the TOTO service center at your own cost, or contact your TOTO dealer, the installation store, or a TOTO vendor directly.
If the product cannot be returned to TOTO because of the dimensions of the product or for reasons of defective quality, the product shall be viewed as delivered when TOTO receives the written notice of the defect. If this applies, TOTO may either repair the product at the customer's location, or choose to pay the costs of transporting the product to the service center themselves.
- [6] This warranty will not be reissued, so store carefully so that it is not lost.
- [7] The parts and components removed with the free repairs will be the property of TOTO.

This document is the sole warranty supplied by TOTO. Repairs or replacements supplied based on this warranty are the sole legal remedy that can be used by the customer who purchased the product.

TOTO cannot be responsible in any of the following cases for losses due to the use of the product.

- Accidental, specific, or secondary damages of losses incurred by the purchaser of the product
- Construction fees or other costs concomitant with installation or removal
- The cost of third-party repairs
- Any other expenses not described above

Further, depending on the country, limits to the tacit warranty period, or exemptions or limits to incidental or secondary damage, may not be recognized, so in such cases, the aforementioned limits and exemptions shall not apply to the customer.

TOTO

TOTO U.S.A., INC.

1155 Southern Road Morrow, Georgia 30260 U.S.A.
Phone : (001) 770-282-8686
Fax : (001) 770-282-8698
<http://www.totousa.com/>

Warranty Registration and Inquiry

For product warranty registration, TOTO U.S.A. Inc. recommends On-Line Warranty Registration. Please visit our web site <http://www.totousa.com>. If you have questions regarding warranty policy or coverage, please contact TOTO U.S.A. Inc.,

Customer Service Department, 1155 Southern Road, Morrow, GA 30260 (888) 295 - 8134 or (678) 466 - 1300 when calling from outside of U.S.A.

**TOTO Do Brasil
Distribuicao e Comercio,
Ltda.**

Rua Apeninos, 429-702/703, Paraiso, Sao Paulo, SP CEP
01533-000
Phone : +55 11 3207 2565
Fax : +55 11 5185 2899
<http://www.br.toto.com/>

- You are advised to record the following information to allow quick service.

Date of purchase :	Name of shop :
Data: year month day	
	Phone :