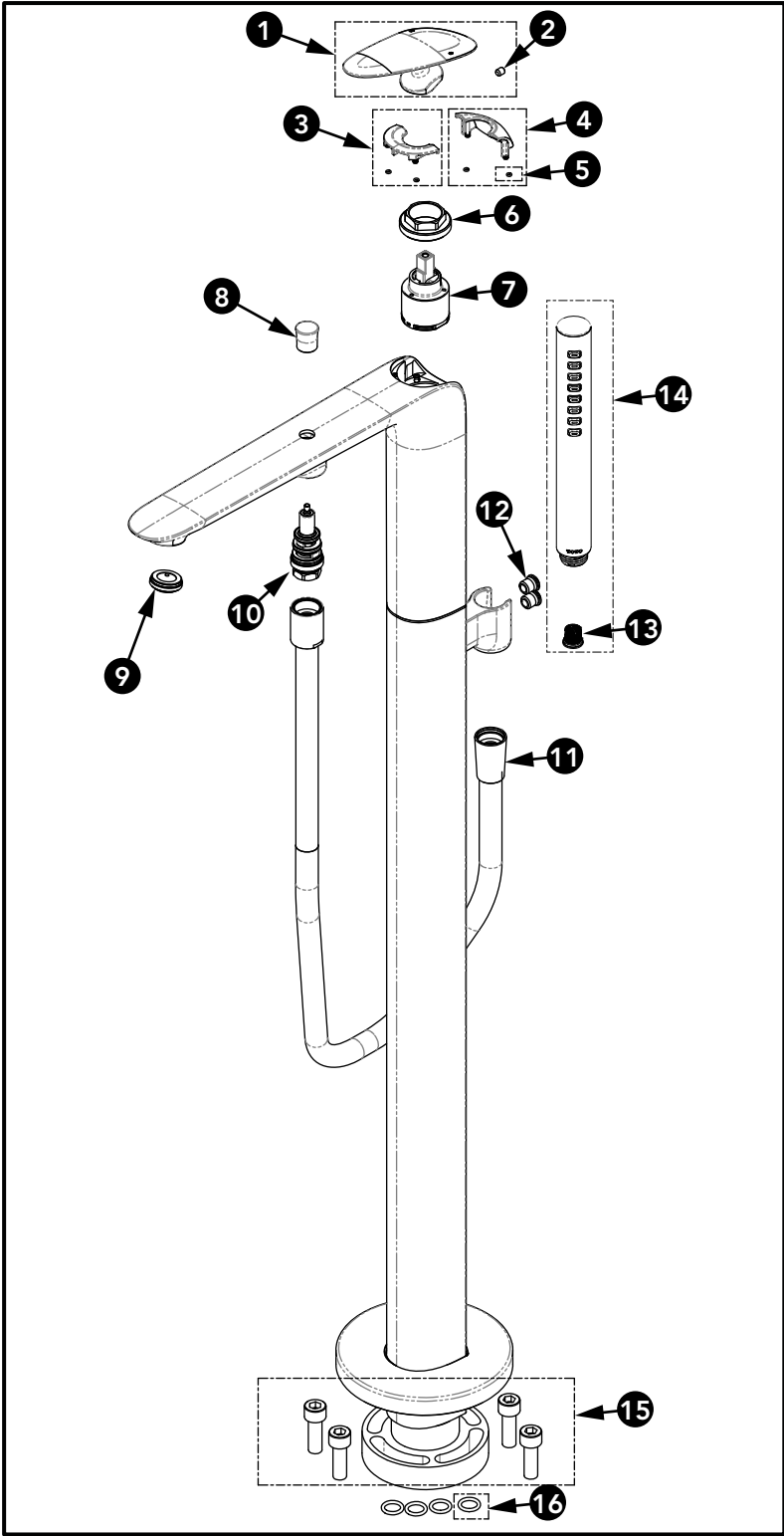


ZA Freestanding Tub Filler



Item	Part	Description
1	THP5502#CP	Handle Assembly
2	THP5110	Set Screw
3	THP5503#CP	Front Escutcheon
4	THP5504#CP	Back Escutcheon
5	THP5505	O-Ring (1pc)
6	THP5506	Valve Gland
7	THP5156	Cartridge
8	THP5507#CP	Diverter Knob
9	THP5214	Aerator
10	THP5317#CP	Diverter
11	THP5318#CP	Shower Hose
12	THP5319	Cap
13	THP5291	Filter Screen
14	TBW02016U4#CP	Hand shower
15	THP5322	Hex Screw (4pcs)
16	THP5321	O-Ring (1pc)