

NEWS: For Immediate Release

For more information contact:

Lenora Campos, Ph.D.
Manager, Public Relations
917.237.0665, Ext. 104
lcampos@totousa.com

TOTO INNOVATION

WI-TOUCH

Hands-Free Residential Faucet Remote Lets Homeowners Go with the Flow

Morrow, GA – May 1, 2009 -- Sensor faucets have become the norm in public facilities. Accustomed to this handiness, homeowners are now looking for ways to bring the convenience of these “smart” fixtures to their homes. TOTO’s new Wi-Touch is a simple, easy-to-install add-on solution that allows them to realize their desire in both the kitchen and bath.



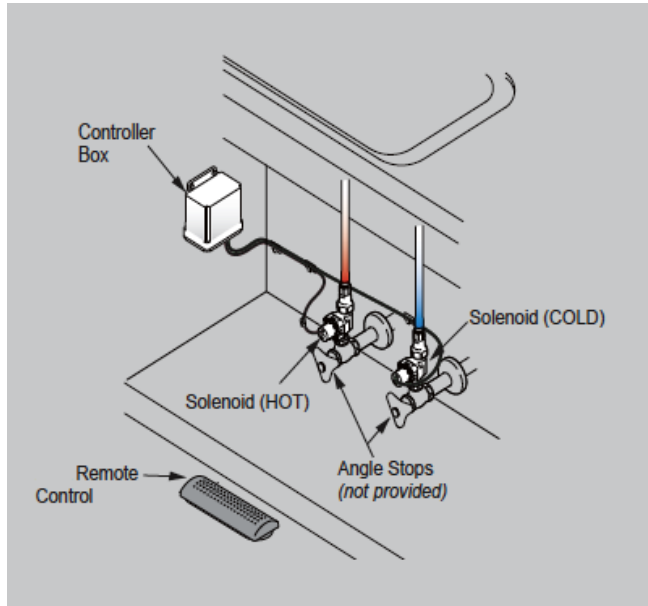
“This wireless remote control unit allows users to operate the faucet without using their hands,” said Lenora Campos, company spokesperson. “This practice not only facilitates seamlessly rinsing pots and pans in a kitchen application, it also prevents the spread of germs and bacteria to the faucet, where they can remain and be passed on to the next user.”

Homeowners can install Wi-Touch with any standard manual faucet, with or without pullout sprays, and they will love this easy-to-clean, ergonomic remote control. Wi-Touch will save money and reduce homeowners’ impact on the environment by reducing their dependence on harsh cleaning supplies. It will also help them conserve water as they may turn off the water even when their hands are occupied by other tasks.

-more-



Wi-Touch wireless remote control unit may be placed anywhere within a radius of three feet from control box – at foot, knee, or elbow levels. Wi-Touch can be added to virtually any manual bath or kitchen faucet. Its control box requires four AA batteries (included); its wireless control remote requires one lithium battery (included)



As with all TOTO products and technological innovations, high-resolution digital photos of Wi-Touch Wireless Faucet Remote Control Unit are immediately available upon request.

TOTO is the largest plumbing manufacturer in the world with over \$4.5 billion in annual sales and 80 affiliated production facilities globally. Since 1917, TOTO Ltd., Japan, has been a

pioneer in high-performance plumbing systems that bring consumers superbly designed products that are water and energy efficient. In 1989, TOTO brought its innovative technology and commitment to excellence to the US market. A full line manufacturer of luxury plumbing products that optimize healthful living, TOTO USA, INC.'s success derives from its unsurpassed commitment to quality, reliability, technological innovation, and sustainability -- a commitment that pushes the company beyond industry standards. The winner of numerous domestic and international awards and recognitions, TOTO USA is certified by ISO 14001: 2004 and ISO 9001: 2000. The only plumbing manufacturer to be honored as Water Efficiency Leader by the Environmental Protection Agency, TOTO seeks perfection by design as it continuously innovates sustainable water technologies that enhance the lives of its customers and the environment. For more information, consumers may visit www.totousa.com or call 1.888.295.8134.

###