

# INSTALLATION INSTRUCTIONS

For Toilet CST474CEF(G) / CST764S(G) / CST774S /  
CST794SF / CST794EF



Read these instructions thoroughly before beginning work.

You have purchased one of the best working toilets available today, backed by TOTO's worldwide finest reputation.

Please leave instructions for customers. These instructions contain maintenance and warranty information.

### COMMON TOOLS NEEDED:

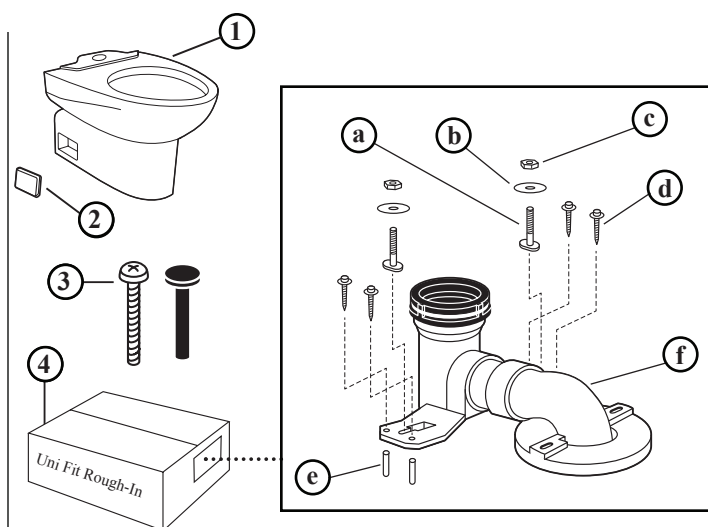
- 12" pipe wrench
- 10" adjustable wrench
- Carpenter's Level
- Tape Measure
- Plier
- Screwdriver
- Putty Knife
- Drill
- 11/64" drill bit for wood floor installation
- 5/16" drill bit for concrete/tile installation

### MATERIALS REQUIRED:

- Flexible Supply Tube / Connector
- Supply Stop Valve
- Mounting (T) Bolts & Nuts (2pc)
- Wax Ring / Seal

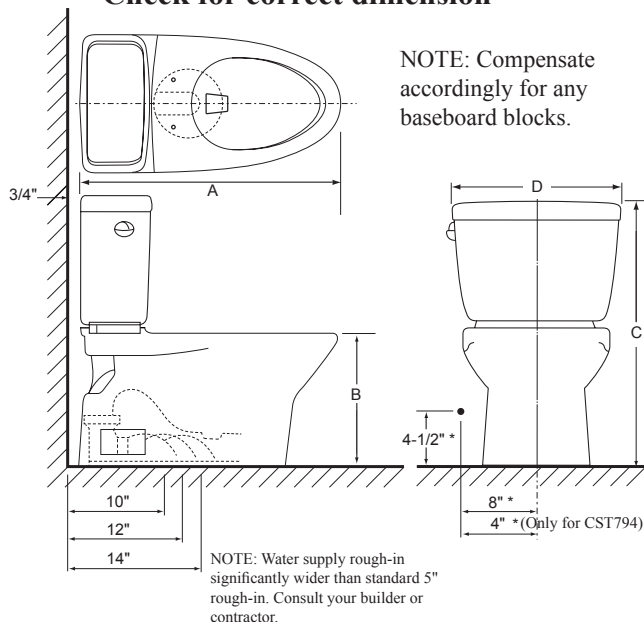
### Package Contents:

No.	Item	Quantity
1.	Vitreous China Bowl w/ Lid	1
2.	Cover Plate (NOT for CST794SF/CST794EF)	2
3.	Top Mount Bolt Set (for seat)	1
4.	Uni Fit Rough-In	1
4a.	Toilet Mounting Bolt (T-Bolt)	2
4b.	T-Bolt Washer	2
4c.	T-Bolt Nut	2
4d.	Mounting Screw w/ washer	4
4e.	Anchor	4
4f.	PVC Outlet Connection	1



Model	A	B	C	D
CST474CEF(G)	28-3/8"	16-1/8"	30"	16-1/2"
CST764S(G)	28"	15"	28-7/8"	19-3/4"
CST774S(G)	28-3/4"	15"	28-3/4"	21-5/8"
CST794(S)(E)F	28"	16-1/8"	32"	17-7/8"

### \* Check for correct dimension



NOTE: Compensate accordingly for any baseboard blocks.

NOTE: Water supply rough-in significantly wider than standard 5" rough-in. Consult your builder or contractor.

**NOTE:** Due to the powerful performance of our Cyclone, G-Max, E-Max, and Power Gravity flushing systems, they are not specified for BACK-TO BACK installations. The "only" means of installing these toilets in a BACK-TO-BACK situation is when the toilet drain connections incorporate a WYE fitting. Please contact your builder or contractor prior to this installation.

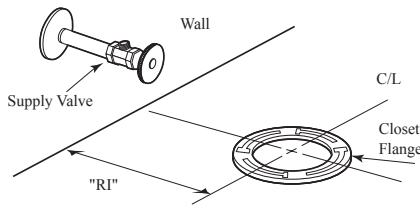


ENGLISH  
ESPAÑOL  
FRANÇAIS

## STEP 1 Piping and Rough-In Check

In order for your new TOTO toilet to fit correctly, check the dimensions below.

a) Distance between finished wall to the center of the toilet outlet, Rough-In "RI":



"RI"	Outlet Connection Part No.
12"	TSU01W.12R (Supplied)
10"	TSU01W.10R (Optional - Must be purchased separately)
14"	TSU01W.14R (Optional - Must be purchased separately)
12"	TSU02W.12 (Supplied for CST794SF/CST794EF)

Please make sure that you have the correct outlet connection part.

b) Water supply must be approximately 8in. or 10in. to the left (facing bowl) from center line of closet flange and approximately 4-½" above the floor.

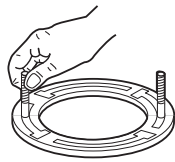
## Removing Existing Toilet (if necessary)

Turn off water supply. Flush the toilet, remove any remaining water from tank and bowl.

Disconnect water connector. Remove tank and bowl. Remove old wax seal and mounting bolts.

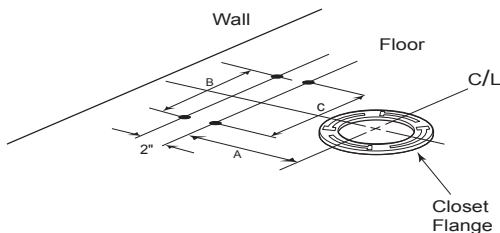
## STEP 2 Installing Mounting Bolts

Clean any debris out of the closet flange, then install the mounting bolts into the slots of the flange. The bolt should be inserted into the slot with its head down and threaded shank pointed upward.



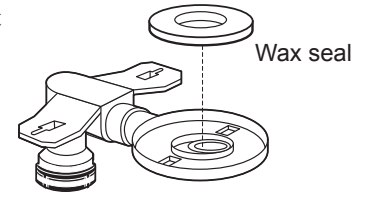
## STEP 3 Installing Outlet Connection

Drill four 11/64" holes on the floor at the location shown in the Unifit Rough-In Installation Instruction found in the Rough-In box. (5/16" holes are for concrete / tile floor anchors)



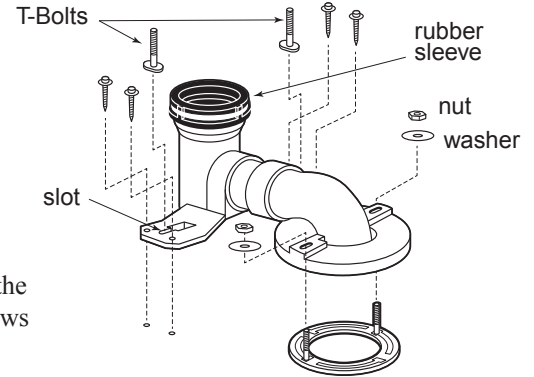
Turn the PVC outlet connection upside down. Firmly press a new wax seal onto the circular recess around the outlet opening.

Turn the outlet connection upright and lower it into position over the closet flange. With the unit properly aligned, press down firmly to set the wax seal.



CAUTION: DO NOT move the outlet connection after the wax seal is set.

Insert washers and thread nuts onto mounting bolts and hand tighten. Then tighten bolts an additional ½ turn.



Secure back side of outlet connection to the floor using the 4 screws and washers.

Insert the T-bolts into the slots with its head down and threaded shank pointed upward.

NOTE: Do not remove the white tie-wrap from rubber sleeve. Level the PVC outlet. Do not use excessive force.

## STEP 4 Tank to Bowl Mounting

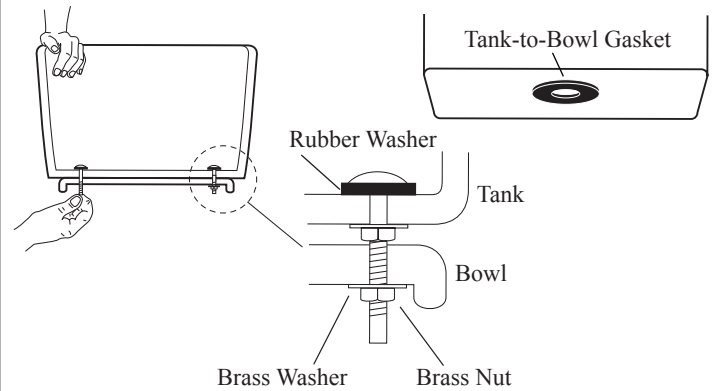
Make sure the large tank-to-bowl gasket is mounting over flush valve outlet on underside of tank.

Make sure ball cock nut and flush valve nut are tightened properly. Pick up tank and carefully guide flush valve outlet into bowl inlet on bowl inlet in bowl tank shelf.

Place washers on mounting bolts. Support tank and align mounting bolts through ½" holes in tank base and bowl mount shelf. Thread on nuts end, hand tighten before releasing the tank. Tighten nuts evenly until tank sets snug on bowl.

CAUTION: Do not over tighten nuts, damage may result.

NOTE: Do not grab the overflow tube for handling the tank.



## STEP 5 Installing Toilet

Lift the toilet and gently lower it into position over closet flange. Make sure that the spigot outlet of toilet slips into rubber sleeve and T-bolts fit through the openings in the base of toilet.

Insert washer and thread nuts on to bolts and hand tighten. Then tighten bolts an additional ½ turn. Install cover plates.

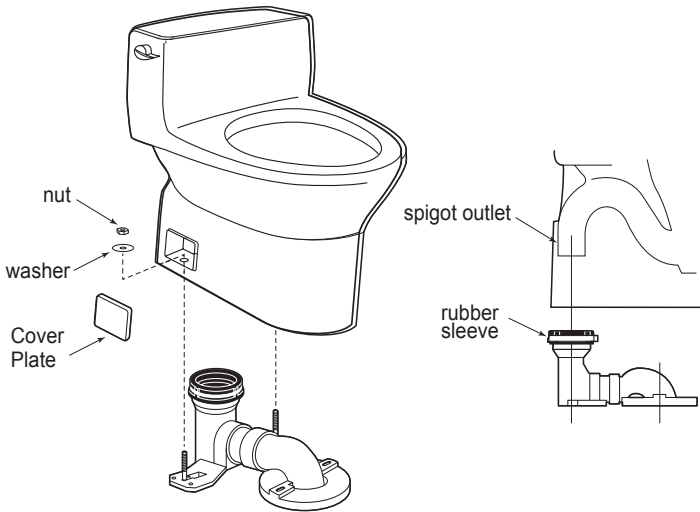
## ONE YEAR LIMITED WARRANTY

- TOTO warrants its vitreous china products to be free from defects in materials and workmanship during normal use when properly installed and serviced, for a period of one (1) year from date of purchase. This limited warranty is extended only to the ORIGINAL PURCHASER of the Product and is not transferable to any third party, including but not limited to any subsequent purchaser or owner of the Product. This warranty applies only to TOTO Product purchased and installed in North, Central and South America.
- TOTO's obligations under this warranty are limited to repair, replacement or other appropriate adjustment, at TOTO's option, of the Product or parts found to be defective in normal use, provided that such Product was properly installed, used and serviced in accordance with instructions. TOTO reserves the right to make such inspections as may be necessary in order to determine the cause of the defect. TOTO will not charge for labor or parts in connection with warranty repairs or replacements. TOTO is not responsible for the cost of removal, return and/or reinstallation of the Product.
- This warranty does not apply to the following items:
  - Damage or loss sustained in a natural calamity such as fire, earthquake, flood, thunder, electrical storm, etc.
  - Damage or loss resulting from any accident, unreasonable use, misuse, abuse, negligence, or improper care, cleaning, or maintenance of the Product.
  - Damage or loss resulting from sediments or foreign matter contained in a water system.
  - Damage or loss resulting from improper installation or from installation of the Product in a harsh and/or hazardous environment, or improper removal, repair or modification of the Product. This includes locations where the water pressure is above local codes or standards. (NOTE: Product model codes allow a maximum of 80 PSI. Check local codes or standards for requirements).
  - Damage or loss resulting from electrical surges or lightning strikes or other acts which are not the fault of TOTO or which the Product is not specified to tolerate.
  - Damage or loss resulting from normal and customary wear and tear, such as gloss reduction, scratching or fading over time due to use, cleaning practices or water or atmospheric conditions, including but not limited to, the use of bleach, alkali, acid cleaners, dry (powder) cleaners or any other abrasive cleaners or the use of metal or nylon scrubbers.
- In order for this limited warranty to be valid, proof of purchase is required. TOTO encourages warranty registration upon purchase to create a record of Product ownership at <http://www.totousa.com>. Product registration is completely voluntary and failure to register will not diminish your limited warranty rights.
- THIS WARRANTY GIVES YOU SPECIFIC LEGAL RIGHTS. YOU MAY HAVE OTHER RIGHTS WHICH VARY FROM STATE TO STATE, PROVINCE TO PROVINCE OR COUNTRY TO COUNTRY.
- To obtain warranty repair service under this warranty, you must take the Product or deliver it prepaid to a TOTO service facility together with proof of purchase (original sales receipt) and a letter stating the problem, or contact a TOTO distributor or products service contractor, or write directly to TOTO U.S.A., INC., 1155 Southern Road, Morrow, GA 30260 (888) 295 8134 or (678) 466-1300, if outside the U.S.A. If, because of the size of the Product or nature of the defect, the Product cannot be returned to TOTO, receipt by TOTO of written notice of the defect together with proof of purchase (original sales receipt) shall constitute delivery. In such case, TOTO may choose to repair the Product at the purchaser's location or pay to transport the Product to a service facility.  
 WARNING! TOTO shall not be responsible or liable for any failure of, or damage to, this Product caused by either chloramines in the treatment of public water supply or cleaners containing chlorine (calcium hypochlorite). NOTE: The use of a high concentrate chlorine or chlorine related products can seriously damage the fittings. This damage can cause leakage and serious property damage.

THIS WRITTEN WARRANTY IS THE ONLY WARRANTY MADE BY TOTO. REPAIR, REPLACEMENT OR OTHER APPROPRIATE ADJUSTMENT AS PROVIDED UNDER THIS WARRANTY SHALL BE THE EXCLUSIVE REMEDY AVAILABLE TO THE ORIGINAL PURCHASER. TOTO SHALL NOT BE RESPONSIBLE FOR LOSS OF THE PRODUCT OR FOR OTHER INCIDENTAL, SPECIAL OR CONSEQUENTIAL DAMAGES OR EXPENSES INCURRED BY THE ORIGINAL PURCHASER, OR FOR LABOR OR OTHER COSTS DUE TO INSTALLATION OR REMOVAL, OR COSTS OF REPAIRS BY OTHERS, OR FOR ANY OTHER EXPENSE NOT SPECIFICALLY STATED ABOVE. IN NO EVENT WILL TOTO'S RESPONSIBILITY EXCEED THE PURCHASE PRICE OF THE PRODUCT. EXCEPT TO THE EXTENT PROHIBITED BY APPLICABLE LAW, ANY IMPLIED WARRANTIES, INCLUDING THAT OF MERCHANTABILITY OR FITNESS FOR USE OR FOR A PARTICULAR PURPOSE, ARE EXPRESSLY DISCLAIMED. SOME STATES DO NOT ALLOW LIMITATIONS ON HOW LONG AN IMPLIED WARRANTY LASTS, OR THE EXCLUSION OR LIMITATION OF INCIDENTAL OR CONSEQUENTIAL DAMAGES, SO THE ABOVE LIMITATION AND EXCLUSION MAY NOT APPLY TO YOU.

## Replacement Parts

Model	Flapper	Fill Valve	Flush Valve	Trip Lever
CST474CEF(G)	THU	THU	TSU	THU004#XX
CST764S	THU138S	THU129Z	TSU08A.6	THU068#XX
CST774S	THU175S	THU129W-2	TSU16A	THU141#XX
CST794SF				THU164#CP
CST794EF	THU253S	THU252W-2	TSU28A	



**WARNING: DO NOT** over tighten the nuts, damage to china or plastic parts may result.

## STEP 6 Connecting Water Line

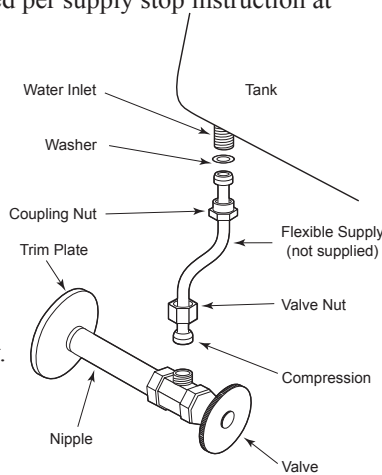
Supply stop should be installed per supply stop instruction at location shown in Step 1. Flush water line briefly to ensure removal of debris.

Connect flexible supply hose to supply stop.

**CAUTION: HAND TIGHTEN ONLY.**

Open supply stop, check for leakage. Slightly retighten if necessary.

Water Supply Pressure should be: 20 to 80 psi static.



## STEP 7 Operation

**NO BALLCOCK / FILL VALVE ADJUSTMENT NEEDED.** Water will automatically stop at proper level.

Flush toilet several times. Check flapper valve for proper operation. Make sure that chain is not tangled and flapper arm is in its proper position.

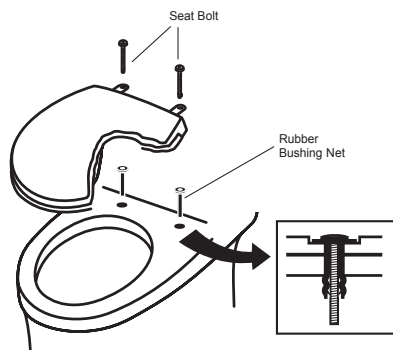
## STEP 8

Install toilet tank lid onto the toilet tank top.

## STEP 9

Install the toilet seat onto the toilet bowl. (Top Mount Bolt Set is included with the bowl). Insert rubber bushing nuts into bowl seat holes.

Note: Remove existing seat if necessary. Place seat on bowl and rotate the hinge unit into place while holding seat down on bowl. Fasten and tighten bolt from top with screwdriver. Replace bolt cap and lower lid (if necessary).



# TOILET TANK FILL VALVE INSTRUCTIONS

Cyclone® / G-Max® / E-Max® / Power Gravity®

## WARNING! DO NOT USE IN-TANK BOWL CLEANERS

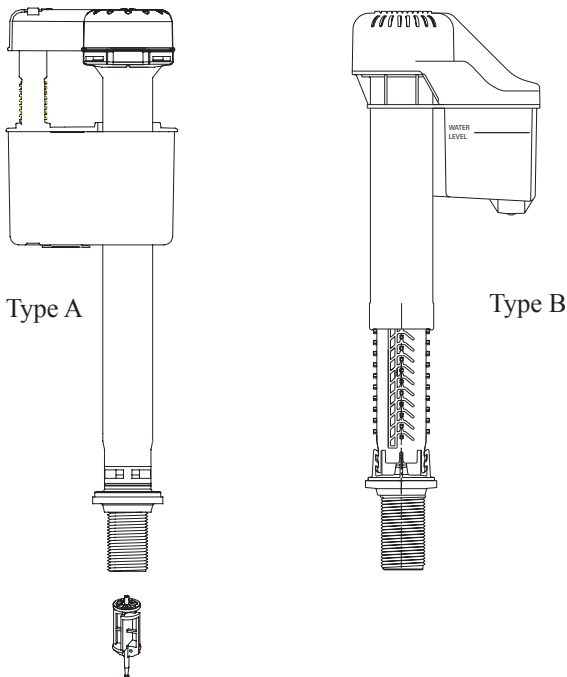
The use of high concentration of chlorine or chlorine-related products can seriously damage fittings in the tank. This damage can cause leakage and property damage. TOTO shall not be responsible or liable for any tank fitting failure or damage caused by the use of in-tank bowl cleaners.

## INSTALLATION

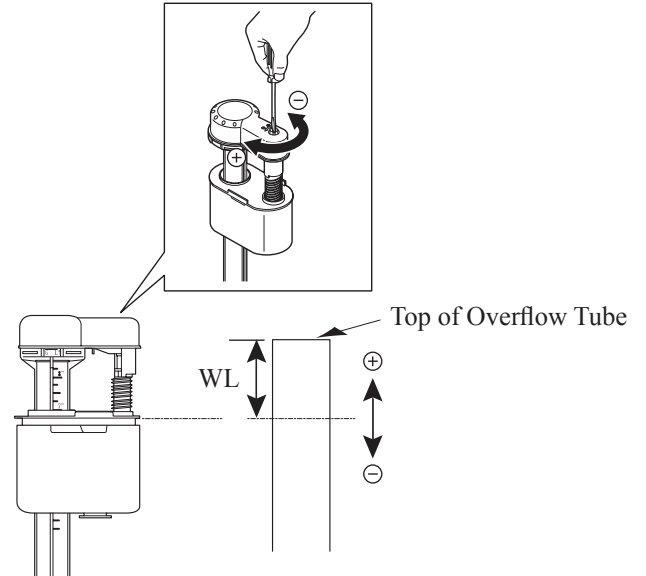
1. Shut OFF water supply to toilet.
2. Flush toilet and remove remaining water from tank with a sponge.
3. Remove the water supply connection at the fill valve.
4. Remove old fill valve and use damp sponge to clean hole in tank.
5. Place new fill valve inside tank hole.
6. Thread mounting nut onto fill valve shank and tighten nut.  
Note: DO NOT OVERTIGHTEN. Be sure to install fill valve in a position that does not interfere with the trip lever operation.
7. Connect water supply to fill valve shank and hand tighten only.  
Note: DO NOT OVERTIGHTEN. These are plastic parts.  
Never use pipe dope on any water supply connection.
8. Attach refill tube to fill valve nipple and clip other end of refill tube to the overflow pipe.
9. Turn water supply ON and check for leaks outside the tank.  
Note: As water fills the tank, water is also directed into the overflow tube via the refill tube. This additional flow of water is critical to refilling your toilet's bowl. Once the water stops filling the tank, some residual drops of water may drip from the fill valve. This is NORMAL as these drops will subside.

## WATER LEVEL ADJUSTMENT

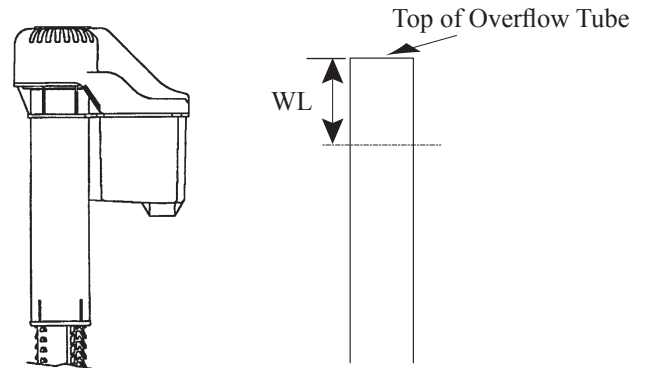
Depending on the manufacturing plant, you may have one of two of the following fill valves.



For Type A fill valve, refer to **water level (WL) setting marked on the inner wall of the tank**. Allow the water to fill the tank. Turn the adjustment screw clockwise in the (+) direction to increase the water level height. Turn the adjustment screw counter-clockwise in the (-) direction to decrease the water level height. Flush the toilet to verify the correct water level. Adjust as necessary.



For Type B fill valve, there are no water level adjustments. THE FILL VALVE HAS BEEN PRESET AT THE FACTORY.



## OPERATION (NOTE TO OWNER)

You have chosen a TOTO product that is superior in quality and craftsmanship. Our toilet flushing systems are the best in the industry. To insure that your toilet is performing correctly, always flush the toilet with a full stroke of the trip lever to activate the flushing cycle. A full stroke will guarantee that you are flushing with the power of a TOTO.

If you need advice on your installation, feel free to contact one of our Technical Support members at the number below.

TOTO USA, Inc. 1155 Southern Rd, Morrow, GA 30260  
Tel.: (888) 295-8134 • Fax (800) 699-4889  
www.totousa.com  
Printed in USA ©TOTO USA Inc.



# TOTO®

# INSTRUCCIONES PARA LA INSTALACIÓN

0GU011Z-4  
12 / 2009

Para CST474CEF(G) / CST764S(G) / CST774S /  
CST794SF / CST794EF



Lea estas instrucciones detenidamente antes de comenzar a trabajar.

Usted ha adquirido uno de los mejores inodoros disponibles en la actualidad, respaldado reputación mundial de TOTO.

Proporcione las instrucciones a los clientes. Estas instrucciones contienen información sobre el mantenimiento y la garantía.

## HERRAMIENTAS COMUNES NECESARIAS:

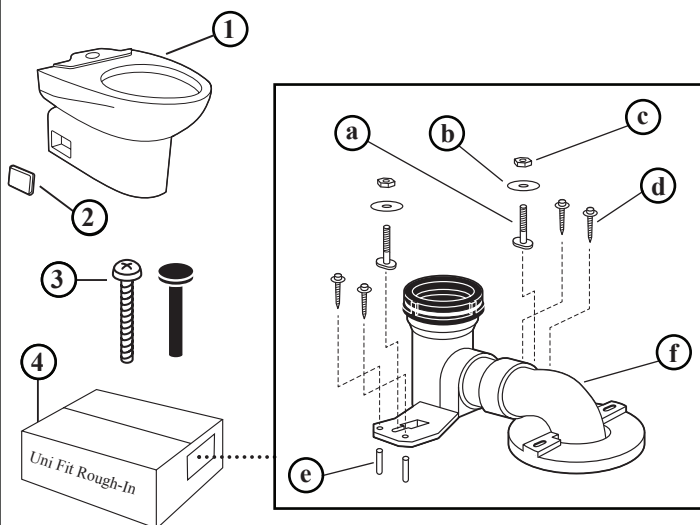
- Llave para tubería de 12 pulgadas
- Llave ajustable de 10 pulgadas
- Nivel de carpintero
- Cinta para medir
- Pinzas
- Destornillador
- Espátula para masilla
- Taladro
- Broca de  $\frac{1}{64}$ " para instalación en piso de madera
- Broca de  $\frac{5}{16}$ " para instalación del concreto/azulejo

## MATERIALES NECESARIOS:

- Tubo abastecedor/conector
- Tope de suministro
- Pernos de montaje (cantidad 2)
- Sello/anillo de cera

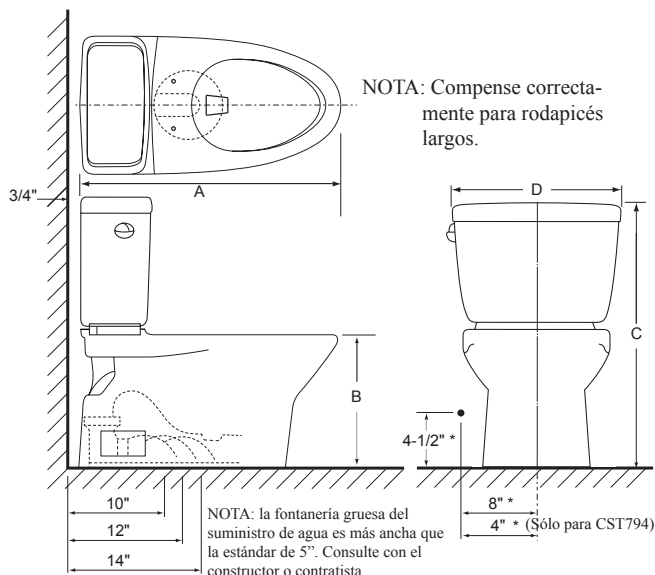
## Contenido del paquete:

Elemento	Descripción	Cantidad
1.	Recipiente de porcelana vítrea con tapa	1
2.	Placa de cubierta	2
3.	Juego de tornillos de montaje superior(para el asiento)	1
4.	Fontanería gruesa	1
4a.	Perno de montaje del inodoro	2
4b.	Arandela para perno en T	2
4c.	Tuerca para perno en T	2
4d.	Tornillo de montaje con arandela	4
4e.	Ancla	4
4f.	Conexión de salida de PVC	1



Modelo	A	B	C	D
CST474CEF(G)	28- $\frac{3}{8}$ "	16- $\frac{1}{8}$ "	30"	16- $\frac{1}{2}$ "
CST764S(G)	28"	15"	28- $\frac{7}{8}$ "	19- $\frac{3}{4}$ "
CST774S(G)	28- $\frac{3}{4}$ "	15"	28- $\frac{3}{4}$ "	21- $\frac{5}{8}$ "
CST794(S)(E)F	28"	16- $\frac{1}{8}$ "	32"	17- $\frac{7}{8}$ "

## \* Confirme las dimensiones correctas



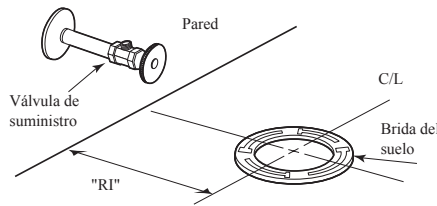
NOTA: Debido a la poderosa actuación de nuestros Cyclone® y G-Max® y E-Max® y Power Gravity® sistemas de descarga del inodoro, estos no están diseñados para ser instalados "uno detrás del otro". La "única" manera de poder instalar estos inodoros en esa posición es cuando las conexiones de drenaje incorporan una conexión "WYE". Por favor contacte a su constructor o contratista, antes de esta instalación.

**TOTO**

## PASO 1 Control de las tuberías y fontanería gruesa

A fin de que su nuevo inodoro TOTO se adapte correctamente controle las dimensiones que figuran debajo.

a) La distancia entre la pared acabada hasta el centro de la salida del inodoro, fontanería gruesa "RI":



"RI"	N° de pieza de la conexión de salida
12 pulgadas	TSU01W.12R / TSU03W.12R / TSU06W.12 (se suministra)
10 pulgadas	TSU01W.10R / TSU03W.10R (Opcional, se debe adquirir por separado)
14 pulgadas	TSU01W.14R / TSU03W.14R (Opcional, se debe adquirir por separado)
12 pulgadas	TSU02W.12 Se suministra CST794SF / CST794EF

Asegúrese de tener la parte de conexión de salida correcta.

b) El suministro de agua debe estar a aproximadamente 8 ó 10 pulgadas (mirando de frente al recipiente) desde la línea del centro de la brida del suelo y 4-½ pulgadas por encima del piso.

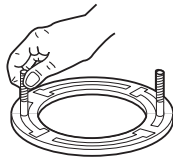
### Retiro del inodoro existente (si fuera necesario)

Cierre el suministro de agua. Tire la cadena, retire toda el agua restante del tanque y del recipiente.

Desconecte el conector de agua. Retire el tanque y el recipiente. Retire los pernos de montaje y anillo de cera antiguos.

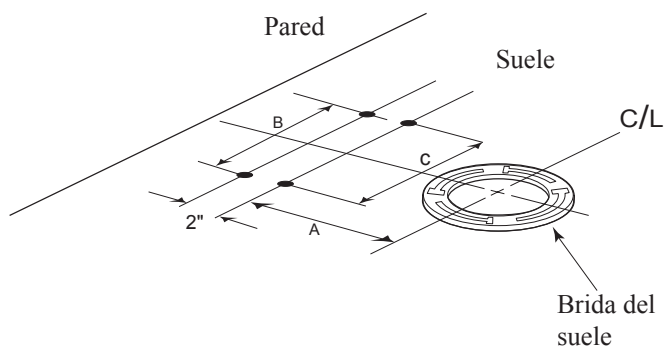
### PASO 2 Instalación de los pernos de montaje

Limpie la suciedad de la brida del suelo, luego instale los pernos de montaje en las ranuras de la brida. El perno debe insertarse en la ranura con la cabeza hacia abajo y el vástago roscado apuntando hacia arriba.



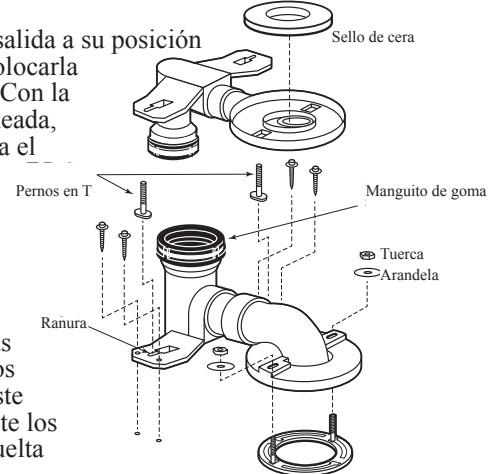
### PASO 3 Instalación de la conexión de la salida

Drill four 11/64" holes on the floor at the location shown in the Unifit Rough-In Installation Instruction found in the Rough-In box. (5/16" holes are for concrete / tile floor anchors)



Voltee la conexión de salida de PVC de tal forma que la parte superior quede mirando hacia abajo. Presione firmemente un nuevo sello de cera sobre el encastre circular alrededor de la apertura de la salida.

Regrese la conexión de salida a su posición original y bájela hasta colocarla sobre la brida del suelo. Con la unidad debidamente alineada, presione firmemente para el sello de cera.



**PRECAUCIÓN:** NO mueva la conexión de salida una vez que fijó el sello de cera.

Inserte las arandelas u las tuercas roscadas sobre los pernos de montaje y ajuste con la mano. Luego ajuste los pernos con una media vuelta adicional.

Asegure la parte posterior de la conexión de salida al piso utilizando 4 tornillos y arandelas.

Inserte los pernos en T en las ranuras con las cabezas hacia abajo y los vástagos roscados apuntando hacia arriba.

**NOTA:** no retire la banda de sujeción blanca del manguito de goma. Nivele la salida de PVC. No emplee demasiada fuerza.

### PASO 4 Montaje del tanque en el recipiente

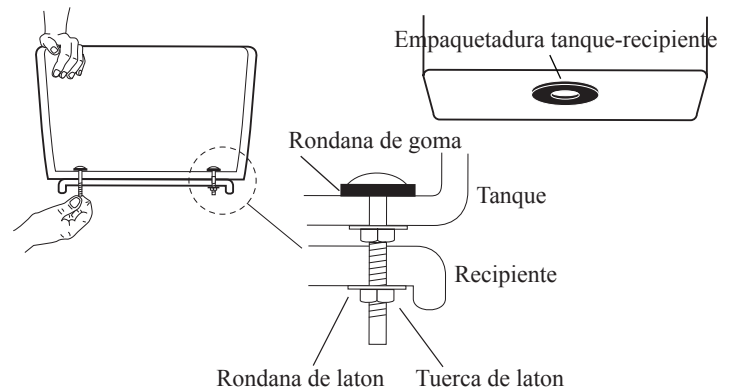
Asegúrese de que la empaquetadura entre el tanque y el recipiente este montada sobre la válvula de vaciado del lado del tanque.

Asegúrese que la tuerca del flotador y la tuerca de la válvula de vaciado estén correctamente apretadas. Levante el tanque y cuidadosamente guíe la salida de la válvula de vaciado a través de la entrada del recipiente que se encuentra en el soporte del tanque del recipiente.

Instale las rondanas en los pernos de montaje. Sostenga el tanque y alinee los pernos de montaje a través de los orificios de 1/2 pulgada en la base del tanque y en el soporte del tanque del recipiente. Enrosque completamente las tuercas con la mano antes de descargar el tanque. Aprete las tuercas uniformemente hasta que el tanque se apoye ajustadamente en el recipiente.

**ADVERTENCIA:** NO ajuste demasiado las tuercas, podría ocasionar daños en la porcelana.

**NOTA:** No agarre el tubo de desaguar para maniobrar el tanque.



### PASO 4 Instalación del inodoro

Levante el inodoro y suavemente bájelo hasta colocarlo sobre la brida del suelo. Asegúrese de que la salida de la espiga del inodoro se desplace en el manguito de goma y que los pernos en T se ajusten a través de las aperturas en la base del inodoro.

Inserte las arandelas y las tuercas roscadas sobre los pernos de montaje y ajuste con la mano. Luego ajuste los pernos con una media vuelta adicional. Instale las placas de cubierta.

## GARANTÍA LIMITADA POR UNO AÑO

- TOTO garantiza que su vitreos china producto no presenta defectos en sus materiales ni de fabricación durante su uso normal cuando es instalado y mantenido adecuadamente, por un periodo de uno (1) año(s) a partir de la fecha de compra. Esta garantía limitada es válida solamente para el COMPRADOR ORIGINAL del Producto y no es transferible a una tercera persona, incluyendo, pero sin limitarse a, cualquier comprador o propietario subsecuente del Producto. Esta garantía aplica solamente al Producto TOTO comprado e instalado en América del Norte, Central, Latina y del Sur.
- Las obligaciones de TOTO bajo esta garantía se limitan a la reparación, cambio o cualquier otro ajuste, a petición de TOTO, del Producto o partes que resulten defectuosas en su uso normal, siempre que dicho Producto haya sido instalado, utilizado y mantenido de acuerdo con las instrucciones. TOTO se reserve el derecho de hacer tantas inspecciones como sean necesarias para determinar la causa del defecto. TOTO no cobrará por la mano de obra o partes relacionadas con las reparaciones o cambios garantizados. TOTO no es responsable por el costo de la remoción, devolución y/o reinstalación del Producto.
- Esta garantía no aplica en los siguientes casos:
  - Daño o pérdida ocurrida en un desastre natural, tal como: incendio, sismo, inundación, relámpago, tormenta eléctrica, etc
  - Daño o pérdida resultado de cualquier accidente, uso inaceptable, mal uso, abuso, negligencia o cuidado, limpieza o mantenimiento inadecuado del Producto.
  - Daño o pérdida causada por los sedimentos o material extraña contenida en un sistema de agua.
  - Daño o pérdida causada por una mala instalación o por la instalación del Producto en un ambiente duro y/o peligroso, o una remoción, reparación o modificación inadecuada del Producto.
  - Daño o pérdida causada por sobrecargas eléctricas o rayos u otros actos que no sea responsabilidad de TOTO o que el Producto no esté especificado para tolerar.
  - Daño o pérdida causada por el uso normal y personalizado, tal como reducción del brillo, rayado o pérdida de color en el tiempo debido al uso, prácticas de limpieza o condiciones del agua o atmosféricas.
- Para que esta garantía limitada sea válida, prueba de compra es necesaria. TOTO anima el registro de la garantía sobre compra para cree un archivo de la propiedad del producto en <http://www.totousa.com>. El registro del producto es totalmente voluntario y la falta a registrar no disminuirá sus derechos de garantía limitada.
- ESTA GARANTÍA LE DA DERECHOS LEGALES ESPECÍFICOS. USTED PODRÍA TENER OTROS DERECHOS QUE PUEDEN VARIAR DEPENDIENDO DEL ESTADO O PROVINCIA EN EL QUE SE ENCUENTRE.
- Para obtener el servicio de reparación de esta garantía, debe llevar el Producto o enviarlo prepagado a un modulo de servicios TOTO junto con la prueba de compra (recibo de compra original) y una carta en la que plantee el problema, o póngase en contacto con un distribuidor TOTO o el contratista de servicio de los productos, o escriba directamente a TOTO U.S.A., INC., 1155 Southern Road, Morrow, GA 30260 (888) 295 8134 o (678) 466-1300, si fuera de los E.E.U.U. Si, debido al tamaño del producto o naturaleza del defecto, el Producto no puede ser devuelto a TOTO, la recepción en TOTO del aviso escrito del defecto junto con la prueba de compra (recibo de compra original) constituirá el envío. En tal caso, TOTO podrá escoger entre reparar el Producto en el domicilio del comprador o pagar el transporte del Producto a un módulo de servicio.

ESTA GARANTÍA ESCRITA ES LA ÚNICA GARANTÍA HECHA POR TOTO. LA REPARACIÓN, CAMBIO U OTRO AJUSTE ADECUADO, TAL COMO APARECE EN ESTA GARANTÍA, SERÁ EL ÚNICO REMEDIO DISPONIBLE PARA EL COMPRADOR ORIGINAL. TOTO NO SERÁ RESPONSABLE POR LA PÉRDIDA DEL PRODUCTO O POR CUALQUIER OTRO DAÑO ACCIDENTAL, ESPECIAL O CONSECUENTE O POR DAÑOS INCURRIDOS POR EL COMPRADOR ORIGINAL, O POR LA MANO DE OBRA U OTROS COSTOS RELACIONADOS CON LA INSTALACIÓN O REMOCIÓN, O COSTOS DE REPARACIONES HECHAS POR OTROS, O POR CUALQUIER OTRO GASTO NO INDICADO DE MANERA ESPECÍFICA EN LOS PÁRRAFOS ANTERIORES. EN NINGÚN CASO LA RESPONSABILIDAD DE TOTO EXCEDERÁ EL PRECIO DE COMPRA DEL PRODUCTO, EXCEPTO EN LA MEDIDA EN QUE QUEDA PROHIBIDO POR LA LEY APLICABLE, TODA GARANTÍA IMPLÍCITA, INCLUYENDO AQUELLAS DE COMERCIABILIDAD O IDONEIDAD DE USO PARA EL USO O PARA UN PROPOSITO PARTICULAR, ESTÁ EXPRESAMENTE PROHIBIDA. ALGUNOS ESTADOS NO PERMITEN LAS LIMITACIONES ACERCA DE LA DURACIÓN DE UNA GARANTÍA TÁCITA, O LA EXCLUSIÓN O LIMITACIÓN DE DAÑOS INCIDENTALES O CONSECUENTES, POR LO QUE LA LIMITACIÓN E INCLUSIÓN ANTERIORES PUEDEN NO APLICAR A USTED.

AVISO TOTO no será responsable de fallas o daños ocasionados en este producto de plomería o componente del producto causados por cloraminas en el tratamiento del suministro de agua público o en los limpiadores en el recipiente del tanque que contengan cloro (hipoclorito de calcio). Nota: el uso de cloro en alta concentración o productos derivados del cloro puede dañar seriamente los accesorios. Este daño puede ocasionar fugas y daños graves en la propiedad. Para obtener más información, llámenos al (888) 295-8134.

## Repuestos

Modelo	Tapón	Válvula de llenado	Válvula de la cisterna	Palanca de descarga
CST474CEF(G)	THU	THU	TSU	THU004#XX
CST764S	THU138S	THU129Z	TSU08A.6	THU068#XX
CST774S	THU175S	THU129W-2	TSU16A	THU141#XX
CST794SF				THU164#CP
CST794EF	THU253S	THU252W-2	TSU28A	



**ADVERTENCIA:** NO ajuste demasiado las tuercas, podría ocasionar daños en la porcelana o en las piezas plásticas.

## PASO 6 Conexión de línea de agua

El tope de suministro debe instalarse de acuerdo con las instrucciones para el tope de suministro en la ubicación, tal como se muestra en el Paso 1.

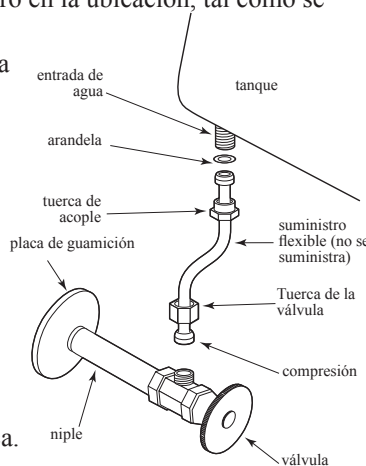
Tire la cadena brevemente para asegurarse de que no quede suciedad.

Conecte el suministro flexible al tope de suministro.

**PRECAUCIÓN: APRIETE A MANO SOLAMENTE.**

Abra el tope de suministro, verifique que no haya fugas, Vuela a ajustar un poco, si fuera necesario.

Suministro de agua la presión debe ser de: 20 a 80 psi estática.



## PASO 7 Operación

NO ES NECESARIO AJUSTAR LA VÁLVULA DE RELLENO/LLAVE DE FLOTADOR.

El agua se detendrá al nivel apropiado de forma automática. Tire la cadena varia veces. Controle que la válvula de la cisterna funcione adecuadamente. Asegúrese de que la cadena no esté enredada y que el brazo de la cisterna se encuentre en la posición correcta.

## PASO 8

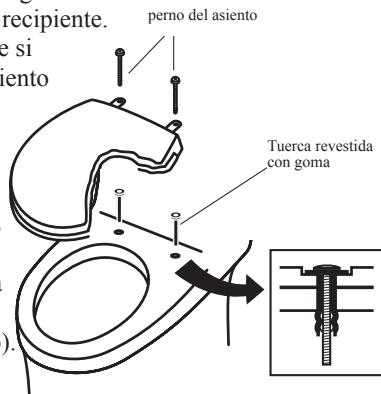
Instale la tapa del tanque del inodoro sobre la parte superior del tanque del inodoro.

## PASO 9

Instale el asiento del inodoro sobre el recipiente del mismo, (Se incluye el conjunto de pernos de montaje superior con el recipiente).

Inserte las tuercas revestidas de goma en los orificios del asiento del recipiente.

Nota: retire el asiento existente si fuera necesario. Coloque el asiento sobre el recipiente y gire la unidad de charnelas hasta alcanzar la ubicación correcta mientras sostiene el asiento contra el recipiente. Ajuste los pernos desde la parte superior con el destornillador. Vuelva a colocar la tapa del perno y baje la tapa (si fuera necesario).



## INSTRUCCIONES PARA LA INSTALACIÓN DE LA VÁLVULA DE LLENADO DEL TANQUE DE LA CISTERNA Cyclone® / G-Max® / E-Max® / Power Gravity®

### AVISO: NO UTILICE LIMPIADORES EN EL RECIPIENTE DEL TANQUE

El uso de cloro en alta concentración o productos derivados del cloro puede dañar seriamente los accesorios en el tanque. Este daño puede ocasionar fugas y daños en la propiedad. • TOTO® no se hará responsable por fallas o daños en los accesorios del tanque causados por el uso de limpiadores en el recipiente del tanque.

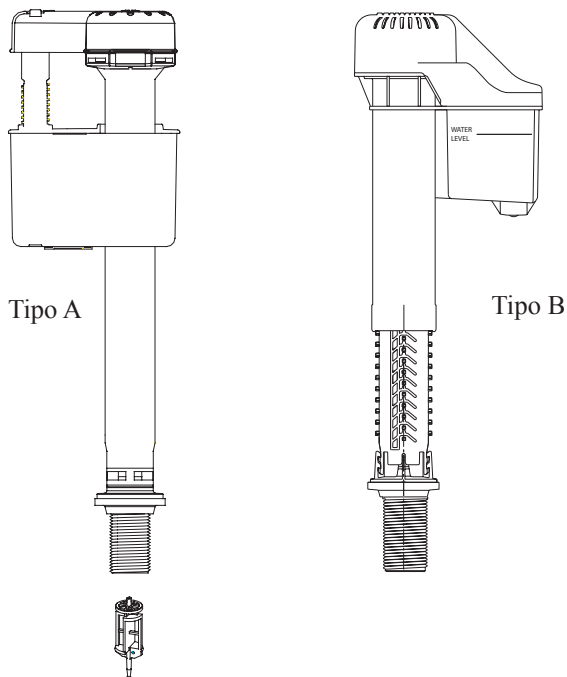
### INSTALACIÓN

1. CIERRE el suministro de agua al excusado.
2. Tire la cadena y retire el agua restante del tanque con una esponja.
3. Quite la conexión del suministro de agua de la válvula de llenado.
4. Quite la válvula de llenado anterior y utilice la esponja húmeda para limpiar el orificio del tanque.
5. Coloque la válvula de llenado nueva en el orificio del tanque.
6. Enrosque la tuerca de montaje en el vástago de la válvula de llenado y ajuste la tuerca.  
Nota: NO AJUSTE DEMASIADO. Asegúrese de instalar la válvula de llenado en una posición que no interfiera con el funcionamiento de la palanca de descarga.
7. Conecte el suministro de agua al vástago de la válvula de llenado y sólo ajústelo manualmente.  
Nota: NO AJUSTE DEMASIADO. Éstas son piezas plásticas. No utilice lubricante en ninguna conexión de suministro de agua.
8. Conecte el tubo de relleno al niple de la válvula y sujete el otro extremo del tubo de relleno al tubo de desagüe.
9. ABRA el suministro de agua y verifique que no haya pérdida de agua fuera del tanque.

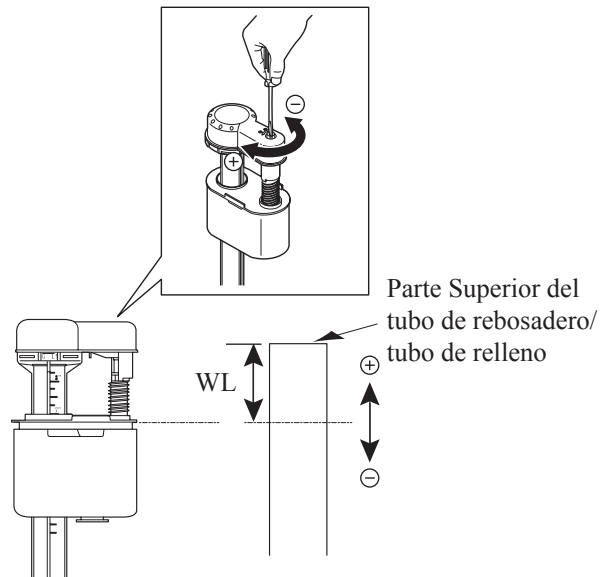
Nota: A medida que el agua llene el tanque, también será derivada al tubo de desagüe a través del tubo de relleno. Este flujo de agua adicional es fundamental para rellenar el recipiente del excusado. Una vez que el tanque está lleno y el suministro de agua se interrumpe, es probable que caigan algunas gotas de agua residual de la válvula de llenado. Esto es NORMAL y las gotas dejarán de caer.

### AJUSTE DEL NIVEL DEL AGUA

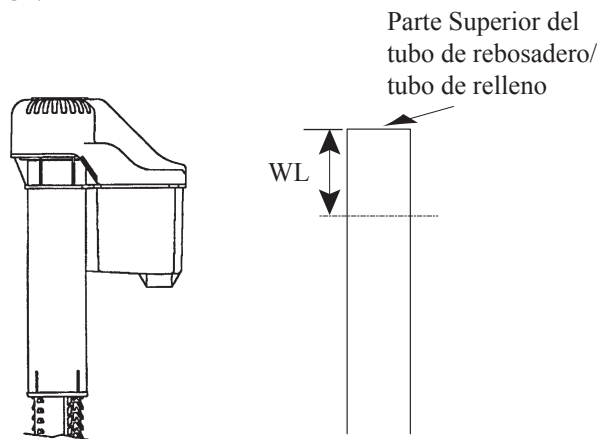
Dependiendo de la planta de fabricación, usted debe tener una o ambas de las siguientes válvulas de llenado.



Para una válvula de llenado tipo A, refiera a la marca para el nivel de agua (WL) en la pared interior del tanque. Permita que el agua llene el tanque. Gire el tornillo de ajuste en el sentido de las agujas del reloj en la dirección (+) para aumentar la altura del nivel del agua. Gire el tornillo en sentido contrario a las agujas del reloj en la dirección (-) para disminuir la altura del nivel del agua. Tire la cadena para verificar el nivel correcto del ajuste si es necesario.



Para la válvula tipo B, no hay ajustes de niveles de agua. LA VÁLVULA DE LLENADO SE HA PREDETERMINADO DE FÁBRICA.



### OPERACIÓN (NOTA AL PROPIETARIO)

Ha elegido un producto TOTO que es superior en calidad y mano de obra. Nuestros sistemas de descarga de agua para excusados son los mejores de la industria. Para asegurar el buen funcionamiento de su excusado, siempre tire la cadena haciendo que la palanca de descarga realice la descarga completa para activar el ciclo de descarga. La descarga completa garantizará que la descarga se realice con la fuerza de un producto TOTO.

Si necesita ayuda con su instalación, no dude en comunicarse con uno de los integrantes de nuestro Servicio Técnico a los siguientes números.

TOTO USA, Inc. 1155 Southern Rd, Morrow, GA 30260  
Tel.: (888) 295-8134 • Fax (800) 699-4889  
www.totousa.com  
Printed in USA ©TOTO USA Inc.



**TOTO**

# INSTRUCTIONS D'INSTALLATION

0GU011Z-4  
12 / 2009

Pour CST474CEF(G) / CST764S(G) / CST774S /  
CST794SF / CST794EF



Lisez attentivement ces instructions avant toute installation.

Vous venez de faire l'acquisition d'un des meilleurs toilettes disponibles sur le marché actuel, garantie par la renommée mondiale de TOTO.

Mettez la notice d'utilisation à l'attention des clients de côté. Ces instructions comprennent des informations relatives à l'entretien et à la garantie.

## OUTILS NECESSAIRES:

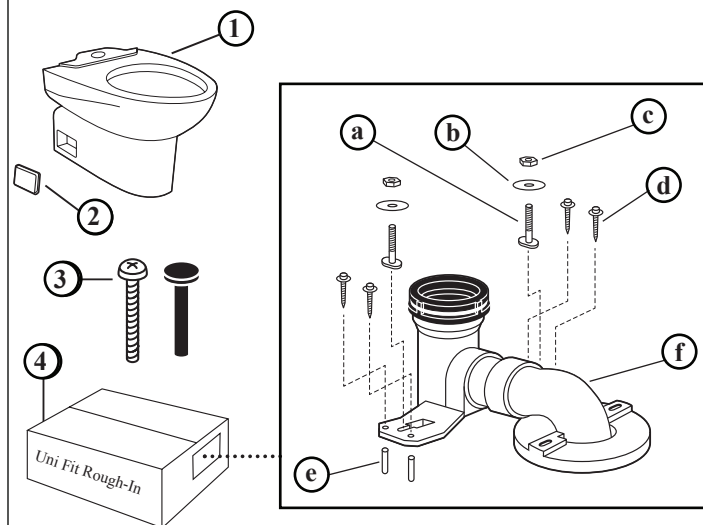
- Clé à tube de 12 po.
- Clé à molette de 10 po.
- Niveau à bulle d'air
- Mètre à ruban
- Pince
- Tournevis
- Couteau à mastiquer
- Perceuse
- Foret de 11/64" pour installation sur parquet
- Foret de 5/16" pour installation sur sol en béton/carrelage

## MATERIEL REQUIS:

- Tuyau d'alimentation / raccord
- Robinet d'arrêt
- Boulons de montage (2)
- Rondelle en caoutchouc / joint

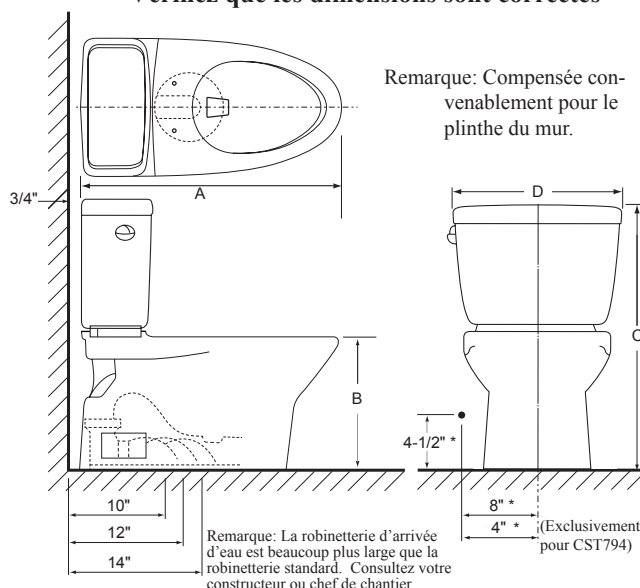
## Contenu de l'emballage:

Article	Description	Quantité
1.	Cuvette avec couvercle en porcelaine vitrifiée	1
2.	Cache	2
3.	Ensemble écrou de montage supérieur (pour la lunette)	1
4.	Robinetterie UniFit Roughin	1
4a.	Boulon de montage des toilettes(boulon en T)	2
4b.	Rondelle du boulon en T	2
4c.	Ecrou du boulon en T	2
4d.	Vis de montage avec rondelle	4
4e.	Ancrage	4
4f.	Raccord de sortie en PVC	1



Modèle	A	B	C	D
CST474CEF(G)	28-3/8"	16-1/8"	30"	16-1/2"
CST764S(G)	28"	15"	28-7/8"	19-3/4"
CST774S(G)	28-3/4"	15"	28-3/4"	21-5/8"
CST794(S)(E)F	28"	16-1/8"	32"	17-7/8"

### \* Vérifiez que les dimensions sont correctes



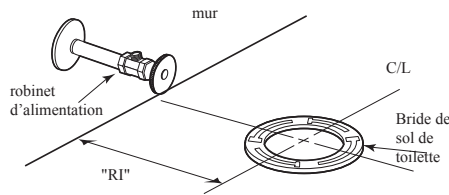
**Remarque:** Due à la puissante performance de nos systèmes de chasse d'eau Cyclone®, G-Max®, E-Max®, Power Gravity®, qui ne sont pas spécifiés pour une installation Dos-à-dos. La seule façon d'installer ces WC Dos-à-dos, est lorsque l'égoût de connexion du cabinet inclus un élément WYE. Prendre soin de contacter votre constructeur ou l'entrepreneur avant toute installation.

**TOTO**

## ETAPE 1 Vérification des canalisations et robinetterie

Afin que votre nouvelle toilette TOTO s'adapte correctement, vérifiez les dimensions ci-dessous.

a) Distance entre le mur fini et le centre de la sortie du toilette, Robinetterie "RI":



"RI"	Raccord de sortie pièce N°.
30,48cm 12 pouces	TSU01W.12R / TSU03W.12R / TSU06W.12 (fourni)
25,40cm 10pouces	TSU01W.10R / TSU03W.10R (facultatif - vendu séparément)
35,56cm 14pouces	TSU01W.14R / TSU03W.14R (facultatif - vendu séparément)
30,48cm 12 pouces	TSU02W.12 (Fourni CST794SF / CST794EF)

Vérifiez que vous avez la bonne pièce de raccord de sortie.

b) L'alimentation en eau doit se situer à environ 8 po. ou 10 po. (face à la cuvette) depuis la ligne centrale de la bride de sol et à environ 4-1/2 po. au-dessus du sol.

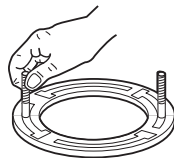
### Désinstaller le toilette existante (si nécessaire)

Coupez l'alimentation en eau. Tirez la chasse d'eau du toilette, évacuez l'eau qui reste dans le réservoir et la cuvette.

Débranchez le raccord d'eau. Retirez le réservoir et la cuvette. Retirez l'ancien joint en caoutchouc et les anciens boulons de montage.

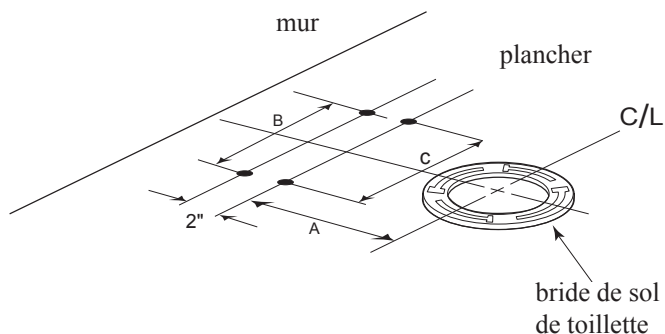
### ETAPE 2 Installer les boulons de montage

Nettoyez la bride de sol puis installez les boulons de montage dans les orifices de la bride. Les boulons doivent être insérés dans la fente tête en bas et tige filetée dirigée vers le haut.



### ETAPE 3 Installer le raccord de sortie

Percez quatre trous de 11/64 po. dans le plancher suivant l'instruction d'installation de robinetterie inclus dans la boîte. (trous de 5/16 po. pour les carreaux ceramic et ancrés pour plancher en béton)



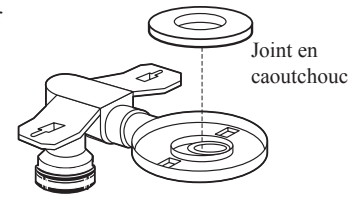
Retournez le raccord de sortie en PVC. Pressez fermement un nouveau joint en caoutchouc sur la gorge circulaire autour de l'ouverture de la sortie.

Tournez le raccord de sortie vers l'endroit et posez-le bien en position sur la bride de sol. Pressez fermement sur le joint en caoutchouc afin de le positionner correctement.

ATTENTION: DO NOT bouger le raccord de sortie après avoir fixé le joint en caoutchouc.

Insérez les rondelles et les écrous sur les boulons de montage; serrez manuellement.

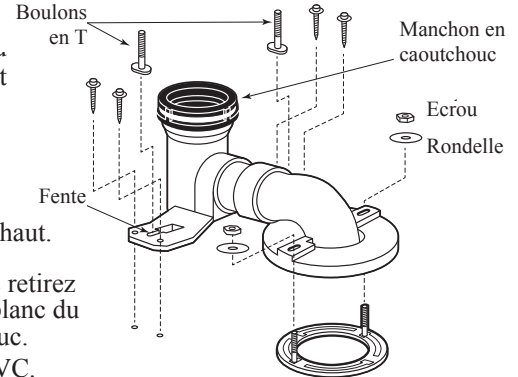
Puis serrez les boulons d'un demi tour supplémentaire.



Fixez la partie arrière du raccord de sortie au sol à l'aide des 4 vis et rondelles.

Insérez les boulons en T dans les fentes tête en bas et pointe filetée tournée vers le haut.

REMARQUE: Ne pas retirer le collier serre-câble blanc du manchon en caoutchouc. Nivelez la sortie en PVC.



### ETAPE 4 Montage du Réservoir Sur la Cuvette.

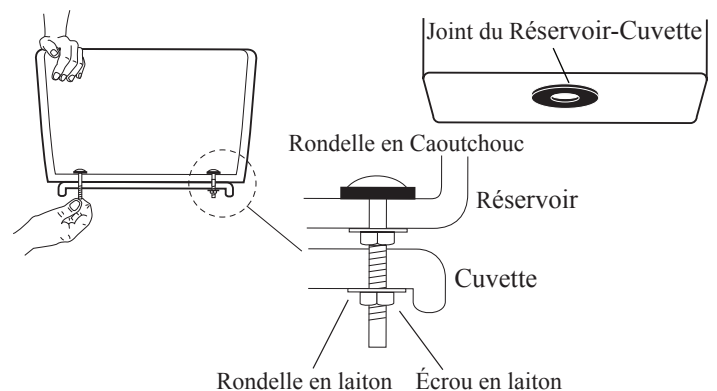
Rassurez-vous que le grand joint du réservoir-cuvette est bien monté sur la sortie de la chasse d'eau en dessous du réservoir.

Prenez soin de fixer correctement la soupape à flotteur et la soupape de vidange. Soulevez le réservoir, et soigneusement dirigez la sortie de la soupape de vidange dans l'entrée de la cuvette au niveau de la plaque de support cuvette-réservoir.

Placez les rondelles sur les boulons de montage. Tenez le réservoir et alignez les boulons de montage sur les trous de 1/2", situés sur le support de la base du réservoir et de la cuvette. Enfilez les bouts des écrous, et serrez à la main avant de relâcher le réservoir. Serrez également l'écrou jusqu'à ce le réservoir se stabilise sur la cuvette.

ATTENTION: Ne pas trop serrez les écrous, cela peut endommager la porcelaine.

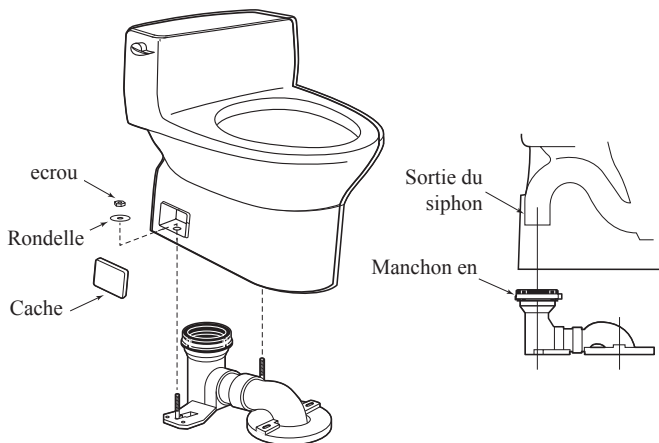
REMARQUE: Ne pas saisir le tuyau de trop-plein par la manipulation du réservoir.



### ETAPE 4 Installer la toilette

Soulevez la toilette et la baisser délicatement sur la bride de sol. Assurez-vous que la sortie du bout mâle du toilette glisse dans le manchon en caoutchouc et que les boulons en T entrent dans les ouvertures situées sur la base du toilette.

Insérez les rondelles et les écrous sur les boulons puis serrez manuellement. Serrez les boulons d'1/2 tour supplémentaire. Installez les caches.



**ATTENTION: NE PAS trop visser les écrous au risque d'endommager la porcelaine ou les pièces en plastique.**

### ETAPE 5 Raccorder la conduite d'eau

Le robinet d'arrêt doit être installé suivant les instructions relatives au robinet d'arrêt à l'emplacement mentionné dans l'étape 1.

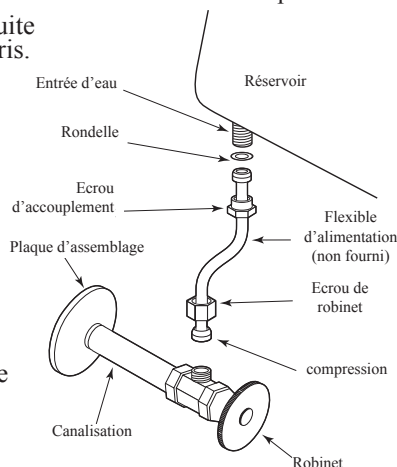
Chassez légèrement la conduite d'eau afin d'évacuer les débris.

Raccordez le flexible d'alimentation au robinet d'arrêt.

**ATTENTION: SERREZ À LA MAIN SEULEMENT.**

Ouvrez le robinet d'arrêt, vérifiez qu'il n'y a pas de fuite. Resserez légèrement si nécessaire.

La pression de l'eau doit être statique et comprise entre 1,40 et 5,50 bars.



### ETAPE 6 Fonctionnement

AUCUN REGALGE DU ROBINET A FLOTTEUR / DE REMPLISSAGE EST NECESSAIRE.

Tirez plusieurs fois la chasse d'eau. Vérifiez que le clapet de non-retour fonctionne correctement. Assurez-vous que la chaîne n'est pas entortillée et que le bras du clapet est dans sa position adéquate.

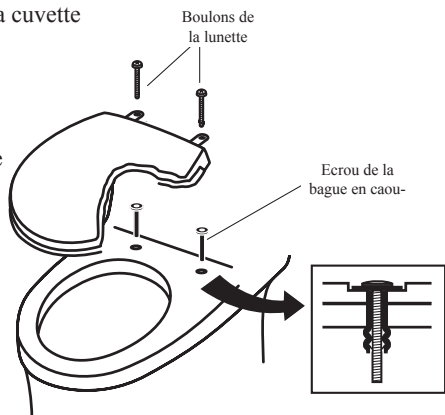
### ETAPE 7

Installez le couvercle du réservoir des toilettes sur la partie supérieure du réservoir des toilettes.

### ETAPE 8

Installez la lunette des toilettes sur la cuvette des toilettes (l'ensemble des boulons de montage est compris dans la cuvette). Insérez les écrous de la bague en caoutchouc dans les orifices du siège de la cuvette des toilettes.

Remarque: Retirez la lunette existante si nécessaire. Placez la lunette sur la cuvette et faites tourner la charnière pour la positionner tout en maintenant la lunette sur la cuvette. Fixez et vissez le boulon par le dessus à l'aide d'un tournevis. Repositionnez le cache-boulon et le couvercle inférieur (si nécessaire).



### GARANTIE LIMITEE - 1 AN

- TOTO garantit sa vitreuse china produits contre tout défaut de matériau et de fabrication pendant l'utilisation normale, lorsqu'elle est correctement installée et maintenue pour une période de une (1) ans à dater de l'achat. La présente garantie limitée ne peut être prolongée que pour le seul ACHETEUR D'ORIGINE de l'appareil et n'est pas transférable à un tiers, y compris mais pas limité à tout acheteur ou propriétaire subséquent du produit. Cette garantie n'est applicable qu'aux produits achetés et installés en Amérique du Nord, Centrale, Latine, et du Sud.
- Les obligations de TOTO selon les termes de cette garantie sont limitées à la réparation, remplacement ou autre ajustement en conséquence, au choix de TOTO, des produits ou des pièces défectueuses en service normal, pourvu qu'un tel produit ait été installé, utilisé et entretenu conformément aux instructions. TOTO se réserve le droit d'effectuer ce genre de vérifications en cas de nécessité afin de déterminer la cause du défaut. TOTO ne facturera pas les interventions ou les pièces relatives à la réparation et au remplacement sous garantie. TOTO n'est pas responsable du coût de désinstallation, de renvoi et/ou de réinstallation de l'appareil.
- La garantie ne s'applique pas dans les cas suivants:
  - Dompage ou perte suite à une cause naturelle telle que incendie, tremblement de terre, inondation, tonnerre, orage etc.
  - Dompage ou perte causés par tout accident, utilisation non adaptée, un abus, une négligence ou un mauvais traitement, nettoyage ou entretien de l'appareil.
  - Dompage ou perte causé par des sédiments ou tout autre corps étranger contenus dans un réseau d'alimentation en eau.
  - Dompage ou perte suite à une mauvaise installation ou à l'installation de l'appareil dans un environnement rude et/ou dangereux ou une mauvaise désinstallation, réparation ou m.
  - Dompage ou perte suite à des surtensions, foudres ou tous autres actes qui ne sont pas la responsabilité de TOTO, ou actes stipulés non supportables par le produit.
  - Dompage ou perte résultant d'une usure normale et habituelle, telle que la diminution du lustre, grattage ou décoloration avec le temps, habitude de nettoyage, l'eau, ou des conditions atmosphériques.
- Pour que la garantie limitée soit valable, la preuve d'achat est exigée. TOTO vous encourage à enregistrer votre produit après l'achat pour créer un record du propriétaire, cela peut être fait au site <http://www.totousa.com>. L'enregistrement du produit est complètement volontaire et à défaut de l'enregistrement ne va pas limiter votre droit au garantie limitée.
- CETTE GARANTIE DONNE DES DROITS SPÉCIFIQUES. IL EST POSSIBLE QUE L'ACHETEUR AIT D'AUTRES DROITS QUI VARIENT D'UN ÉTAT À UN AUTRE OU D'UNE PROVINCE À L'AUTRE.
- Pour obtenir une réparation selon les termes de cette garantie, l'acheteur doit livrer à un centre de réparation de TOTO port payé avec preuve d'achat (reçu de caisse original), et une lettre expliquant le problème, ou contacter un distributeur de TOTO ou un entrepreneur de réparation du produit ou écrire directement à TOTO U.S.A., INC., Southern Road, Morrow, Géorgie 30260, (888) 295-8134 ou appelé (678) 466-1300, si en dehors de l'Etat Unis. Si, à cause de la taille du produit ou de la nature du défaut, il n'est pas possible de renvoyer le produit à TOTO, la réception par TOTO d'un avis écrit du défaut avec preuve d'achat (reçu de caisse original) constitue livraison. Dans un tel cas, TOTO peut choisir de réparer le produit chez l'acheteur ou de payer le transport du produit à un centre de réparation.

CETTE GARANTIE ÉCRITE EST LA SEULE GARANTIE FAITE PAR TOTO. LA RÉPARATION, LE REMPLACEMENT OU TOUT AUTRE AJUSTEMENT APPROPRIÉ SELON LES TERMES DE CETTE GARANTIE EST LE SEUL RECOURS DE L'ACHETEUR INITIAL. TOTO N'EST PAS RESPONSABLE DE LA PERTE DU PRODUIT OU DE TOUT AUTRE DOMMAGE INDIRECT, SPÉCIAL OU SECONDAIRE OU DES DÉPENSES ENCOURUES PAR L'ACHETEUR INITIAL NI DE LA MAIN-D'OEUVRE OU AUTRES FRAIS ASSOCIÉS À L'INSTALLATION OU LA MANIPULATION, OU LES FRAIS DE RÉPARATION PAR DES TIERS, NI POUR TOUS AUTRES FRAIS PAS SPÉCIFIQUEMENT MENTIONNÉS. EN AUCUN CAS, LA RESPONSABILITÉ DE TOTO NE PEUT DÉPASSER LE PRIX D'ACHAT DU PRODUIT. SAUF QUAND INTERDITE PAR UNE LOI APPLICABLE, TOUTE GARANTIE SOUS-ENTENDUE, Y COMPRIS CELLE DE VENDABILITÉ OU D'APPLICATION POUR UN USAGE PARTICULIER, EST EXPRESSEMENT REJETÉ. CERTAINES PAYS NE PERMETTENT PAS LA LIMITATION DE LA LONGUEUR D'UNE GARANTIE SOUS-ENTENDUE, OU L'EXCLUSION OU LA LIMITATION DES DOMMAGES INDIRECTS OU SECONDAIRES, IL EST DONC POSSIBLE QUE CETTE LIMITATION ET EXCLUSION NE S'APPLIQUE PAS À VOTRE CAS.

ATTENTION ! TOTO décline toute responsabilité quant aux panes ou aux dommages causés sur ce produit de plomberie ou composant du produit par la chloramine contenue dans le traitement de l'alimentation en eau publique ou dans les produits d'entretien pour réservoirs des toilettes contenant du chlore (hypochlorite de calcium). Remarque : l'utilisation d'une forte concentration de chlore ou de produits à base de chlore risque d'endommager sérieusement la tuyauterie. Ces dommages peuvent provoquer des fuites et des dégâts des eaux. Pour plus d'informations, contactez-nous au (888) 295-8134.

### Pièces de rechange

Modèle	Clapet	Robinet de Remplissage	Soupape de Vindange	Levier de Déclenchement
CST474CEF(G)	THU	THU	TSU	THU004#XX
CST764S	THU138S	THU129Z	TSU08A.6	THU068#XX
CST774S	THU175S	THU129W-2	TSU16A	THU141#XX
CST794SF				THU164#CP
CST794EF	THU253S	THU252W-2	TSU28A	

## INSTRUCTIONS DU ROBINET DE REMPLISSAGE DU RÉSERVOIR

Cyclone® / G-Max® / E-Max® / Power Gravity®

### AVERTISSEMENT: NE PAS UTILISER DE PRODUITS DE NETTOYAGE DE CUVETTE DANS LE RÉSERVOIR

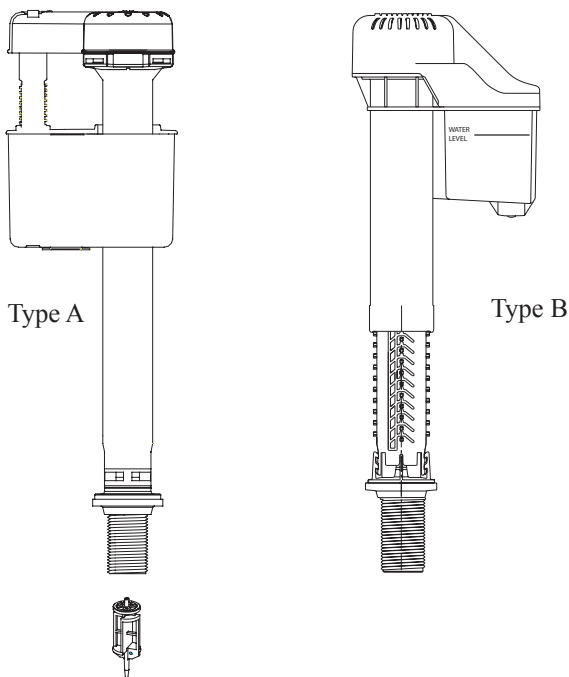
L'utilisation de chlore ou de produits à base de chlore à forte concentration peut endommager sérieusement les joints du réservoir. L'endommagement des joints de réservoir peut provoquer des fuites et/ou des dommages matériels. TOTO ne pourra être tenu responsable ou impliqué dans aucune panne ou dommage lié au joint du réservoir et provoqué par l'utilisation de produits de nettoyage de cuvette dans le réservoir.

### INSTALLATION

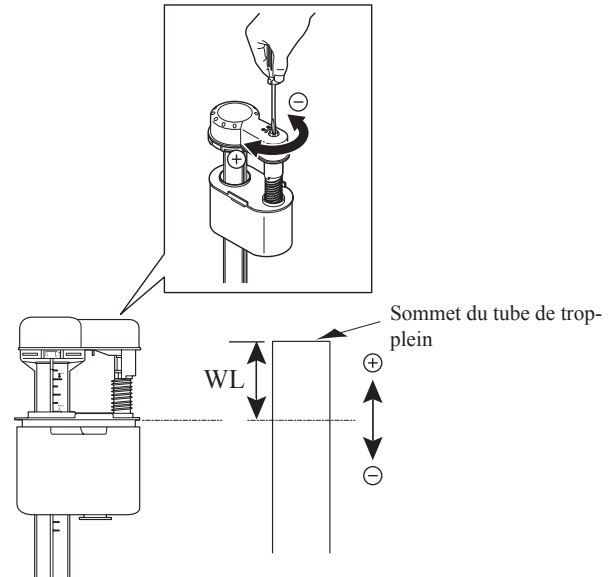
1. Couper l'arrivée d'eau du toilette.
2. Tirer la chasse d'eau et retirer l'eau restant dans le réservoir à l'aide d'une éponge.
3. Retirer la connexion d'alimentation d'eau au niveau du robinet de remplissage.
4. Retirer l'ancien robinet de remplissage et utiliser une éponge humide pour nettoyer l'orifice du réservoir.
5. Placer le robinet de remplissage neuf dans l'orifice du réservoir.
6. Visser l'écrou de fixation sur la tige du robinet de remplissage et serrer l'écrou.  
Remarque : NE PAS TROP SERRER. Veiller à installer le robinet de remplissage dans une position qui ne gêne pas le fonctionnement du levier de déclenchement.
7. Connecter l'arrivée d'eau à la tige du robinet de remplissage et serrer manuellement.  
Remarque : NE PAS TROP SERRER. Il s'agit de pièces en plastique. Ne jamais utiliser de pâte à joint au niveau d'une connexion d'arrivée d'eau.
8. Attacher le tuyau de remplissage sur le manchon du robinet de remplissage et fixer l'autre extrémité du tuyau de remplissage sur le tuyau de trop-plein.
9. Ouvrir l'arrivée d'eau et rechercher d'éventuelles fuites à l'extérieur du réservoir.  
Remarque : Lorsque l'eau remplit le réservoir, elle est également acheminée vers le tuyau de trop-plein, via le tuyau de remplissage. Ce flux d'eau supplémentaire est essentiel pour remplir la cuvette du toilette. Une fois que l'eau cesse de remplir le réservoir, il est possible que des gouttes d'eau résiduelles tombent du robinet de remplissage. Ceci est NORMAL et s'arrêtera rapidement.

### RÉGLAGE DU NIVEAU D'EAU

Suivant l'usine de fabrication, vous pouvez disposer de l'un ou deux robinets de remplissage suivants.

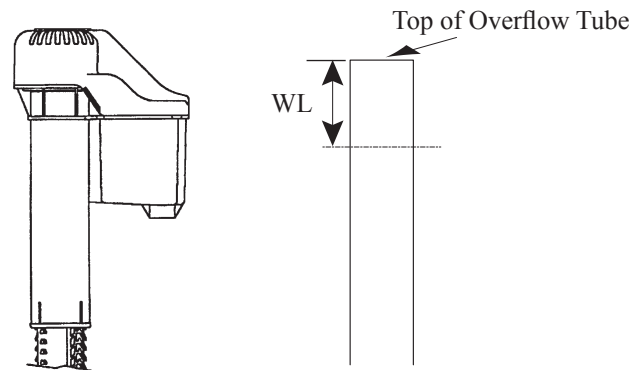


Laissez l'eau remplir le réservoir pour la valve de Type A. au marque du niveau d'eau (WL) situé sur le mur inférieur du réservoir. Tournez la vis de réglage dans le sens des aiguilles d'une montre dans la direction (+) pour augmenter la hauteur du niveau d'eau. Tournez la vis de réglage dans le sens contraire des aiguilles d'une montre dans la direction (-) pour réduire la hauteur du niveau d'eau. Tirez la chasse d'eau pour vérifiez que le niveau de l'eau est correct. Ajustez si nécessaire.



Pas besoin d'ajuster le niveau d'eau avec la valve de remplissage de Type B.

LA VALVE DE REMPLISSAGE A ETE REGLEE A L'USINE.



### FONCTIONNEMENT (NOTE DESTINÉE AU PROPRIÉTAIRE)

Vous avez choisi un produit TOTO, qui bénéficie d'une supériorité au niveau de la qualité et de la conception. Les systèmes de chasse d'eau de nos toilettes sont les meilleurs dans ce secteur. Afin que votre toilette fonctionnent correctement, lorsque vous tirez la chasse d'eau, tirez toujours complètement le levier pour déclencher le cycle. Cela vous garantira une utilisation optimale de TOTO.

Si vous souhaitez obtenir des conseils concernant l'installation, contacter l'un des membres de notre service technique en appelant le numéro indiqué ci-dessous.

TOTO USA, Inc. 1155 Southern Rd, Morrow, GA 30260

Tel.: (888) 295-8134 • Fax (800) 699-4889

www.totousa.com

Printed in USA ©TOTO USA Inc.



**TOTO**