

NEOREST 600 Installation Instructions

- Read and follow all of the instructions before installing the NEOREST.

Safety Instructions

Always follow the safety precautions/warnings when using and installing the WASHLET.

WARNING: Improper use of this product may result in death or serious injury.

CAUTION: Improper use of this product may result in injury or property damage.

This symbol indicates a prohibited use of the product.

This symbol is used to indicate a required step in the use of this product.

WARNING:

Prohibited Use of This Product:
Do not use this product in wet or damp places, such as a shower or bathtub area. (This may cause fire or electrical shock.)

This product should be used with 120V electrical voltage only to avoid the risk of fire or electrical shock.

Always plug into a grounded (3 prong) plug to prevent electrical shock in the case of malfunction or short circuit.

Connect to a proper water source to avoid the risk of skin irritation.

Do not use a damaged plug or cord or insert into a faulty electrical outlet, as this may result in fire or electrical shock.

Always insert the power plug securely into the wall outlet. Failure to do so may result in fire or electrical shock.

CAUTION:

Always follow the installation instructions when installing the product. Improper installation may result in water leakage, electrical shock or fire.

Do not apply force to the flexible connecting hose or elbow joint as this may result in water leakage.

Do not bend or crush the flexible connecting hose as this may result in water leakage.

To prevent sudden water leakage, do not remove the water supply filter before closing the water shutoff valve.

When installing the water supply filter, make sure that it is tightened securely. Improper installation of the water supply filter may result in water leakage.

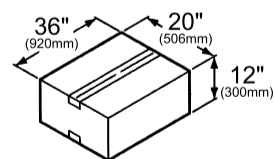
Do not lift the Washlet section by grabbing the seat or lid. The seat or lid may detach and drop or damage the Neorest.

Before Installation

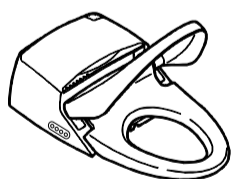
1. Do not apply power or supply water to the unit until the installation process is complete.
2. Do not grasp the toilet bowl connecting hose when mounting the Washlet main unit onto the toilet bowl.
3. The power voltage is 120V/60Hz. The rated energy consumption is 1288W. Use wiring and electrical outlet appropriate for this level of power.
4. The power cord is 3 feet (1m) in length. The electrical outlet should be located on the wall, within reach of the power plug.
5. Use a minimum water supply pressure of 10 PSI (0.07 Mpa) flowing.
6. The water temperature range should be 0 ~ 35°C (32~95°F).
7. Only use the flexible connecting hose provided in this kit.

Parts Identification

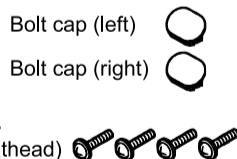
Package
36" x 20" x 12"
(920(L) x 506(W) x 300(D)mm)



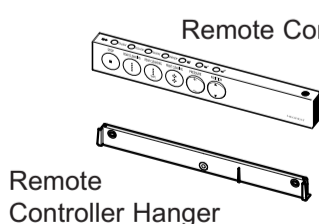
Washlet Main Unit



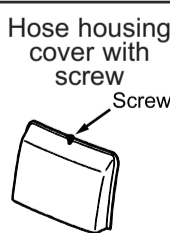
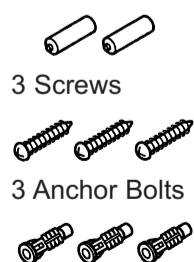
Main Unit Installation Hardware:



Remote Controller Parts:

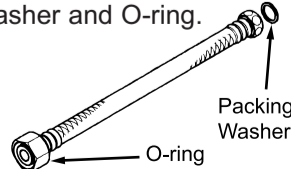


2 x AA Batteries

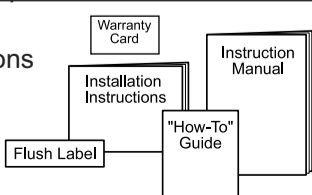


Leave with Owner after installation.

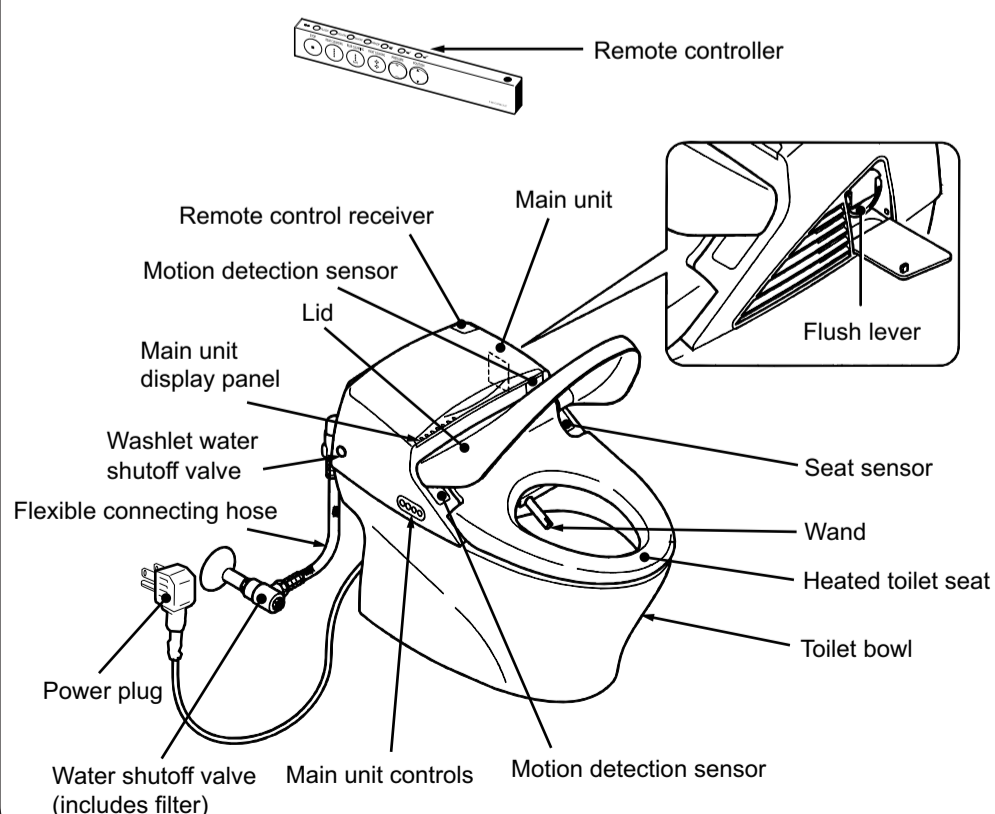
Flexible connecting hose
Length: 15" (380mm)
Equipped with packing washer and O-ring.



- Instructions Manual
- Installation Instructions
- "How-To" Guide
- Warranty Card
- Flush Label
- Hook



Features



Installing the Washlet

1 Installation of the Main Unit

- 1** Make sure that the flat protective gasket has been inserted into the groove on the opening for the connecting hose.

* Be sure to remove any dust that may have settled in the groove.

Opening for the toilet bowl connecting hose.
(flat protective gasket should already be inserted)



- 2** Mount the Washlet main unit on top of the toilet bowl fixture.

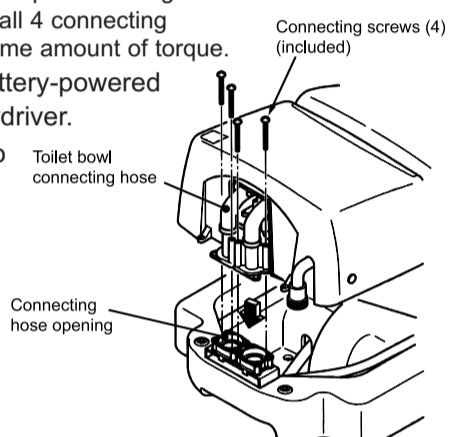
- 3** Fit the connecting hose into the opening, attach with the 4 connecting screws using a screwdriver and securely fasten them by hand.

● The connecting screws must be inserted into the correct positions to ensure a precise fitting.

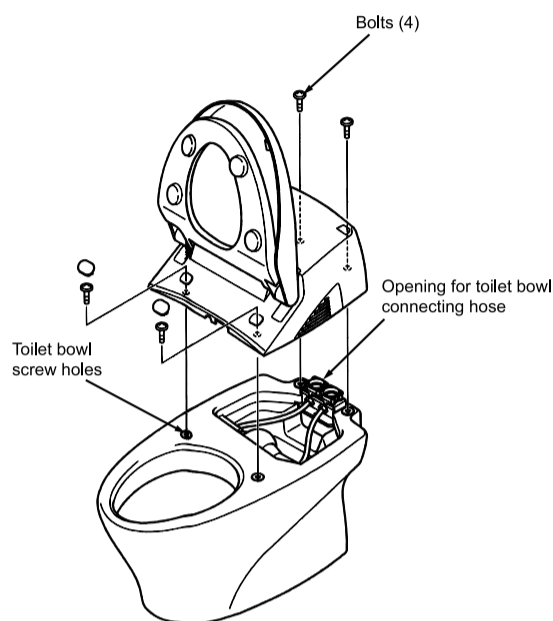
● Be sure to tighten all 4 connecting screws with the same amount of torque.

* Do not use a battery-powered or electric screwdriver.

* Do not hold onto the connecting hose during installation.

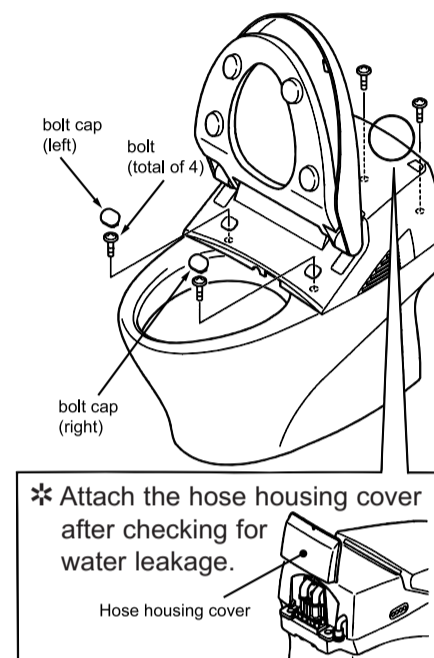


- 4** Tentative tightening of the screws. Align the main unit with the 4 screw holes on the toilet bowl fixture and tentatively fasten with the 4 bolts provided.



- 5** Final tightening of the screws. Align the main unit with the center of the toilet bowl fixture and secure tightly with the 4 bolts.

- 6** Attach the bolt caps (2). (The caps are marked for right and left installation.)

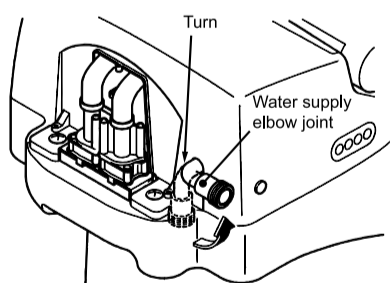


2 Fitting the Connecting Hoses

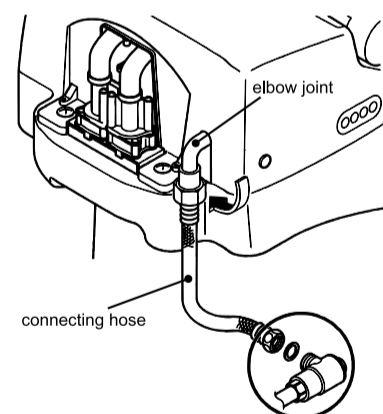
- 1** Turn the water supply elbow joint to a horizontal position to allow for easier connecting of the hoses.

Caution

To avoid possible water leakage, do not apply force to the base of the elbow joint when turning it.



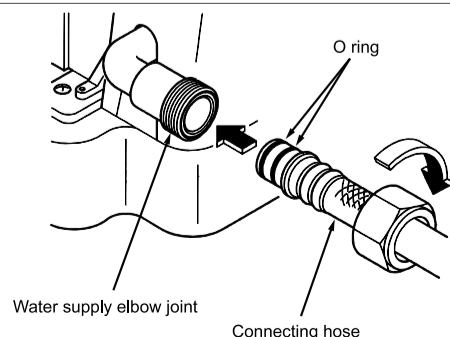
- 3** Turn the elbow joint so that it is facing downwards at a 90° angle.



- 2** Turn the connecting hose to the horizontal position and insert it into the elbow joint.

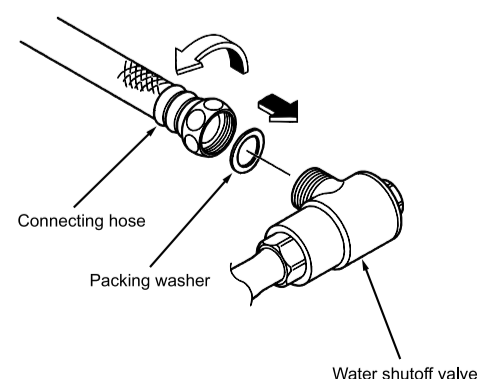
Caution

Be careful not to damage the O ring on the connecting hose to avoid possible water leakage.



- 4** Connect the connecting hose to the water shutoff valve.

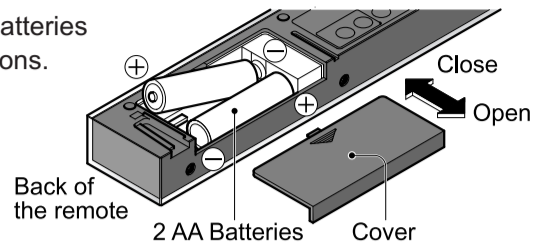
* Make sure that the hose is not bent or twisted before connecting it.



3 Installing the Remote Controller

- 1 Insert the alkaline batteries into the battery holder on the remote controller.

* Be sure to install the batteries in the correct +/- positions.

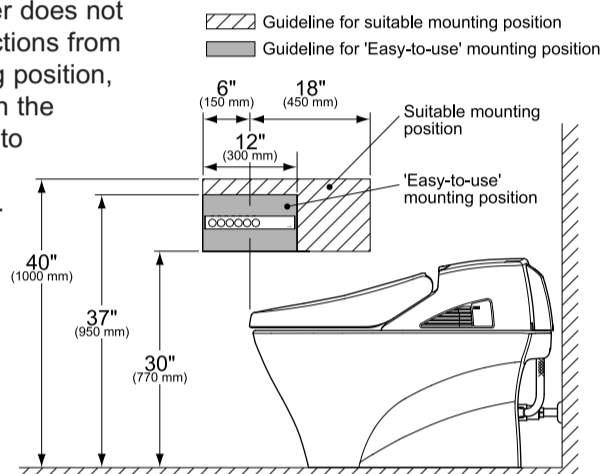


- 2 Select the desired position for hanging the remote controller.

⚠ Precaution

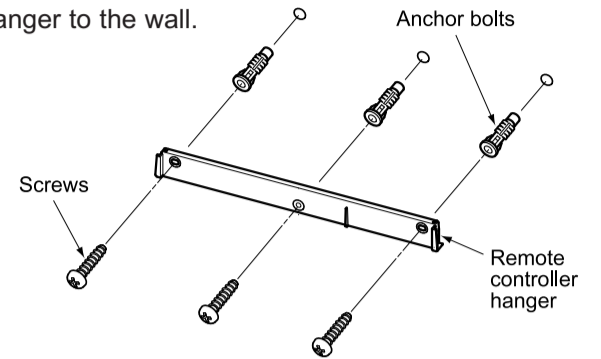
- Before attaching the remote controller to the wall, make certain that the controller works in that spot. Sit on Neorest to activate sensor. Press "Wand Cleaning" button. If wand extends, the remote position is good. Note that no water will be sprayed in "Wand Cleaning" mode.

- If the remote controller does not activate the toilet functions from the selected mounting position, try another position on the opposite wall or refer to the figure below for installation guidelines.



- 3 Attach the remote controller hanger to the wall.

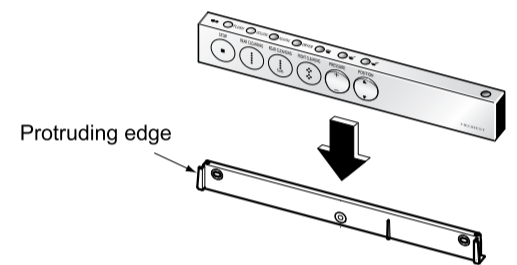
- Drill small holes (1/8" D (3 mm)) in the wall to make it easier to drill in the screws.
- When installing into sheet rock or tile, first drill 1 5/16" deep (1/4" D (6mm)) holes into the wall and then use anchor bolts to attach the hanger to the wall.



- Optional:
Anti-theft mounting blocks are contained in a separate bag. Install the blocks using the instructions included in the kit in order to prevent the remote control from being removed.

- 4 Insert the remote controller into the wall hanger.

- Insert from the top along the protruding edge.



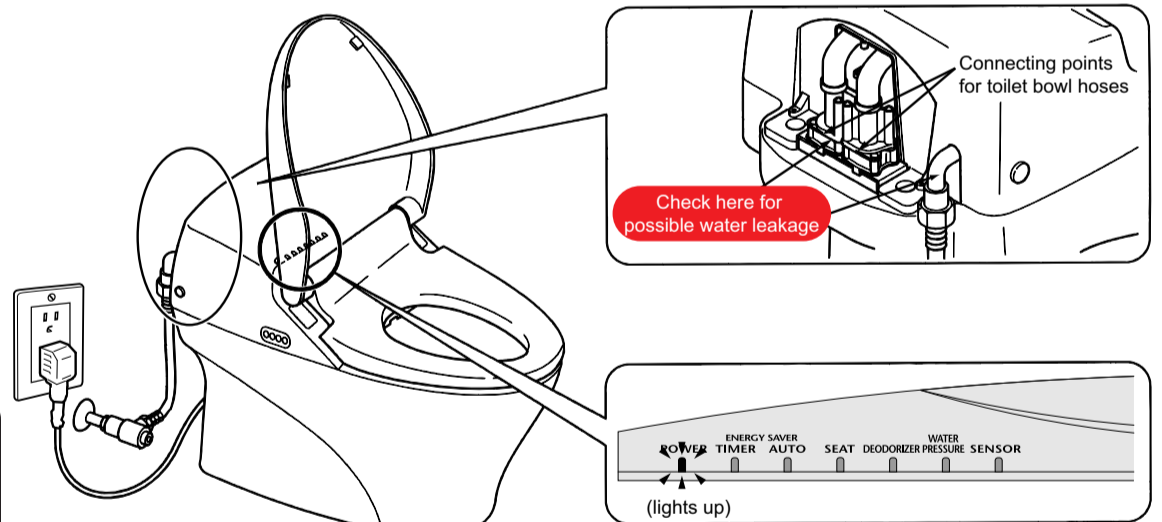
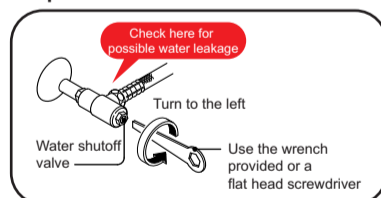
Trial Operation

- Make sure connections are tight.
- Turn on water supply and check for leaks.
- Connect the power plug into appropriate grounded, 120 V/ 60 Hz, GFCI outlet. The cleansing wand extends once, then retracts. Installation is completed.

Push power button on side control panel

* Check if LED 'Power' lamp lights up.

* Leave the Neorest in the 'ON' condition after installation.

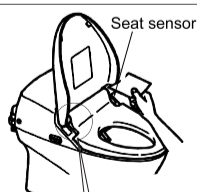


Checking the Functions

- 1 Cover the seat sensor with white paper.

Point!

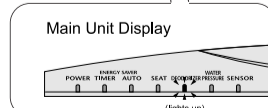
Covering the seat sensor with white paper will keep the sensor in the "activated" mode. When the sensor is activated, a stream of water will spray from the vicinity of the wand for several seconds.



- 2 Check to make sure that the air deodorizer function works properly.

Check!

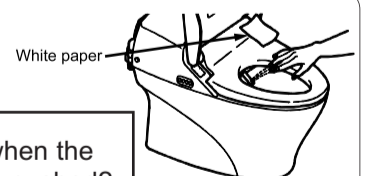
Is the "Deodorizer" light on the main unit display lit up?



- 3 Check to make sure that the wash functions work properly.

Check!

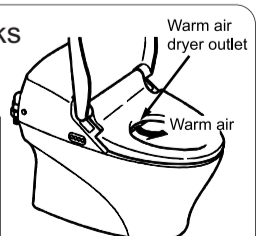
- Does warm water spray from the wand when the rear wash, soft wash or bidet buttons are pushed?
- Does the water pressure change when the strong or soft water pressure button is pushed?
- Does the water stop spraying when the STOP button is pushed?



- 4 Check to make sure that the warm air dryer works properly.

Check!

- Does warm air blow out from the left of the wand when the dryer button is pushed?
- Does the dryer turn off when the STOP button is pushed?



Trial Operation (Continued)

Checking the Functions (Continued)

- 5** Check to make sure the toilet seat heater works properly.

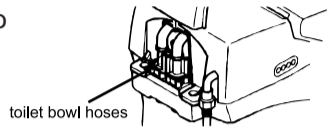
Check! _____

The toilet seat should get warm in 15 minutes.

- 6** Remove the white paper cover from the toilet seat sensor.

- 7** Check to make sure the Auto Flush function works properly.

- * When checking the Auto Flush function, also check for possible water leakage from the toilet bowl hoses.



Check! _____

Open the lid, raise the toilet seat and stand in front of the toilet for at least 6 seconds. When you move away from the toilet does it automatically flush after 3 seconds?

- * If the water does not flush properly, the water pressure may be low. Check to see if the "Water Pressure" light on the main unit display is flashing. A flashing light indicates that the water pressure is below the standard level of 10 PSI (0.07 Mpa) flowing. Refer to the Toilet Bowl Installation Instructions to check the water.

- 8** Check to make sure that the remote controlled toilet seat/lid OPEN/CLOSE function works properly.

Check! _____

Does the toilet seat and lid open and close when the appropriate buttons are pushed?

- 9** Check to make sure that the Remote Controlled Flush function works properly.

- * Wait at least 40 seconds after the Auto Flush before checking the Remote Controlled Flush function.

Check! _____

Does the toilet flush when the flush button is pushed?

- 10** Check to make sure the Auto OPEN/CLOSE function works properly.

Check! _____

- Lower the toilet seat, close the lid and move away from the toilet.
- Wait 10 seconds and then move back in front of the toilet. Does the lid automatically open?

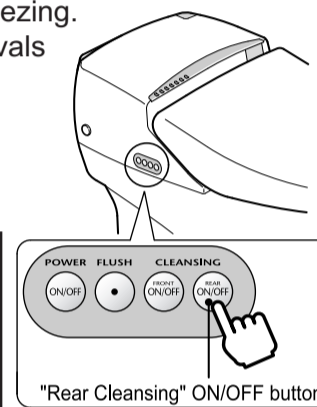
After the lid opens, raise the toilet seat. Stand in front of the toilet for at least 6 seconds and then move away from the toilet. Does the lid automatically close after 90 seconds?

- 11** Drain the pipes to prevent them from freezing. Drain water from the pipes at fixed intervals to prevent the pipes from freezing.

- Push the "Rear Wash" button on the main unit display for 10 seconds to start the draining process.

Check! _____

- Does the "Power" light flash on and off?
 - Does water discharge from the base of wand after 5 minutes?
- Does the toilet flush after an additional 5 minutes?



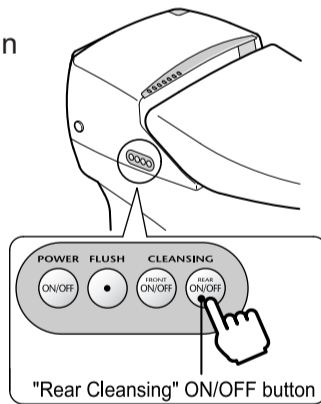
Trial Operation (Continued)

- 12** ● After performing the previous 3 steps, push the "Rear Cleansing" button again for 10 seconds to complete the draining process.

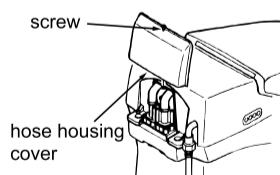
- * Always make sure that the "Power" light is ON.

Check! _____

Does the "Power" light stop flashing and return to the ON mode?

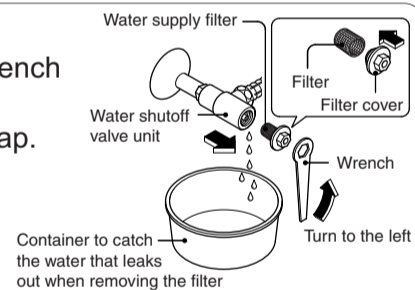


- 13** When Trial Operation is complete, re-install the hose housing cover.

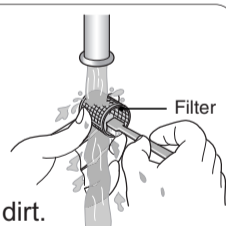


Cleaning the Water Supply Filter

- 2** Remove the water supply filter.
- Remove the filter cap with the wrench provided.
 - The filter will come out with the cap.



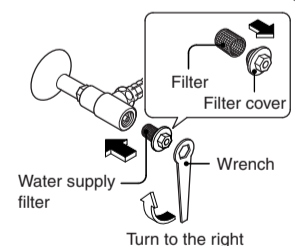
- 3** Clean the filter.
- Remove the filter and run the strainer under water to remove dirt and debris.
 - * Use a small brush, such as a toothbrush, to remove fine particles.
 - * Use a cotton swab to wipe the entire strainer free of dirt.



- 4** Reinstall the water supply filter.
- Reassemble the filter and cap, insert and tighten the cap with the provided wrench.

Caution

Be sure to tighten the water supply filter securely to prevent possible water leakage.



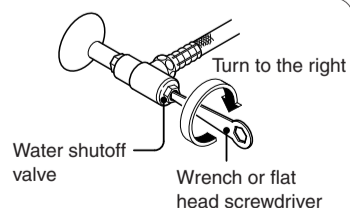
- 5** Open the water shutoff valve.
- Open the shutoff valve with the wrench provided.
 - Check to make sure there is no water leakage from the valve or the fitting.

Cleaning the Water Supply Filter

- A clogged water supply filter will affect the performance of the product. Be sure to clean the filter after performing Trial Operation using the procedure described below.

- 1** Close the water shutoff valve to turn off the water supply.

- Use the wrench provided in the installation kit to close the water shutoff valve.



Caution

Do not remove the water supply filter while the shutoff valve is open to prevent the water from spewing out.

To the Installer:

- Be sure to provide the customer with the installation wrench.
- Fill out necessary warranty information on the included warranty card and leave it with the customer.
- Provide the customer with an explanation of the Washlet functions and operating instructions. When performing installation in a new home that is unoccupied, be sure to disconnect the power plug from the wall. (During cold months, the power plug should be left connected to avoid frozen water pipes.)