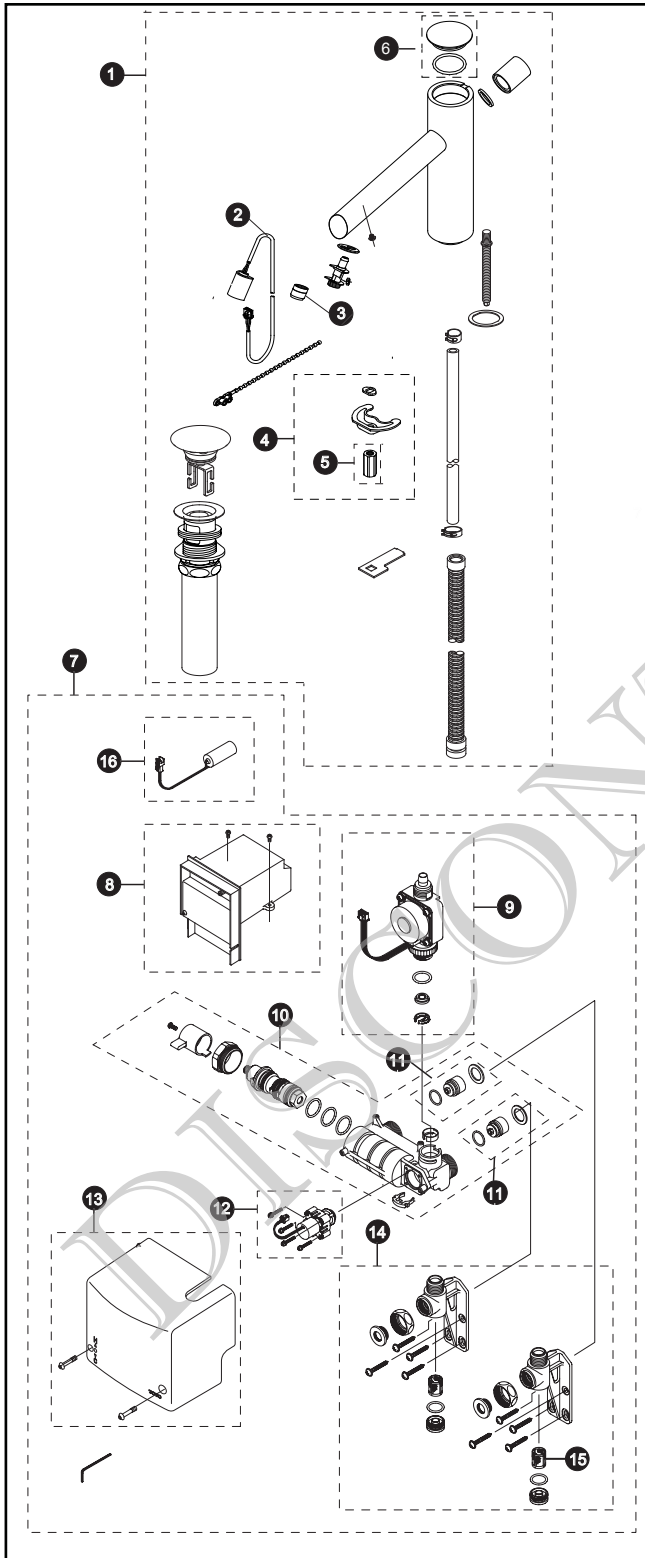


TEL5GMY-60

TEL5GMY-60
 TEN12AWV400 (Spout)
 TN78-10V460 (Dynamo) (for 60 seconds)

Sensor Faucet, Ryohan™ Spout with Grid Drain and Cap Self-Generating EcoPower® System Thermal Mixing



Item	Part	Description
1	TEN12AWV400	Spout Assembly
2	TH559EDV436	Sensor
3	TH559EDV453	Nozzle Assembly Set
4	TH559EDV402	Spout Mounting Kit
5	TH559EDV403	Spout Nuts (5 pieces)
6	TH559EDV455	Top Cap Set
7	TN78-10V460	Dynamo Assembly (60 seconds)
8	TH559EDV467	Thermal Dynamo Control Unit 60 sec.
9	TH559EDV468	Dynamo and Flow Control Unit
10	TH559EDV469	Thermal Mixing Valve
11	TH559EDV472	Check Valve Unit
12	TH559EDV470	Solenoid and Diaphragm Assembly
13	TH559EDV471	Control Cover Set
14	TH559EDV429	Mounting Bracket Set
15	TH559EDV256	Strainer
16	TH559EDV410R	Back-Up Battery

Product Number Explanations

Faucet

(T) Fitting
 (E) Electronic
 (L) Lavatory
 (S) Thermal Mixing
 (G) Generator Type
 (M) Ryohan Spout
 (Y) PVD "Ryohan" Finish
 (60) 60 Second