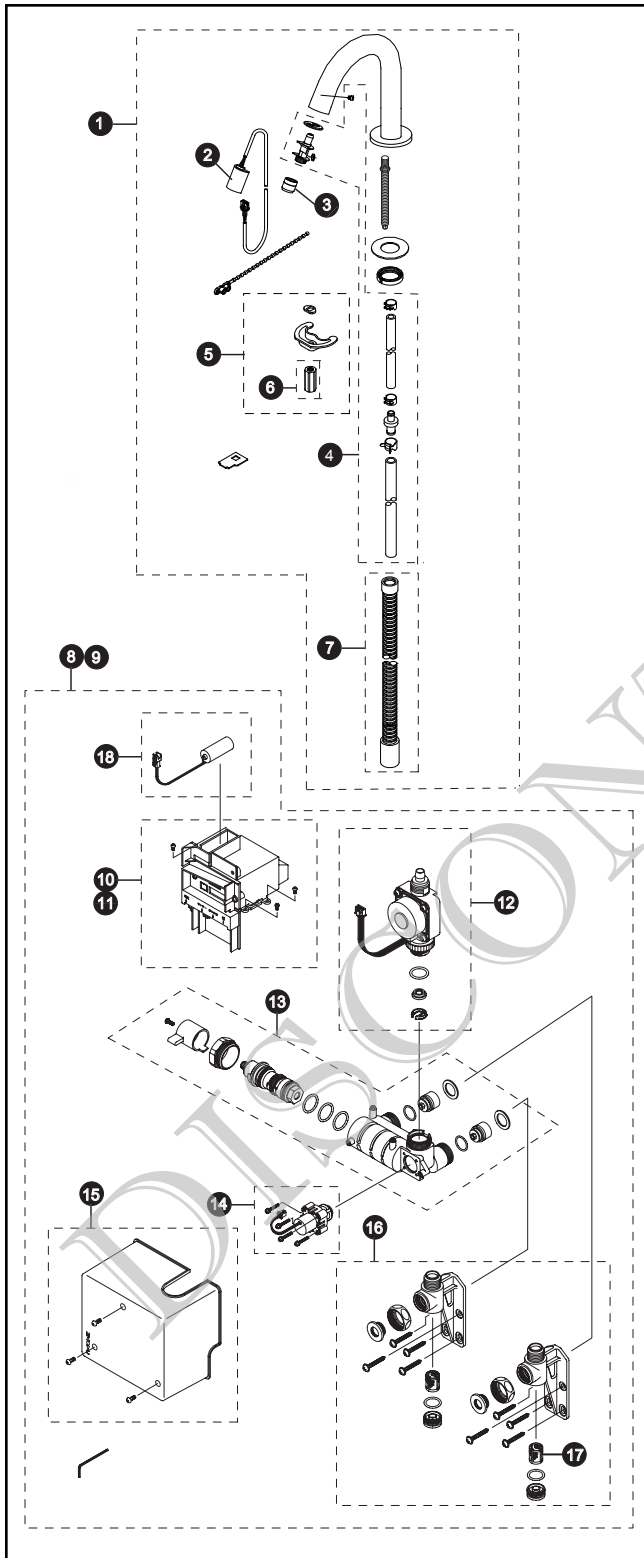


TEL5GCCN-10,-60

TEL5GCCN-10, -60
 TEN12AWV100 (Spout)
 TN78-10V210R (Dynamo) (for 10 seconds)
 TN78-10V260R (Dynamo) (for 60 seconds)

Sensor Faucet, Helix™ Spout Self-Generating EcoPower™ System Thermal Mixing



Item	Part	Description
1	TEN12AWV100	Spout Assembly
2	TH559EDV436	Sensor
3	THB26V1	Nozzle Assembly Set (Laminar Flow Type)
4	TH559EDV437	Nozzle Bushing Set
5	TH559EDV402	Spout Mounting Kit
6	TH559EDV403	Spout Nuts (5 pieces)
7	TH559EDV404	Flexible tube (Regular Spout)
8	TN78-10V210R	Dynamo Assembly (10 seconds)
9	TN78-10V260R	Dynamo Assembly (60 seconds)
10	TH559EDV423	Thermal Dynamo Control Unit 10 sec.
11	TH559EDV424	Thermal Dynamo Control Unit 60 sec.
12	TH559EDV425	Dynamo & Flow Control Unit
13	TH559EDV426	Thermal Mixing Valve
14	TH559EDV427	Solenoid & Diaphragm Assembly
15	TH559EDV428	Control Cover Set
16	TH559EDV429	Mounting Bracket Set
17	TH559EDV256	Strainer
18	TH559EDV410R	Back Up Battery
19	TN71V100R	Cover Plate - 4"
20	71244T8CC	Cover Plate - 8"

Product Number Explanations

- Faucet**
 (T) Fitting
 (E) Electronic
 (L) Lavatory
 (S) Thermal Mixing
 (G) Generator Type
 (S) Standard Spout
 (C) Chrome Finish
 (10) 10 Second

