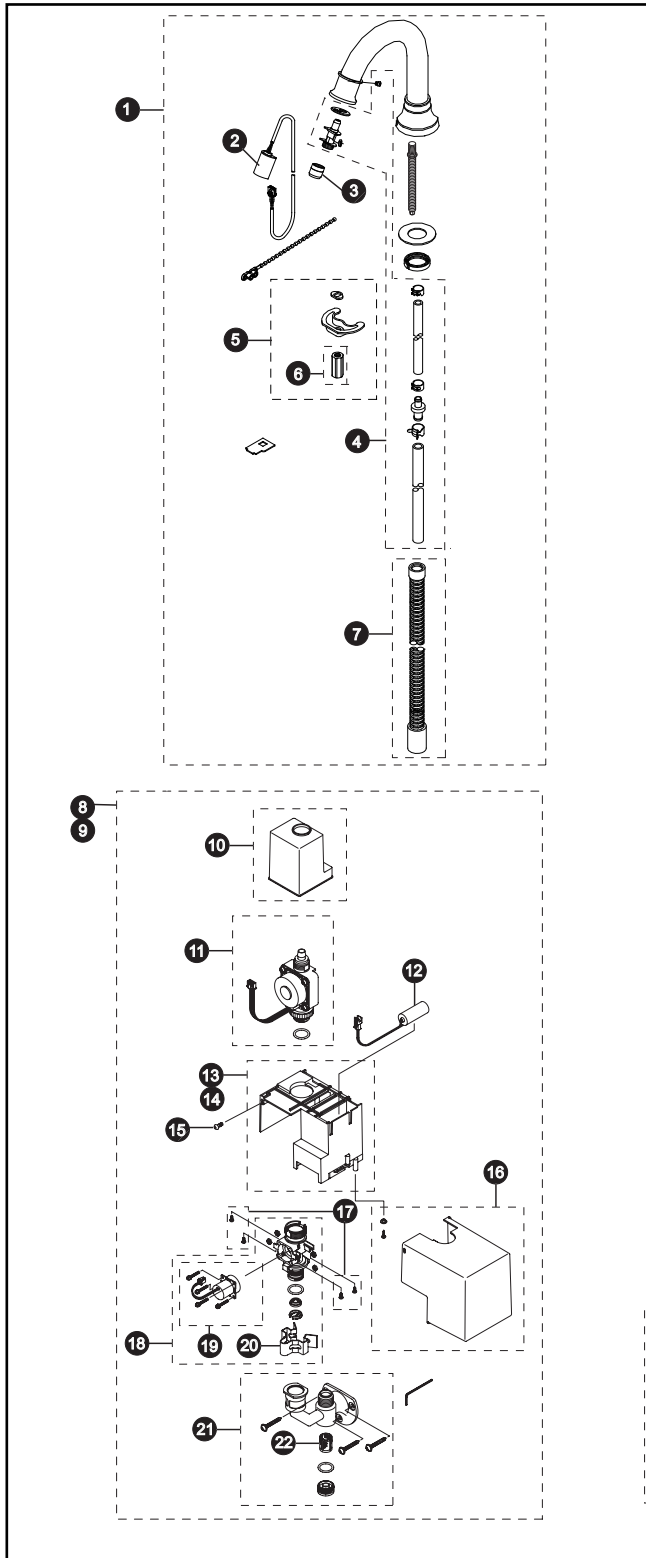


TEL3GTCN-10,-60

TEL3GTCN-10, -60
 TEN12AWV200 (Spout)
 TN78-9V210R (Dynamo) (for 10 seconds)
 TN78-9V260R (Dynamo) (for 60 seconds)

Sensor Faucet, Fordham™ Spout Self-Generating EcoPower™ System Single Supply



Item	Part	Description
1	TEN12AWV200	Spout Assembly
2	TH559EDV436	Sensor
3	THB26V1	Nozzle Assembly Set (Laminar Flow Type)
4	TH559EDV437	Nozzle Bushing Set
5	TH559EDV402	Spout Mounting Kit
6	TH559EDV403	Spout Nuts (Gooseneck and Regular)(5 pieces)
7	TH559EDV404	Flexible Tube (Regular Spout)
8	TN78-9V210R	Dynamo Assembly (10 seconds)
9	TN78-9V260R	Dynamo Assembly (60 seconds)
10	TH559EDV409	Dynamo Single Cover
11	TH559EDV411	Dynamo Hydropower Generator
12	TH559EDV410R	Back-Up Battery
13	TH559EDV407	Single Dynamo Control Unit 10 sec.
14	TH559EDV408	Single Dynamo Control Unit 60 sec.
15	TH559EDV417	Hex Socket Screws
16	TH559EDV414	Control Cover
17	TH559EDV416	Screws (10 Pieces)
18	TH559EDV412	Valve Assembly Unit
19	TH559EDV413	Solenoid and Diaphragm Assembly
20	TH559EDV255	Metal Spring Clip
21	TH559EDV415	Mounting Bracket Set
22	TH559EDV256	Metal Strainer Screen
23	TN71V100R	Cover Plate - 4"
24	71244T8CC	Cover Plate - 8"

Product Number Explanations

Faucet
 (T) Fitting
 (E) Electronic
 (L) Lavatory
 (3) Single Supply
 (G) Generator Type
 (S) Standard Spout
 (C) Chrome Finish
 (10) 10 Second