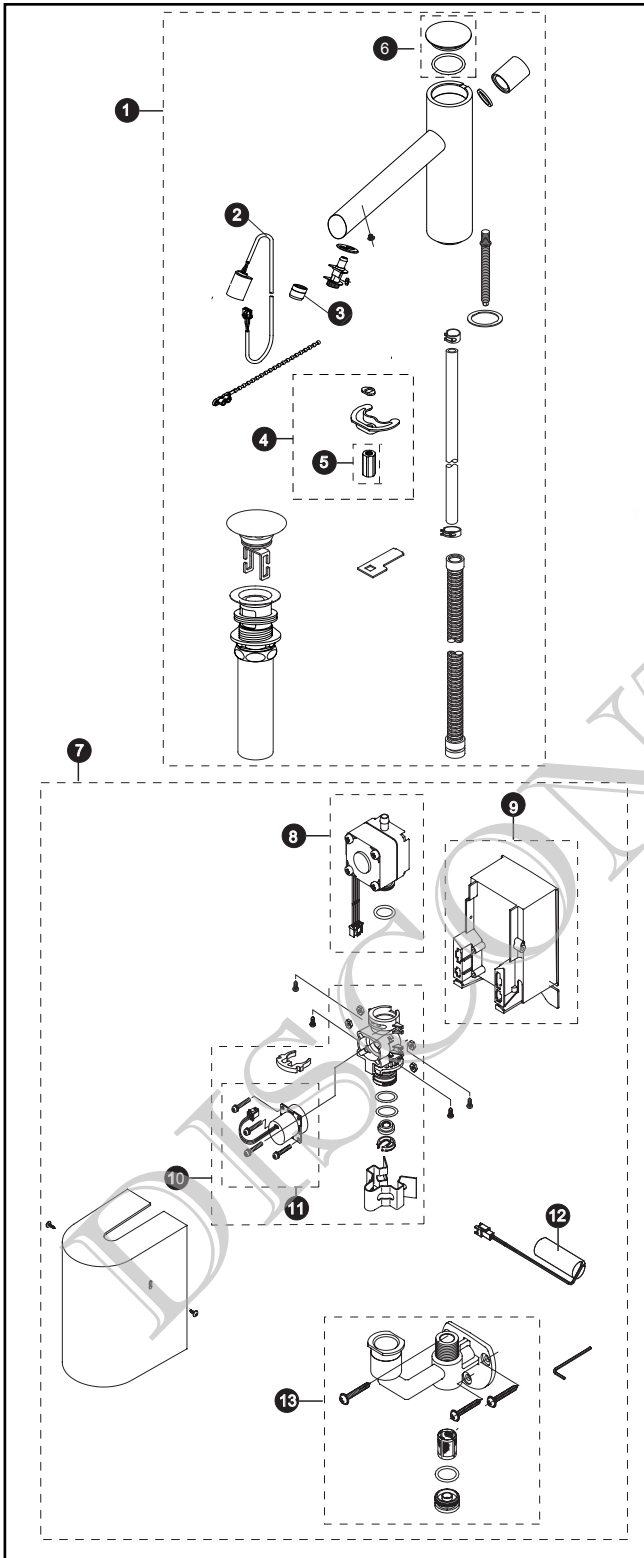


TEL3GMY-60

TEL3GMY-60
 TEN12AWV400 (Spout)
 TN78-9V460 (Dynamo) (for 60 seconds)

Sensor Faucet, Ryohan™ Spout with Grid Drain and Cap Self-Generating EcoPower® System Single Supply



Item	Part	Description
1	TEN12AWV400	Spout Assembly
2	TH559EDV436	Sensor
3	TH559EDV453	Nozzle Assembly Set
4	TH559EDV402	Spout Mounting Kit
5	TH559EDV403	Spout Nuts (5 pieces)
6	TH559EDV455	Top Cap Set
7	TN78-9V460	Dynamo Assembly (60 seconds)
8	TH559EDV462	Dynamo Hydropower Generator
9	TH559EDV461	Single Dynamo Control Unit 60 sec.
10	TH559EDV463	Valve Assembly Unit
11	TH559EDV464	Solenoid and Diaphragm Assembly
12	TH559EDV410R	Back-Up Battery
13	TH559EDV466	Mounting Bracket Set

Product Number Explanations

Faucet

- (T) Fitting
- (E) Electronic
- (L) Lavatory
- (3) Single Supply
- (G) Generator Type
- (M) Ryohan Spout
- (Y) PVD "Ryohan" Finish
- (60) 60 Second