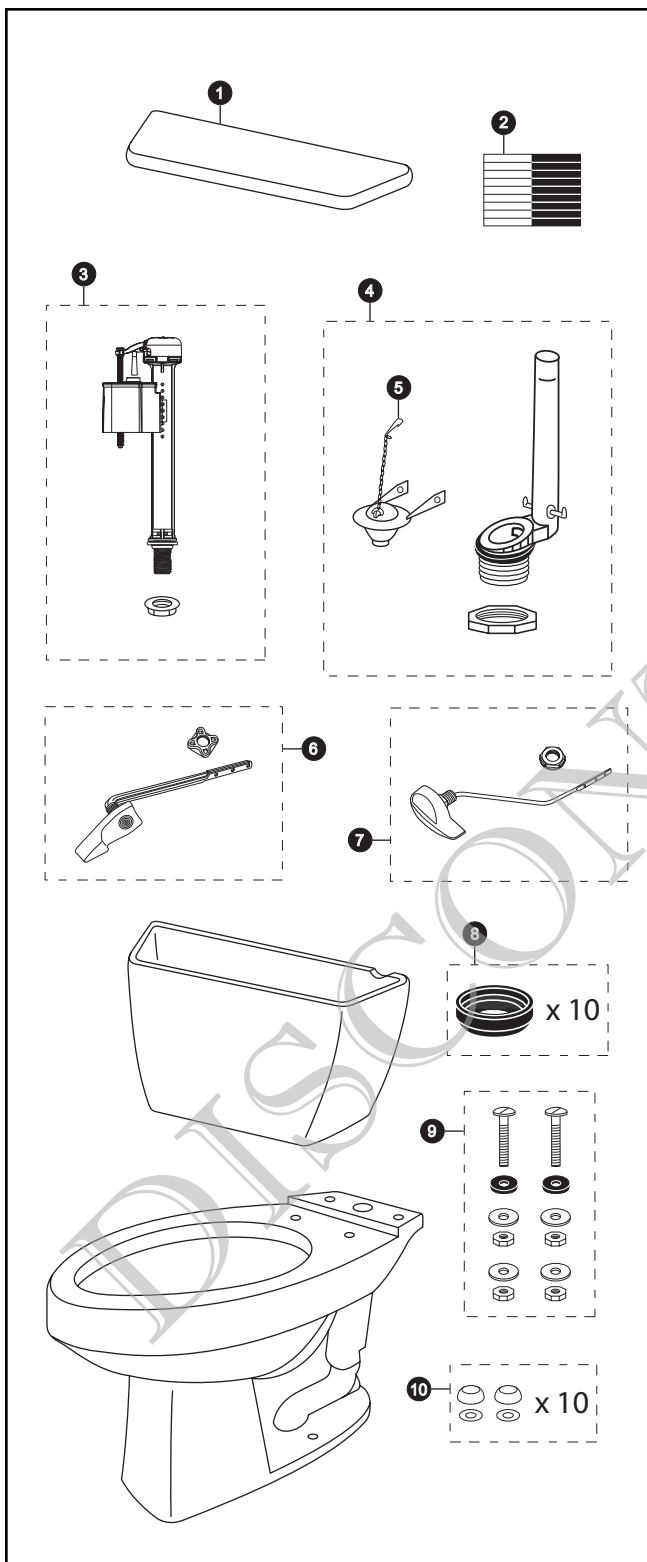


# CST704LX

CST704LX  
ST706  
C704L

## Commercial 1.6 Gpf Toilet, Elongated, Gravity, ADA, 12" Rough-In



Item	Part	Description
1	TCU706CR#01	Tank Lid w/ Velcro Tape
	TCU706CR#03	Tank Lid w/ Velcro Tape
	TCU706CR#04	Tank Lid w/ Velcro Tape
	TCU706CR#11	Tank Lid w/ Velcro Tape
	TCU706CR#12	Tank Lid w/ Velcro Tape
	TCU706CR#51	Tank Lid w/ Velcro Tape
2	THU107	Velcro Tape
3	TSU30A	Fill Valve
4	THU255-A	Flush Valve
5	THU257	Flapper w/ Chain
6	THU047#01	Trip Lever - Front Mount
	THU047#03	Trip Lever - Front Mount
	THU047#04	Trip Lever - Front Mount
	THU047#12	Trip Lever - Front Mount
	THU047#51	Trip Lever - Front Mount
	THU047#CP	Trip Lever - Front Mount
7	THU061#01	Trip Lever
	THU061#03	Trip Lever
	THU061#04	Trip Lever
	THU061#11	Trip Lever
	THU061#12	Trip Lever
	THU061#51	Trip Lever
	THU061#CP	Trip Lever
	THU061#PB	Trip Lever
8	THU102	Tank to Bowl Gaskets (for 10 toilets)
9	TSU01D	Tank Mounting Kit
10	THU098#01	Bolt Cap Sets (for 10 toilets) for #01 & #11
	THU098#03	Bolt Cap Sets (for 10 toilets) for #03 & #12
	THU098#04	Bolt Cap Sets (for 10 toilets)
	THU098#51	Bolt Cap Sets (for 10 toilets)

**Note:** THU047 has Left Hand threads.

### Product Number Explanations

#### Two-Piece Toilet

(CST) Gravity Type Toilet  
(704) Model  
(L) ADA Compliant

#### Tank

(ST) Tank  
(706) Model

#### Bowl

(C) Bowl  
(704) Model  
(L) ADA Compliant

#### Colors

(#01) Cotton  
(#03) Bone  
(#04) Gray  
(#11) Colonial White  
(#12) Sedona Beige  
(#51) Ebony

#### Finishes

(#CP) Chrome Plated