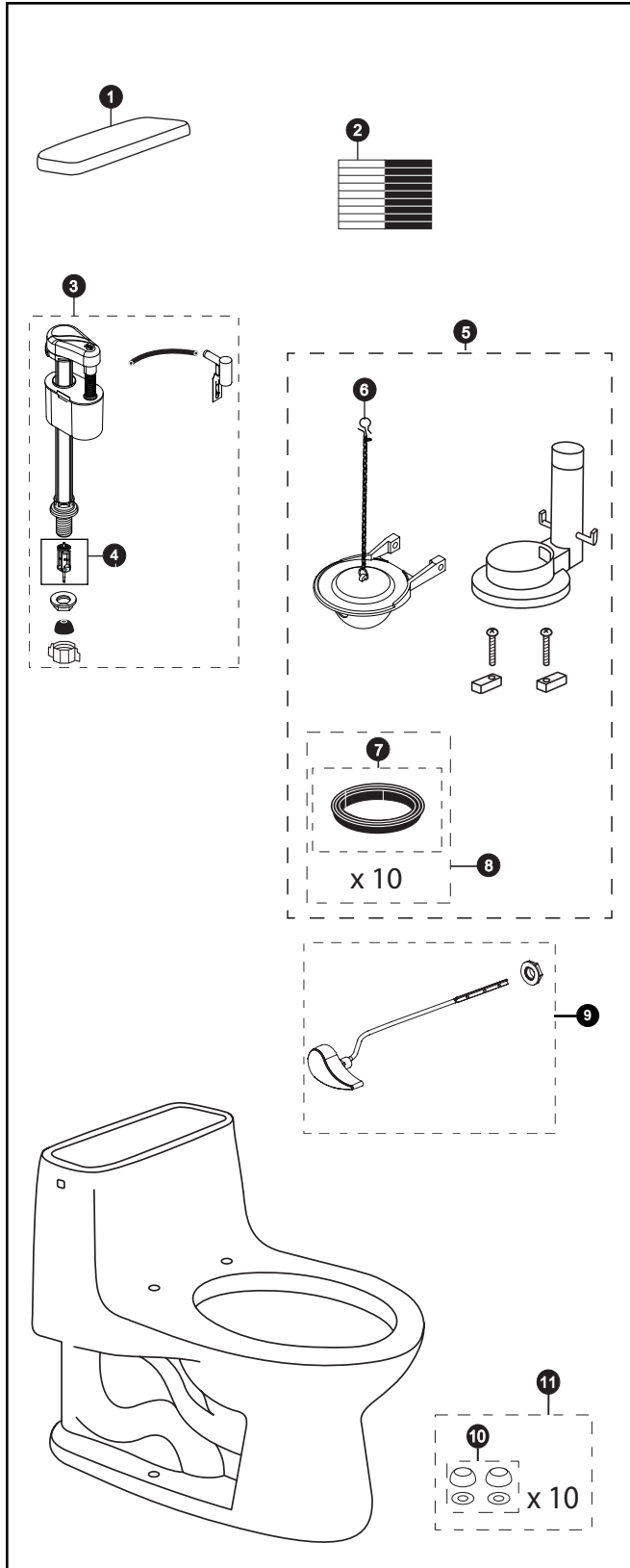


MS854114E & MS854114EL

MS854114E MS854114EL
CST854E CST854EL

Eco Ultramax®
1.28 Gpf Toilet, Elongated,
E-Max®, 12" Rough-In
(including ADA)



Actual product may differ slightly from illustration

Item	Part	Description
1	TCU854CRE#01 TCU854CRE#03 TCU854CRE#11 TCU854CRE#12 TCU854CRE#51	Tank Lid w/ Velcro Tape Tank Lid w/ Velcro Tape Tank Lid w/ Velcro Tape Tank Lid w/ Velcro Tape Tank Lid w/ Velcro Tape
2	THU107	Velcro Tape
3	TSU29A	Fill Valve
4	TSU229	Fill Valve Filter
5	THU251W	Flush Valve Assembly w/ Flapper
6	THU347S	Flapper w/ Chain
7	9BU002E	Flush Valve Gasket (1 Piece)
8	THU097	Flush Valve Gasket (10 Pieces)
9	THU004#01 THU004#03 THU004#11 THU004#12 THU004#51 THU004#CP	Trip Lever Trip Lever Trip Lever Trip Lever Trip Lever Trip Lever
10	THU098#01 THU098#03 THU098#11 THU098#12 THU098#51	Bolt Cap & Base - Cotton Bolt Cap & Base - Bone Bolt Cap & Base - Colonial White Bolt Cap & Base - Sedona Beige Bolt Cap & Base - Ebony
11	THU044S#01 THU044S#03 THU044S#11 THU044S#12 THU044S#51	Bolt Cap Set - Cotton Bolt Cap Set - Bone Bolt Cap Set - Colonial White Bolt Cap Set - Sedona Beige Bolt Cap Set - Ebony

Product Number Explanations

One-Piece Toilet

(MS) Toilet & Seat Combination
(854) Toilet Model
(114) Seat Model
(E) E-Max®
(L) ADA Compliant

One-Piece Toilet

(CST) Gravity Type Toilet
(854) Model
(E) E-Max®
(L) ADA Compliant

Colors

(#01) Cotton
(#03) Bone
(#11) Colonial White
(#12) Sedona Beige
(#51) Ebony

Finishes

#CP - Chrome Plated