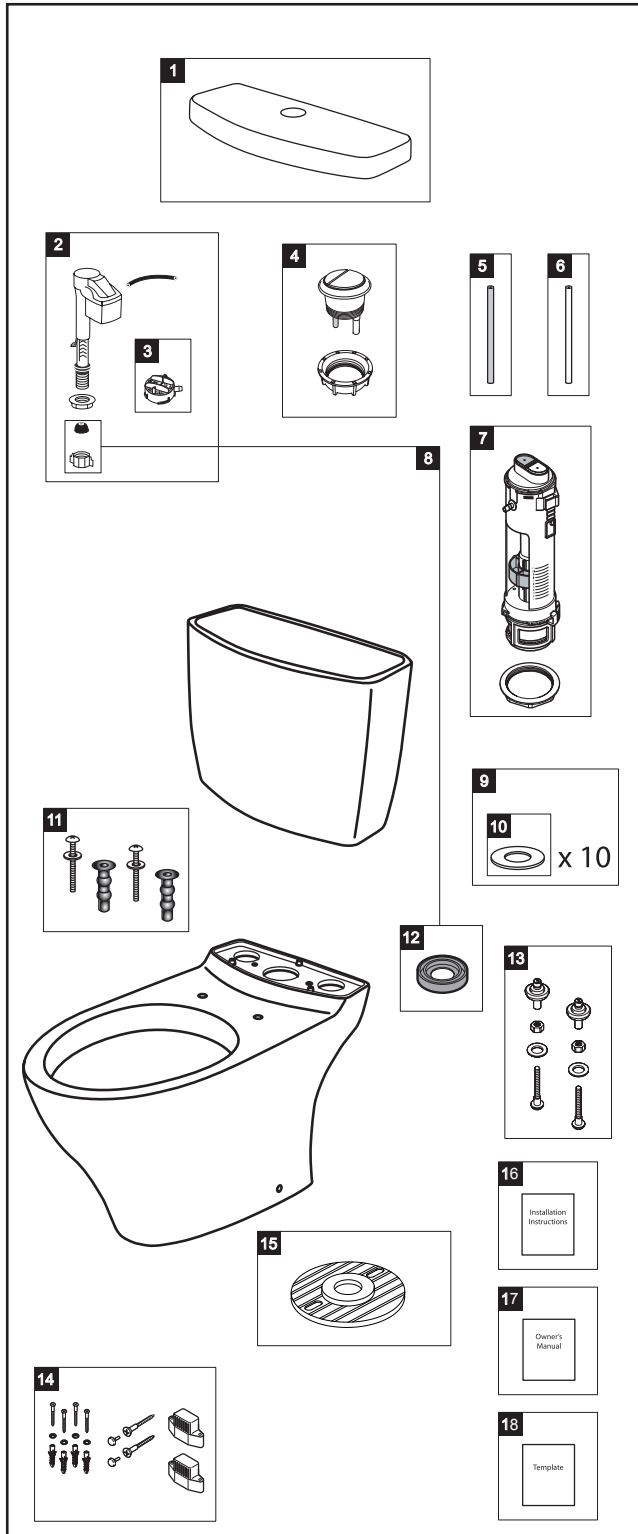


CST464MF
ST464M
CT464F

Aquia® III 1.6/0.9 Gpf Toilet, Elongated, Dual-Max®, 12" Rough-In Universal Height



Actual product may differ slightly from illustration.

Item	Part	Description
1	TCU464CR#01	Tank Lid w/ Velcro Tape - Cotton White
	TCU464CR#03	Tank Lid w/ Velcro Tape - Bone
	TCU464CR#04	Tank Lid w/ Velcro Tape - Grey
	TCU464CR#11	Tank Lid w/ Velcro Tape - Colonial White
	TCU464CR#12	Tank Lid w/ Velcro Tape - Sedona Beige
	TCU464CR#51	Tank Lid w/ Velcro Tape - Ebony
2	TSU09A.8R	Fill Valve - Dual-Max® - Lavelle
3	THU302	Diaphragm Cap - Lavelle
4	THU315#CP	Push Button - Chrome Plated
5	9AU187	Push Rod For Reduce Flush (160mm)
6	9AU186	Push Rod For Full Flush (160mm)
7	THU224	Flush Valve
8	THU238	Parts Bag Assembly
9	9BU064E	Flush Valve Gasket (1pc)
10	THU227	Flush Valve Gaskets (10 Pieces)
11	THU651N	Top Mounting Seat Hardware
12	9BU062E	Tank to Bowl Gasket
13	TS810DV2	Tank Top Mounting Kit
14	THU223#CP	Toilet Mounting Hardware - Chrome Plated
15	THU291	Socket Roughin
16	0GU031-3	Installation Instructions
17	0GU032-3	Owner's Manual
18	0GU146	Template - Installation - CST464M -Aquia® III

Product Number Explanations

Two-Piece Toilet	Tank	Bowl
(CST) Gravity Type Toilet	(ST) Tank	(CT) Bowl
(464) Model	(464) Model	(464) Model
(M) Dual-Max®	(M) Dual-Max®	
(F) Universal Height		