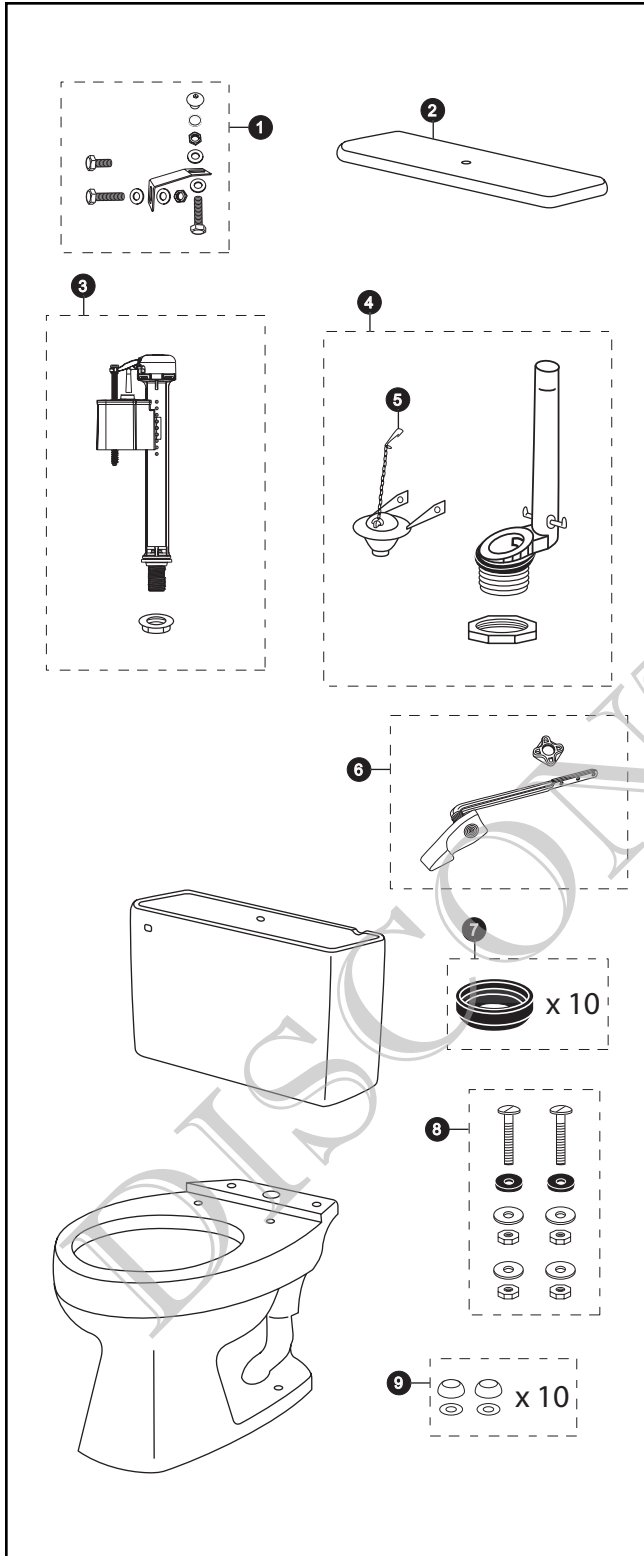


# CST703B.10

CST703B.10  
ST703B  
C703.10

## Commercial 1.6 Gpf Toilet, Round, Gravity, 10" Rough-In, Bolt Down Tank Lid



Item	Part	Description
1	THU089	Bolt Down Set
2	TCU703BCR#01	Bolt Down Tank Lid w/ Velcro Tape
	TCU703BCR#03	Bolt Down Tank Lid w/ Velcro Tape
	TCU703BCR#04	Bolt Down Tank Lid w/ Velcro Tape
	TCU703BCR#12	Bolt Down Tank Lid w/ Velcro Tape
	TCU703BCR#51	Bolt Down Tank Lid w/ Velcro Tape
3	TSU30A	Fill Valve
4	THU255-A	Flush Valve
5	THU257	Flapper w/ Chain
6	THU047#01	Trip Lever - Front Mount (Left Hand Threads)
	THU047#03	Trip Lever - Front Mount (Left Hand Threads)
	THU047#04	Trip Lever - Front Mount (Left Hand Threads)
	THU047#12	Trip Lever - Front Mount (Left Hand Threads)
	THU047#51	Trip Lever - Front Mount (Left Hand Threads)
	THU047#CP	Trip Lever - Front Mount (Left Hand Threads)
7	THU102	Tank to Bowl Gaskets (for 10 toilets)
8	TSU01D	Tank Mounting Kit
9	THU098#01	Bolt Cap Sets (for 10 toilets) for #01 & #11
	THU098#03	Bolt Cap Sets (for 10 toilets) for #03 & #12
	THU098#04	Bolt Cap Sets (for 10 toilets)
	THU098#51	Bolt Cap Sets (for 10 toilets)

**Note:**

### Product Number Explanations

**Two-Piece Toilet**

(CST) Gravity Type Toilet  
(703) Model  
(B) Bolt Down Tank Lid  
(.10) 10" Rough-In

**Tank**

(ST) Tank  
(703) Model  
(B) Bolt Down Tank Lid

**Bowl**

(C) Bowl  
(703) Model  
(.10) 10" Rough-In

**Colors**

(#01) Cotton  
(#03) Bone  
(#04) Gray  
(#12) Sedona Beige  
(#51) Ebony

**Finishes**

(#CP) Chrome Plated