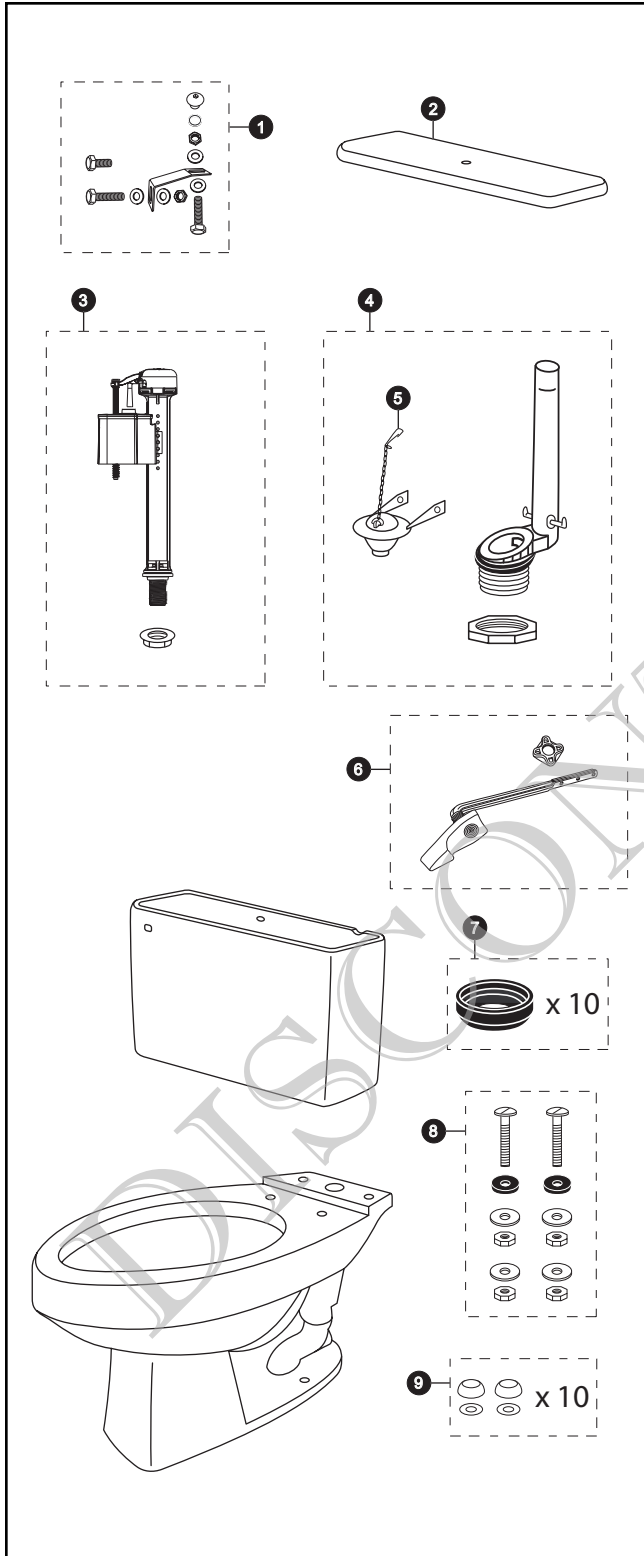


CST704B.10

CST704B.10
ST703B
C704.10

Commercial 1.6 Gpf Toilet, Elongated, Gravity, 10" Rough-In, Bolt Down Tank Lid



| Item | Part | Description |
|------|--------------|--|
| 1 | THU089 | Bolt Down Set |
| 2 | TCU703BCR#01 | Bolt Down Tank Lid w/ Velcro Tape |
| | TCU703BCR#03 | Bolt Down Tank Lid w/ Velcro Tape |
| | TCU703BCR#04 | Bolt Down Tank Lid w/ Velcro Tape |
| | TCU703BCR#12 | Bolt Down Tank Lid w/ Velcro Tape |
| | TCU703BCR#51 | Bolt Down Tank Lid w/ Velcro Tape |
| 3 | TSU30A | Fill Valve |
| 4 | THU255-A | Flush Valve |
| 5 | THU257 | Flapper w/ Chain |
| 6 | THU047#01 | Trip Lever - Front Mount (Left Hand Threads) |
| | THU047#03 | Trip Lever - Front Mount (Left Hand Threads) |
| | THU047#04 | Trip Lever - Front Mount (Left Hand Threads) |
| | THU047#12 | Trip Lever - Front Mount (Left Hand Threads) |
| | THU047#51 | Trip Lever - Front Mount (Left Hand Threads) |
| | THU047#CP | Trip Lever - Front Mount (Left Hand Threads) |
| 7 | THU102 | Tank to Bowl Gaskets (for 10 toilets) |
| 8 | TSU01D | Tank Mounting Kit |
| 9 | THU098#01 | Bolt Cap Sets (for 10 toilets) for #01 & #11 |
| | THU098#03 | Bolt Cap Sets (for 10 toilets) for #03 & #12 |
| | THU098#04 | Bolt Cap Sets (for 10 toilets) |
| | THU098#51 | Bolt Cap Sets (for 10 toilets) |

Note: TSU14A does not require a refill tube.

Product Number Explanations

Two-Piece Toilet
(CST) Gravity Type Toilet
(704) Model
(B) Bolt Down Tank Lid
(.10) 10" Rough-In

Tank
(ST) Tank
(703) Model
(B) Bolt Down Tank Lid

Bowl
(C) Bowl
(704) Model
(.10) 10" Rough-In

Colors
(#01) Cotton
(#03) Bone
(#04) Gray
(#12) Sedona Beige
(#51) Ebony

Finishes
(#CP) Chrome Plated