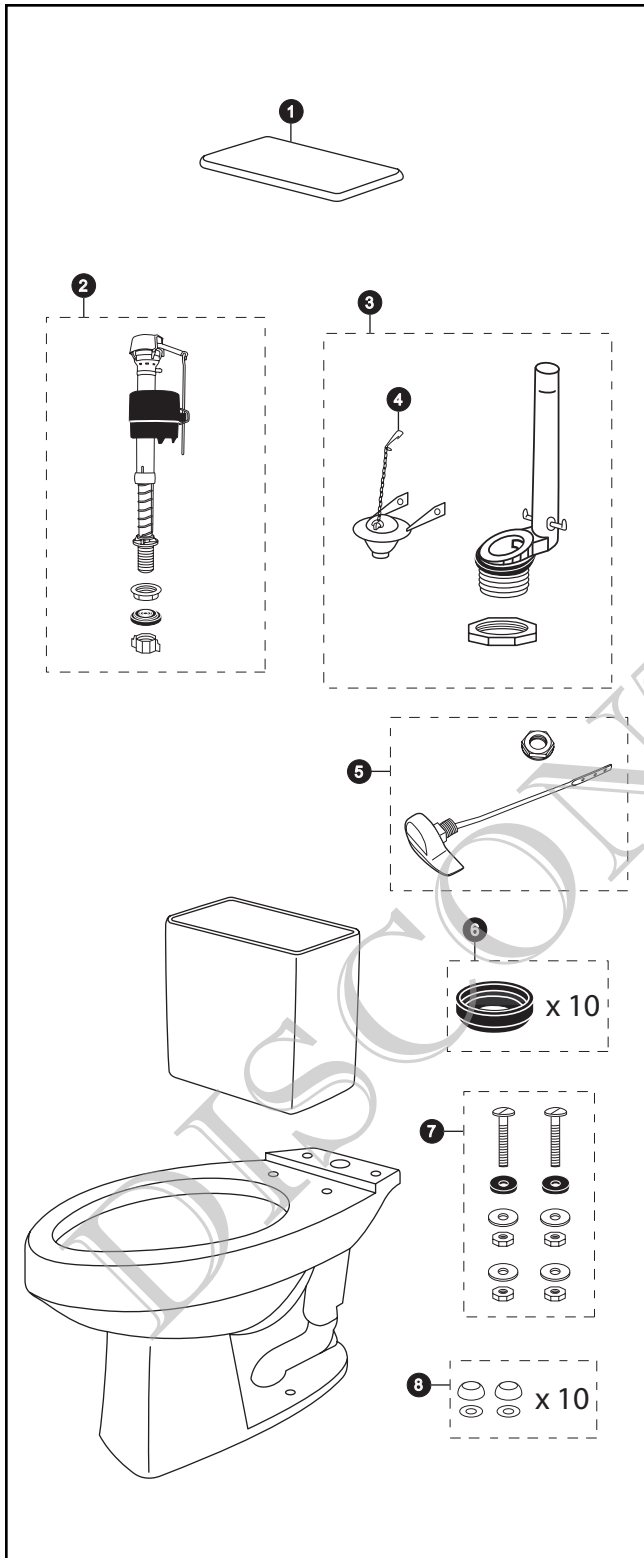


CST704L.14

CST704L.14
ST701
C704L

Commercial 1.6 Gpf Toilet, Elongated, Gravity, ADA, 14" Rough-In



Item	Part	Description
1	TCU701CR#01	Tank Lid w/ Velcro Tape
	TCU701CR#03	Tank Lid w/ Velcro Tape
	TCU701CR#04	Tank Lid w/ Velcro Tape
	TCU701CR#12	Tank Lid w/ Velcro Tape
	TCU701CR#51	Tank Lid w/ Velcro Tape
2	TSU13A	Fill Valve
3	THU255-A	Flush Valve
4	THU257	Flapper w/ Chain
5	THU004#01	Trip Lever
	THU004#03	Trip Lever
	THU004#04	Trip Lever
	THU004#11	Trip Lever
	THU004#12	Trip Lever
	THU004#51	Trip Lever
	THU004#CP	Trip Lever
	THU004#PB	Trip Lever
6	THU102	Tank to Bowl Gaskets (for 10 toilets)
7	TSU01D	Tank Mounting Kit
8	THU098#01	Bolt Cap Sets (for 10 toilets) for #01 & #11
	THU098#03	Bolt Cap Sets (for 10 toilets) for #03 & #12
	THU098#04	Bolt Cap Sets (for 10 toilets)
	THU098#51	Bolt Cap Sets (for 10 toilets)

Note: TSU13A does not require a refill tube.
ST701 tank allows C704L bowl to be used in a 14" Rough-In.

Product Number Explanations

Two-Piece Toilet
(CST) Gravity Type Toilet
(704) Model
(L) ADA Compliant
(.14) 14" Rough-In

Tank
(ST) Tank
(701) Model

Bowl
(C) Bowl
(704) Model
(L) ADA Compliant

Colors
(#01) Cotton
(#03) Bone
(#04) Gray
(#12) Sedona Beige
(#51) Ebony

Finishes
(#CP) Chrome Plated
(#PB) Polished Brass