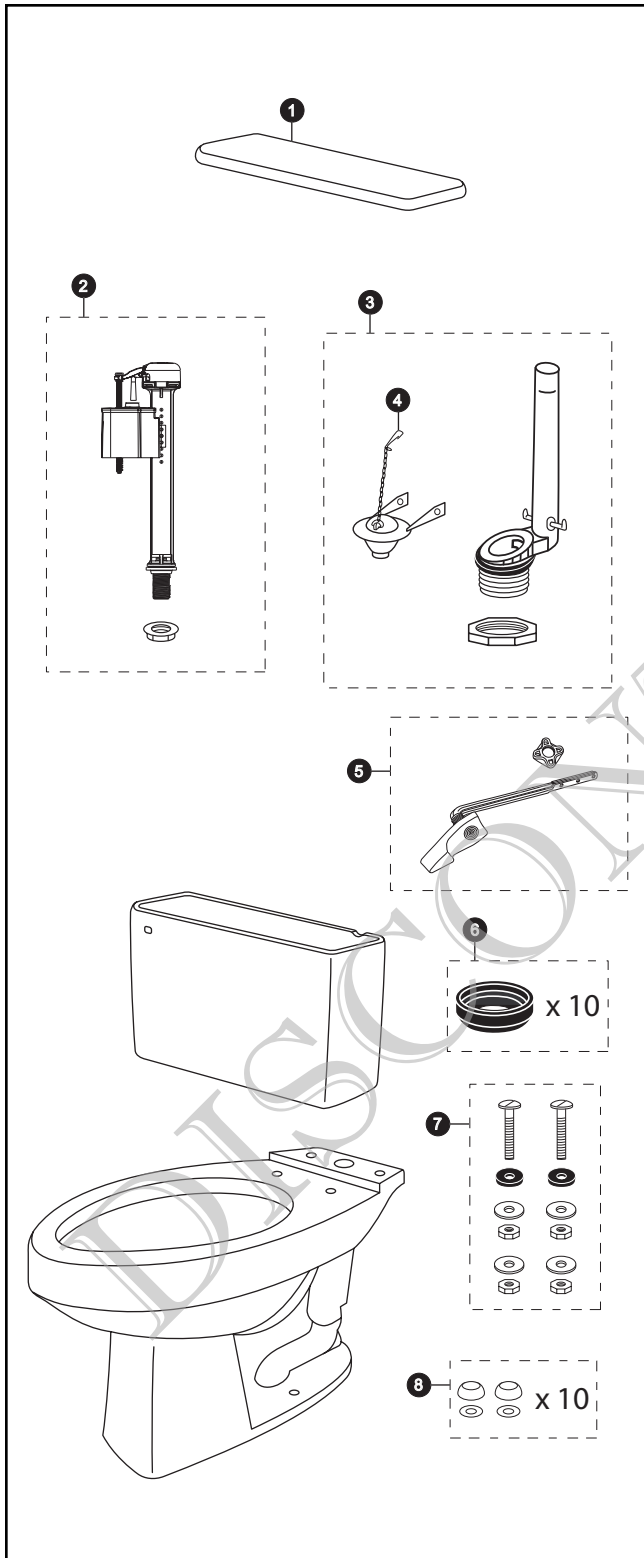


CST704L

CST704L
ST703
C704L

Commercial 1.6 Gpf Toilet, Elongated, Gravity, ADA, 12" Rough-In



Item	Part	Description
1	TCU703CR#01	Tank Lid w/ Velcro Tape
	TCU703CR#03	Tank Lid w/ Velcro Tape
	TCU703CR#04	Tank Lid w/ Velcro Tape
	TCU703CR#12	Tank Lid w/ Velcro Tape
	TCU703CR#51	Tank Lid w/ Velcro Tape
2	TSU30A	Fill Valve
3	THU255-A	Flush Valve
4	THU257	Flapper w/ Chain
5	THU047#01	Trip Lever - Front Mount (Left Hand Threads)
	THU047#03	Trip Lever - Front Mount (Left Hand Threads)
	THU047#04	Trip Lever - Front Mount (Left Hand Threads)
	THU047#12	Trip Lever - Front Mount (Left Hand Threads)
	THU047#51	Trip Lever - Front Mount (Left Hand Threads)
	THU047#CP	Trip Lever - Front Mount (Left Hand Threads)
6	THU102	Tank to Bowl Gaskets (for 10 toilets)
7	TSU01D	Tank Mounting Kit
8	THU098#01	Bolt Cap Sets (for 10 toilets) for #01 & #11
	THU098#03	Bolt Cap Sets (for 10 toilets) for #03 & #12
	THU098#04	Bolt Cap Sets (for 10 toilets)
	THU098#51	Bolt Cap Sets (for 10 toilets)

Note:

Product Number Explanations

Two-Piece Toilet

(CST) Gravity Type Toilet
(704) Model
(L) ADA Compliant

Tank

(ST) Tank
(703) Model

Bowl

(C) Bowl
(704) Model
(L) ADA Compliant

Colors

(#01) Cotton
(#03) Bone
(#04) Gray
(#12) Sedona Beige
(#51) Ebony

Finishes

(#CP) Chrome Plated