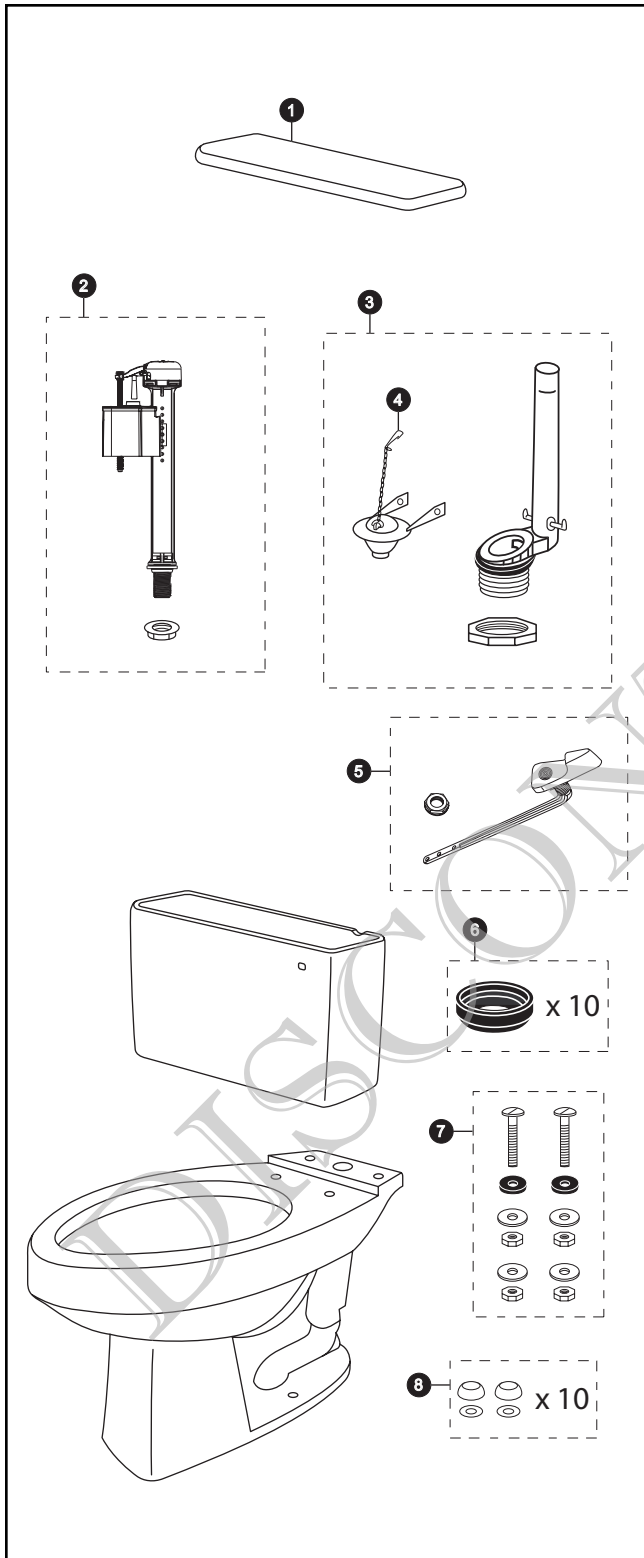


CST704LR

CST704LR
ST703R
C704L

Commercial 1.6 Gpf Toilet, Elongated, Gravity, ADA, 12" Rough-In, Right Hand Trip Lever



Item	Part	Description
1	TCU703CR#01	Tank Lid w/ Velcro Tape
	TCU703CR#03	Tank Lid w/ Velcro Tape
	TCU703CR#04	Tank Lid w/ Velcro Tape
	TCU703CR#12	Tank Lid w/ Velcro Tape
	TCU703CR#51	Tank Lid w/ Velcro Tape
2	TSU30A	Fill Valve
3	THU255-A	Flush Valve
4	THU257	Flapper w/ Chain
5	THU091#CP	Trip Lever - Right Hand
6	THU102	Tank to Bowl Gaskets (for 10 toilets)
7	TSU01D	Tank Mounting Kit
8	THU098#01	Bolt Cap Sets (for 10 toilets) for #01 & #11
	THU098#03	Bolt Cap Sets (for 10 toilets) for #03 & #12
	THU098#04	Bolt Cap Sets (for 10 toilets)
	THU098#51	Bolt Cap Sets (for 10 toilets)

Note:

Product Number Explanations

Two-Piece Toilet
(CST) Gravity Type Toilet
(704) Model
(L) ADA Compliant
(R) Right Hand Trip Lever

Tank
(ST) Tank
(703) Model
(R) Right Hand Trip Lever

Bowl
(C) Bowl
(704) Model
(L) ADA Compliant

Colors
(#01) Cotton
(#03) Bone
(#04) Gray
(#12) Sedona Beige
(#51) Ebony

Finishes
(#CP) Chrome Plated