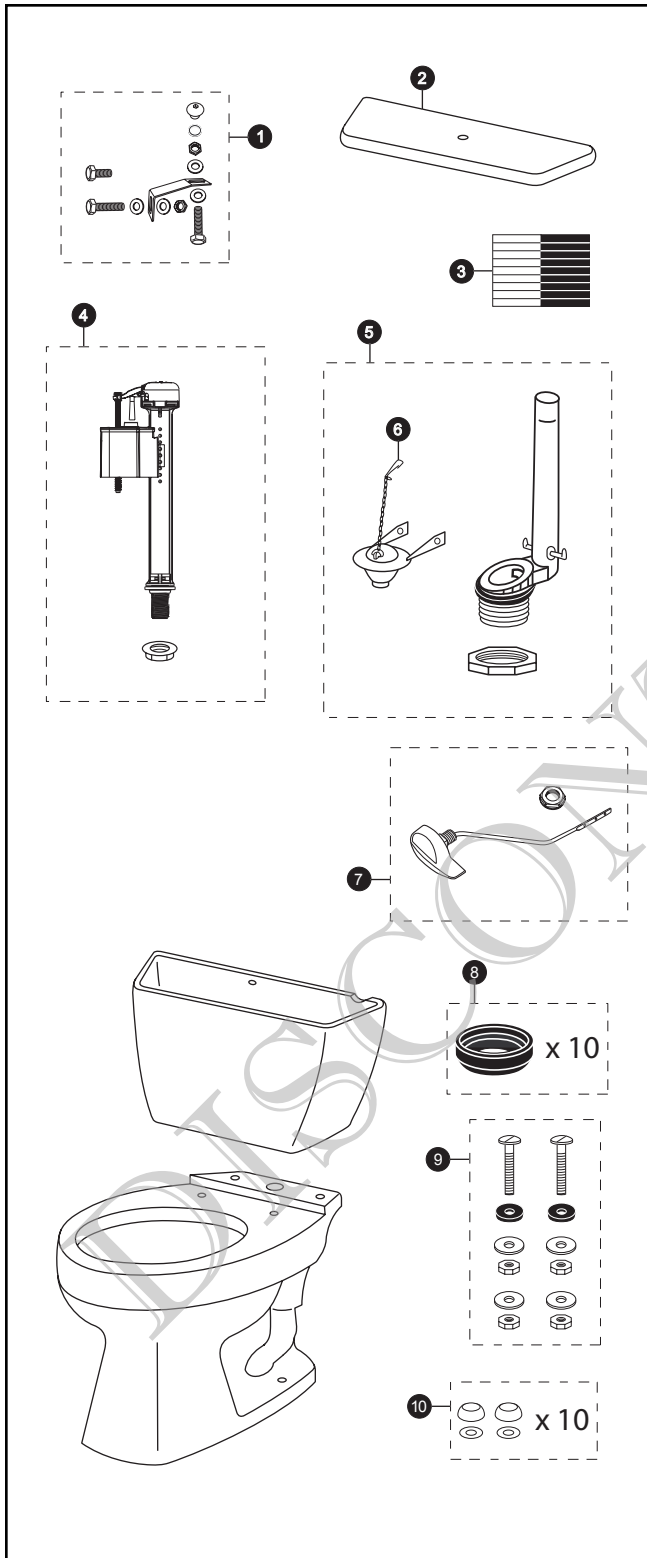


## CST713B.10

CST713B.10  
ST706B  
C713.10

### Carusoe™ 1.6 Gpf Toilet, Round, Gravity, 10" Rough-In, Bolt Down Tank Lid



Item	Part	Description
1	THU089	Bolt Down Set
2	TCU706BCR#01	Bolt Down Tank Lid w/ Velcro Tape
	TCU706BCR#03	Bolt Down Tank Lid w/ Velcro Tape
	TCU706BCR#04	Bolt Down Tank Lid w/ Velcro Tape
	TCU706BCR#11	Bolt Down Tank Lid w/ Velcro Tape
	TCU706BCR#12	Bolt Down Tank Lid w/ Velcro Tape
	TCU706BCR#51	Bolt Down Tank Lid w/ Velcro Tape
3	THU107	Velcro Tape
4	TSU30A	Fill Valve
5	THU255-A	Flush Valve
6	THU257	Flapper w/ Chain
7	THU061#01	Trip Lever
	THU061#03	Trip Lever
	THU061#04	Trip Lever
	THU061#11	Trip Lever
	THU061#12	Trip Lever
	THU061#51	Trip Lever
	THU061#CP	Trip Lever
	THU061#PB	Trip Lever
8	THU102	Tank to Bowl Gaskets (for 10 toilets)
9	TSU01D	Tank Mounting Kit
10	THU098#01	Bolt Cap Sets (for 10 toilets) for #01 & #11
	THU098#03	Bolt Cap Sets (for 10 toilets) for #03 & #12
	THU098#04	Bolt Cap Sets (for 10 toilets)
	THU098#51	Bolt Cap Sets (for 10 toilets)

**Note:**

### Product Number Explanations

**Two-Piece Toilet**  
(CST) Gravity Type Toilet  
(713) Model  
(B) Bolt Down Tank Lid  
(.10) 10" Rough-In

**Tank**  
(ST) Tank  
(706) Model  
(B) Bolt Down Tank Lid

**Bowl**  
(C) Bowl  
(713) Model  
(.10) 10" Rough-In

**Colors**  
(#01) Cotton  
(#03) Bone  
(#04) Gray  
(#11) Colonial White  
(#12) Sedona Beige  
(#51) Ebony

**Finishes**  
(#CP) Chrome Plated  
(#PB) Polished Brass