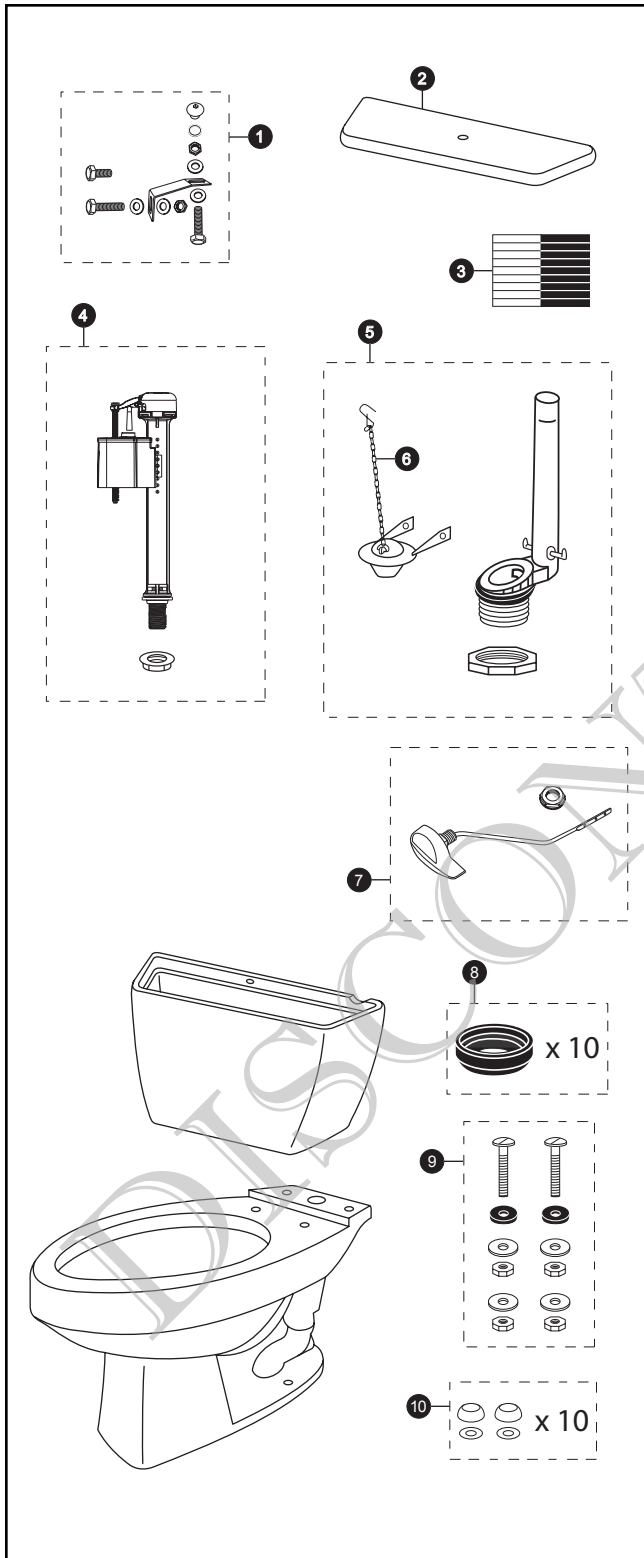


CST714DB.10

CST714DB.10
ST706DB
C714.10

Carusoe™ 1.6 Gpf Toilet, Elongated, Gravity, 10" Rough-In, Insulated Tank, Bolt Down Tank Lid



Item	Part	Description
1	THU089	Bolt Down Set
2	TCU706BCR#01	Bolt Down Tank Lid w/ Velcro Tape
	TCU706BCR#03	Bolt Down Tank Lid w/ Velcro Tape
	TCU706BCR#04	Bolt Down Tank Lid w/ Velcro Tape
	TCU706BCR#11	Bolt Down Tank Lid w/ Velcro Tape
	TCU706BCR#12	Bolt Down Tank Lid w/ Velcro Tape
	TCU706BCR#51	Bolt Down Tank Lid w/ Velcro Tape
3	THU107	Velcro Tape
4	TSU30A	Fill Valve
5	THU258-A	Flush Valve
6	THU260	Flapper w/ Chain - Insulated Tank
7	THU061#01	Trip Lever
	THU061#03	Trip Lever
	THU061#04	Trip Lever
	THU061#11	Trip Lever
	THU061#12	Trip Lever
	THU061#51	Trip Lever
	THU061#CP	Trip Lever
	THU061#PB	Trip Lever
8	THU102	Tank to Bowl Gaskets (for 10 toilets)
9	TSU01D	Tank Mounting Kit
10	THU098#01	Bolt Cap Sets (for 10 toilets) for #01 & #11
	THU098#03	Bolt Cap Sets (for 10 toilets) for #03 & #12
	THU098#04	Bolt Cap Sets (for 10 toilets)
	THU098#51	Bolt Cap Sets (for 10 toilets)

Note:

Product Number Explanations

Two-Piece Toilet
(CST) Gravity Type Toilet
(714) Model
(D) Insulated Tank
(B) Bolt Down Tank Lid
(.10) 10" Rough-In

Colors

(#01) Cotton
(#03) Bone
(#04) Gray
(#11) Colonial White
(#12) Sedona Beige
(#51) Ebony

Tank

(ST) Tank
(706) Model
(D) Insulated Tank
(B) Bolt Down Tank Lid

Finishes

(#CP) Chrome Plated
(#PB) Polished Brass

Bowl

(C) Bowl
(714) Model
(.10) 10" Rough-In