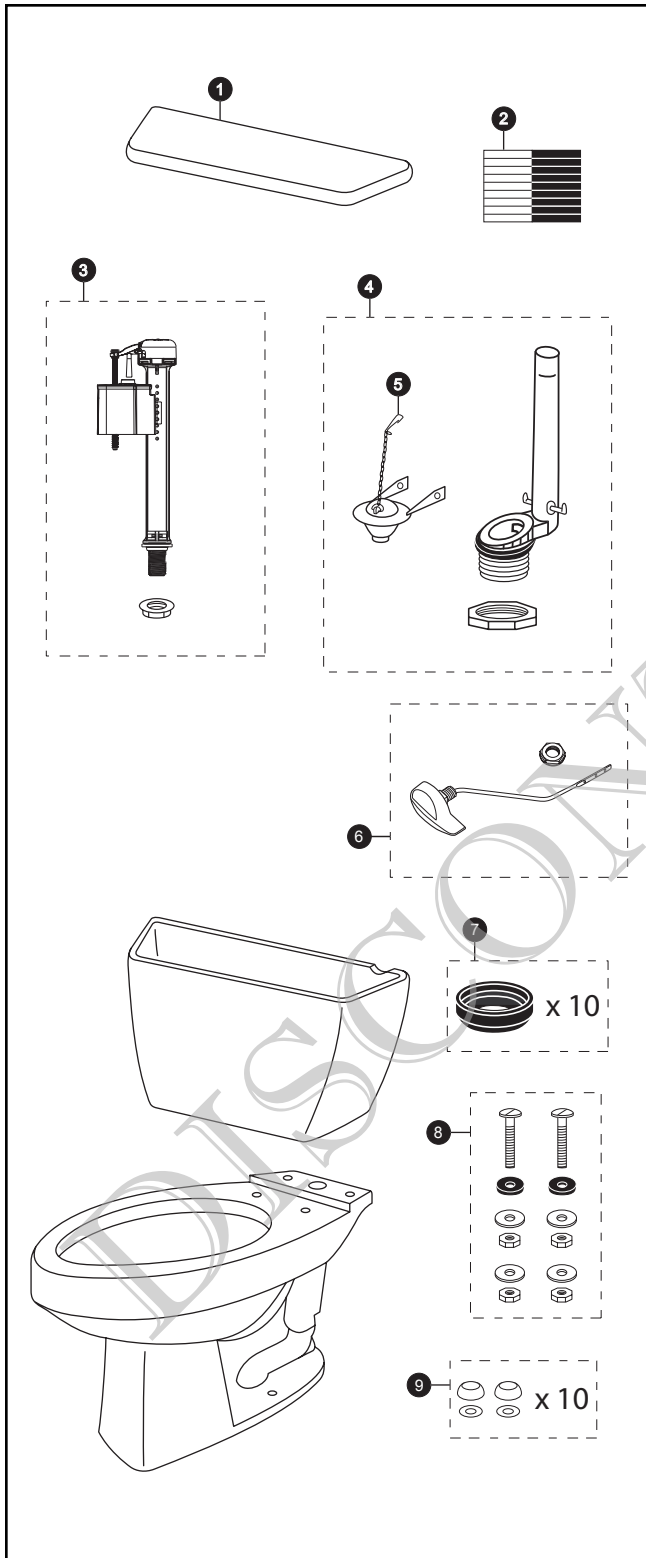


CST714L

CST714L
ST706
C714L

Carusoe™
1.6 Gpf Toilet, Elongated,
Gravity, ADA, 12" Rough-In



Item	Part	Description
1	TCU706CR#01	Tank Lid w/ Velcro Tape
	TCU706CR#03	Tank Lid w/ Velcro Tape
	TCU706CR#04	Tank Lid w/ Velcro Tape
	TCU706CR#11	Tank Lid w/ Velcro Tape
	TCU706CR#12	Tank Lid w/ Velcro Tape
	TCU706CR#51	Tank Lid w/ Velcro Tape
2	THU107	Velcro Tape
3	TSU30A	Fill Valve
4	THU255-A	Flush Valve
5	THU257	Flapper w/ Chain
6	THU061#01	Trip Lever
	THU061#03	Trip Lever
	THU061#04	Trip Lever
	THU061#11	Trip Lever
	THU061#12	Trip Lever
	THU061#51	Trip Lever
	THU061#CP	Trip Lever
	THU061#PB	Trip Lever
7	THU102	Tank to Bowl Gaskets (for 10 toilets)
8	TSU01D	Tank Mounting Kit
9	THU098#01	Bolt Cap Sets (for 10 toilets) for #01 & #11
	THU098#03	Bolt Cap Sets (for 10 toilets) for #03 & #12
	THU098#04	Bolt Cap Sets (for 10 toilets)
	THU098#51	Bolt Cap Sets (for 10 toilets)

Note:

Product Number Explanations

Two-Piece Toilet

(CST) Gravity Type Toilet
(714) Model
(L) ADA Compliant

Tank

(ST) Tank
(706) Model

Bowl

(C) Bowl
(714) Model
(L) ADA Compliant

Colors

(#01) Cotton
(#03) Bone
(#04) Gray
(#11) Colonial White
(#12) Sedona Beige
(#51) Ebony

Finishes

(#CP) Chrome Plated
(#PB) Polished Brass