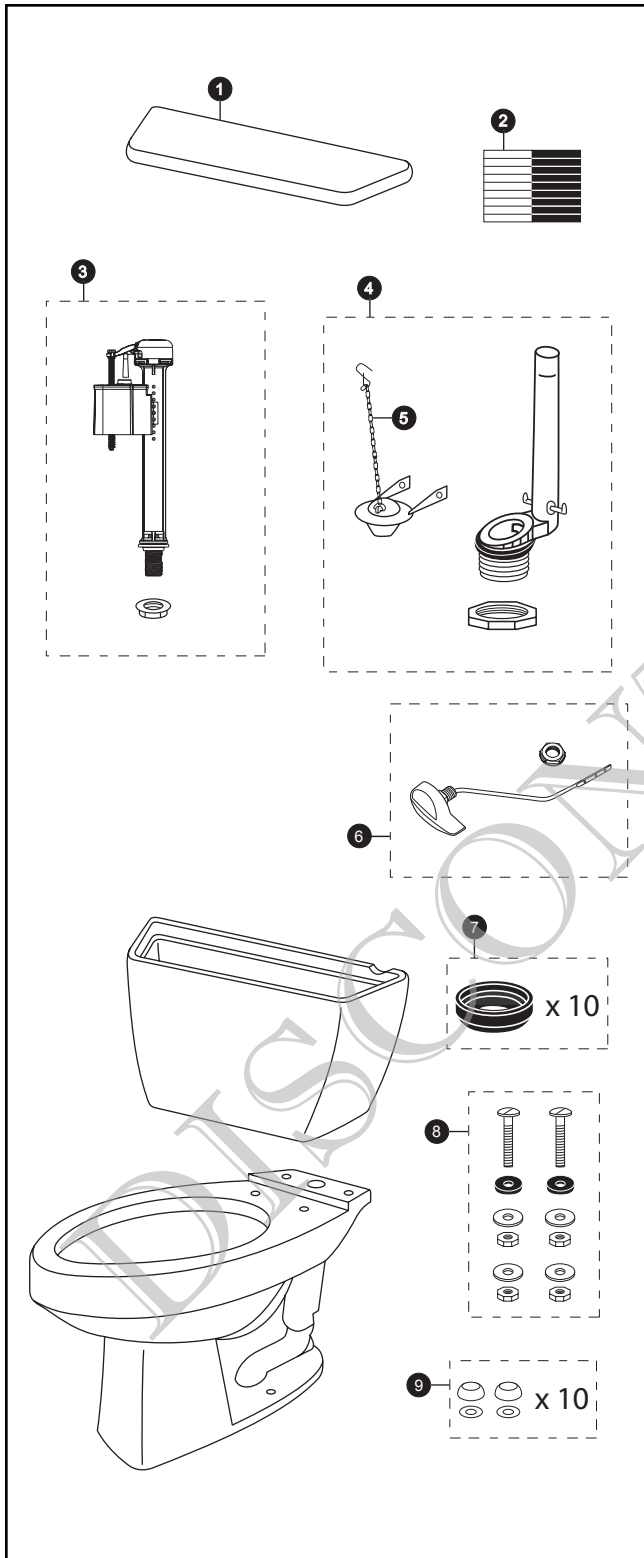


CST714LD

CST714LD
ST706D
C714L

Carusoe™ 1.6 Gpf Toilet, Elongated, Gravity, ADA, 12" Rough-In, Insulated Tank



Item	Part	Description
1	TCU706CR#01	Tank Lid w/ Velcro Tape
	TCU706CR#03	Tank Lid w/ Velcro Tape
	TCU706CR#04	Tank Lid w/ Velcro Tape
	TCU706CR#11	Tank Lid w/ Velcro Tape
	TCU706CR#12	Tank Lid w/ Velcro Tape
	TCU706CR#51	Tank Lid w/ Velcro Tape
2	THU107	Velcro Tape
3	TSU30A	Fill Valve
4	THU258-A	Flush Valve
5	THU260	Flapper w/ Chain - Insulated Tank
6	THU061#01	Trip Lever
	THU061#03	Trip Lever
	THU061#04	Trip Lever
	THU061#11	Trip Lever
	THU061#12	Trip Lever
	THU061#51	Trip Lever
	THU061#CP	Trip Lever
	THU061#PB	Trip Lever
7	THU102	Tank to Bowl Gaskets (for 10 toilets)
8	TSU01D	Tank Mounting Kit
9	THU098#01	Bolt Cap Sets (for 10 toilets) for #01 & #11
	THU098#03	Bolt Cap Sets (for 10 toilets) for #03 & #12
	THU098#04	Bolt Cap Sets (for 10 toilets)
	THU098#51	Bolt Cap Sets (for 10 toilets)

Note:

Product Number Explanations

Two-Piece Toilet
(CST) Gravity Type Toilet
(714) Model
(L) ADA Compliant
(D) Insulated Tank

Tank
(ST) Tank
(706) Model
(D) Insulated Tank

Bowl
(C) Bowl
(714) Model
(L) ADA Compliant

Colors
(#01) Cotton
(#03) Bone
(#04) Gray
(#11) Colonial White
(#12) Sedona Beige
(#51) Ebony

Finishes
(#CP) Chrome Plated
(#PB) Polished Brass