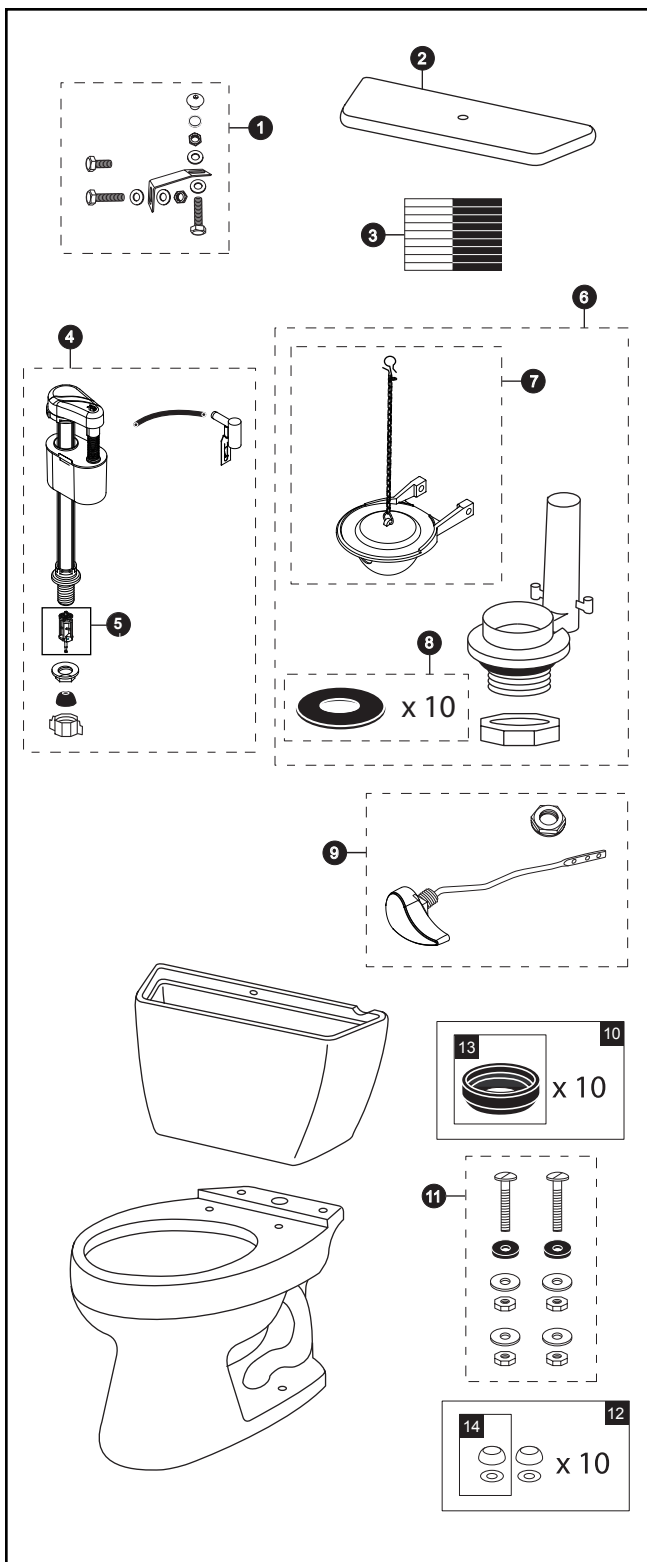


CST743SDB

CST743SDB
ST743SDB
C743S

Drake® 1.6 Gpf Toilet, Round, G-Max®, 12" Rough-In, Insulated Tank, Bolt Down Tank Lid



Item	Part	Description
1	THU089	Bolt Down Set
2	TCU743BCR#01 TCU743BCR#03 TCU743BCR#04 TCU743BCR#11 TCU743BCR#12 TCU743BCR#51	Bolt Down Tank Lid w/ Velcro Tape
3	THU107	Velcro Tape
4	TSU24A	Fill Valve
5	THU229	Fill Valve Filter
6	THU130	Flush Valve
7	THU331S	Flapper w/ Chain
8	THU096	Flapper Gaskets (for 10 toilets) (10 Pieces)
9	THU068#01 THU068#03 THU068#04 THU068#11 THU068#12 THU068#51 THU068#BN THU068#CP THU068#PN	Trip Lever
10	THU131	Tank to Bowl Gaskets (for 10 toilets)
11	TSU01D	Tank Mounting Kit
12	THU098#01 THU098#03 THU098#04 THU098#51	Bolt Cap Sets (for 10 toilets) for #01 & #11 Bolt Cap Sets (for 10 toilets) for #03 & #12 Bolt Cap Sets (for 10 toilets) Bolt Cap Sets (for 10 toilets)
13	9BU024E	3" Tank to Bowl Gasket
14	THU044#01 THU044#03 THU044#04 THU044#51	Bolt Cap Sets (for 10 toilets) for #01 & #11 Bolt Cap Sets (for 10 toilets) for #03 & #12 Bolt Cap Sets (for 10 toilets) Bolt Cap Sets (for 10 toilets)

Product Number Explanations

Two-Piece Toilet

(CST) Gravity Type Toilet
(743) Model
(S) G-Max®
(D) Insulated Tank
(B) Bolt Down Tank Lid

Colors

(#01) Cotton
(#03) Bone
(#04) Gray
(#11) Colonial White
(#12) Sedona Beige
(#51) Ebony

Tank

(ST) Tank
(743) Model
(S) G-Max®
(D) Insulated Tank
(B) Bolt Down Tank Lid

Finishes

(#CP) Chrome Plated
(#BN) PVD Brushed Nickel
(#PN) PVD Polished Nickel

Bowl

(C) Bowl
(743) Model
(S) G-Max®

Actual product may differ slightly from illustration.