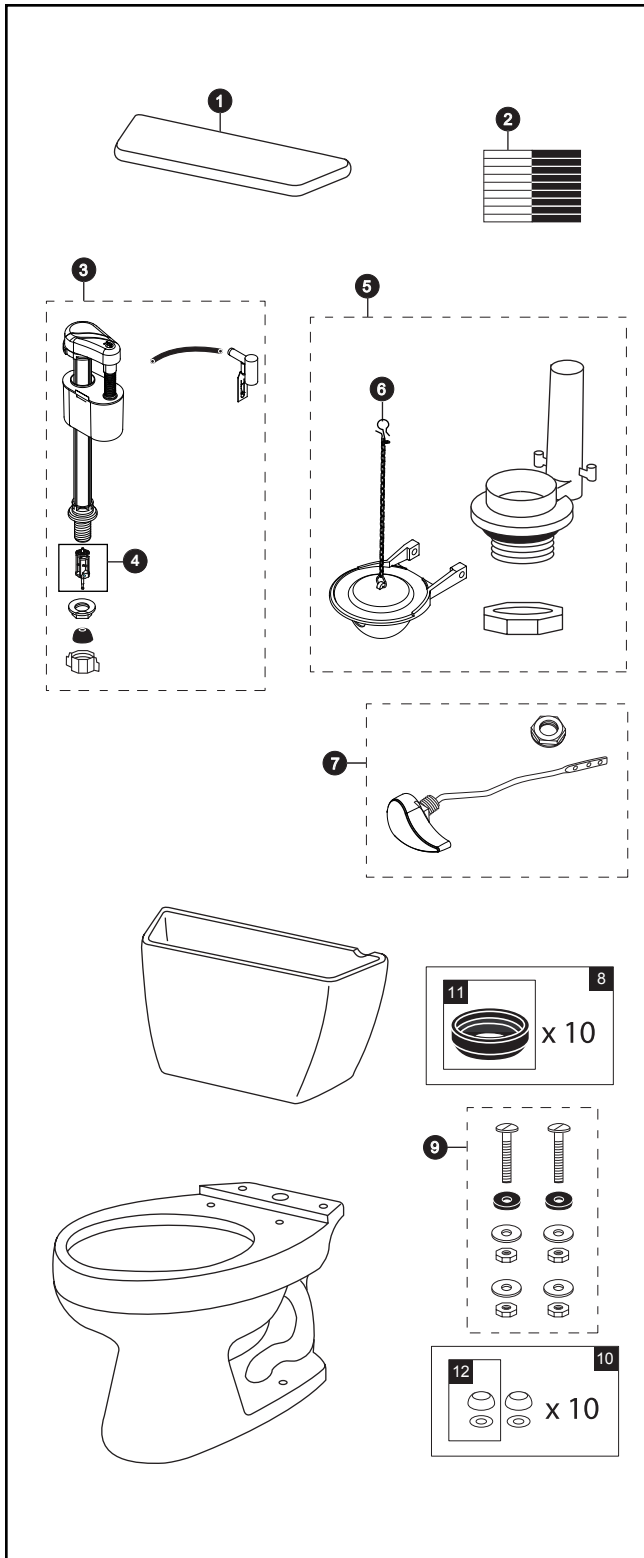


CST744S & CST744SG

CST744S CST744SG
 ST743S ST743S
 C744S C744SG

Drake® 1.6 Gpf Toilet, Elongated, G-Max®, 12" Rough-In, (including SanaGloss®)



Actual product may differ slightly from illustration.

Item	Part	Description
1	TCU743CR#01	Tank Lid w/ Velcro Tape
	TCU743CR#03	Tank Lid w/ Velcro Tape
	TCU743CR#04	Tank Lid w/ Velcro Tape
	TCU743CR#11	Tank Lid w/ Velcro Tape
	TCU743CR#12	Tank Lid w/ Velcro Tape
	TCU743CR#51	Tank Lid w/ Velcro Tape
2	THU107	Velcro Tape
3	TSU24A	Fill Valve
4	THU229	Fill Valve Filter
5	THU129W-A	Flush Valve
6	THU175S	Flapper w/ Chain
7	THU068#01	Trip Lever
	THU068#03	Trip Lever
	THU068#04	Trip Lever
	THU068#11	Trip Lever
	THU068#12	Trip Lever
	THU068#51	Trip Lever
	THU068#BN	Trip Lever
	THU068#CP	Trip Lever
	THU068#PN	Trip Lever
8	THU131	Tank to Bowl Gaskets (for 10 toilets)
9	TSU01D	Tank Mounting Kit
10	THU098#01	Bolt Cap Sets (for 10 toilets) for #01 & #11
	THU098#03	Bolt Cap Sets (for 10 toilets) for #03 & #12
	THU098#04	Bolt Cap Sets (for 10 toilets)
	THU098#51	Bolt Cap Sets (for 10 toilets)
11	9BU024E	3" Tank to Bowl Gasket
12	THU044#01	Bolt Cap Sets (for 10 toilets) for #01 & #11
	THU044#03	Bolt Cap Sets (for 10 toilets) for #03 & #12
	THU044#04	Bolt Cap Sets (for 10 toilets)
	THU044#51	Bolt Cap Sets (for 10 toilets)

Product Number Explanations

Two-Piece Toilet
 (CST) Gravity Type Toilet
 (744) Model
 (S) G-Max®
 (G) SanaGloss®

Tank
 (ST) Tank
 (743) Model
 (S) G-Max®

Bowl
 (C) Bowl
 (744) Model
 (S) G-Max®
 (G) SanaGloss®

Colors
 (#01) Cotton
 (#03) Bone
 (#04) Gray
 (#11) Colonial White
 (#12) Sedona Beige
 (#51) Ebony

Finishes
 (#BN) Brushed Nickel
 (#CP) Chrome Plated
 (#PN) Polished Nickel