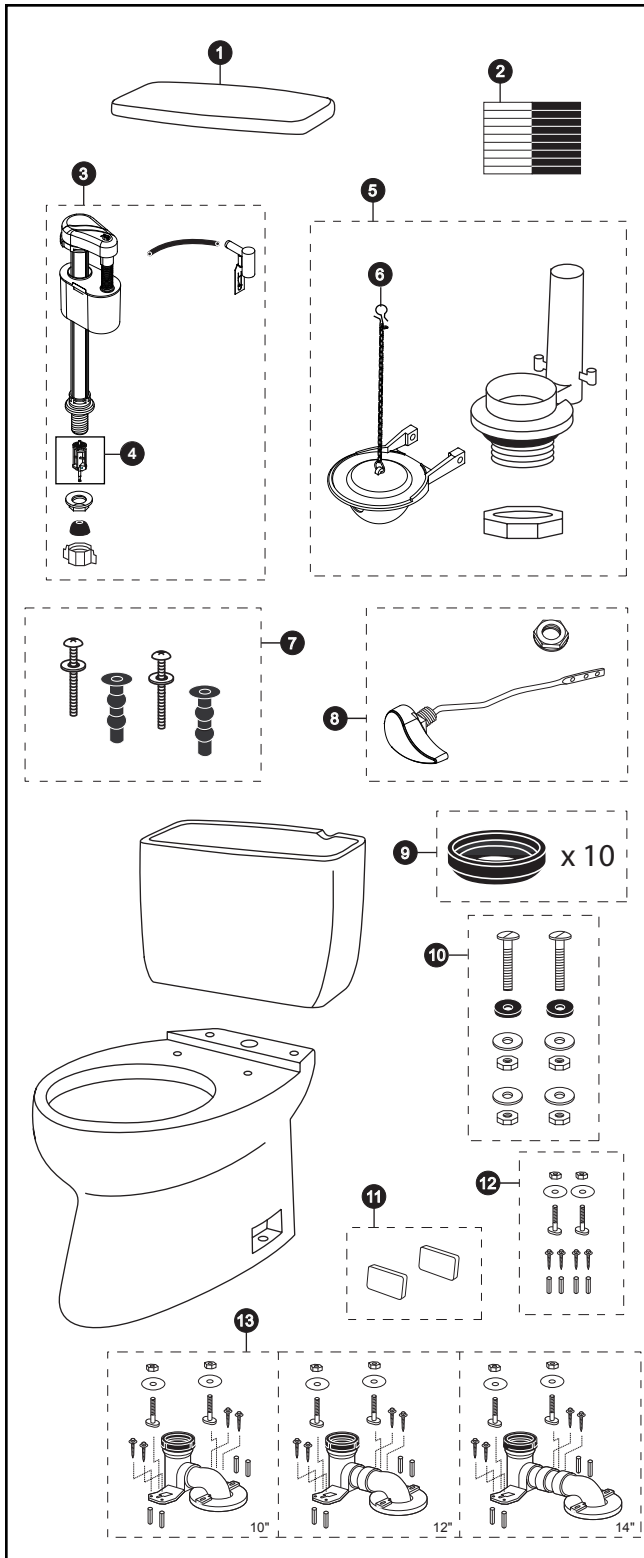


# CST764S & CST764SG

CST764S    CST764SG  
 ST707S    ST707S  
 CT764S    CT764SG

## Vespin® 1.6 Gpf Toilet, Elongated, G-Max®, UniFit Rough-In, (including SanaGloss®)



Item	Part	Description
1	TCU707CR#01	Tank Lid w/ Velcro Tape
	TCU707CR#03	Tank Lid w/ Velcro Tape
	TCU707CR#04	Tank Lid w/ Velcro Tape
	TCU707CR#11	Tank Lid w/ Velcro Tape
	TCU707CR#12	Tank Lid w/ Velcro Tape
	TCU707CR#51	Tank Lid w/ Velcro Tape
2	THU107	Velcro Tape
3	TSU16A	Fill Valve
4	THU229	Fill Valve Filter
5	THU129W-A	Flush Valve
6	THU331S	Flapper w/ Chain
7	THU651N	Top Mounting Seat Hardware
8	THU068#01	Trip Lever
	THU068#03	Trip Lever
	THU068#04	Trip Lever
	THU068#11	Trip Lever
	THU068#12	Trip Lever
	THU068#51	Trip Lever
	THU068#BN	Trip Lever
	THU068#CP	Trip Lever
	THU068#PN	Trip Lever
9	THU131	Tank to Bowl Gaskets (for 10 toilets)
10	TSU01D	Tank Mounting Kit
11	TCU884CV#01	Side Plates w/ Velcro Tape
	TCU884CV#03	Side Plates w/ Velcro Tape
	TCU884CV#04	Side Plates w/ Velcro Tape
	TCU884CV#11	Side Plates w/ Velcro Tape
	TCU884CV#12	Side Plates w/ Velcro Tape
	TCU884CV#51	Side Plates w/ Velcro Tape
12	THU020	UniFit Mounting Set
13	TSU01W.10	UniFit - 10" Rough-In
	TSU01W.12R	UniFit - 12" Rough-In
	TSU01W.14	UniFit - 14" Rough-In

### Product Number Explanations

Two-Piece Toilet	Tank	Bowl
(CST) Gravity Type Toilet	(ST) Tank	(C) Bowl
(764) Model	(707) Model	(764) Model
(S) G-Max®	(S) G-Max®	(S) G-Max®
(G) SanaGloss®		(G) SanaGloss®
<b>Colors</b>	<b>Finishes</b>	
(#01) Cotton	(#BN) Brushed Nickel	
(#03) Bone	(#CP) Chrome Plated	
(#04) Gray	(#PN) Polished Nickel	
(#11) Colonial White		
(#12) Sedona Beige		
(#51) Ebony		

Actual product may differ slightly from illustration.