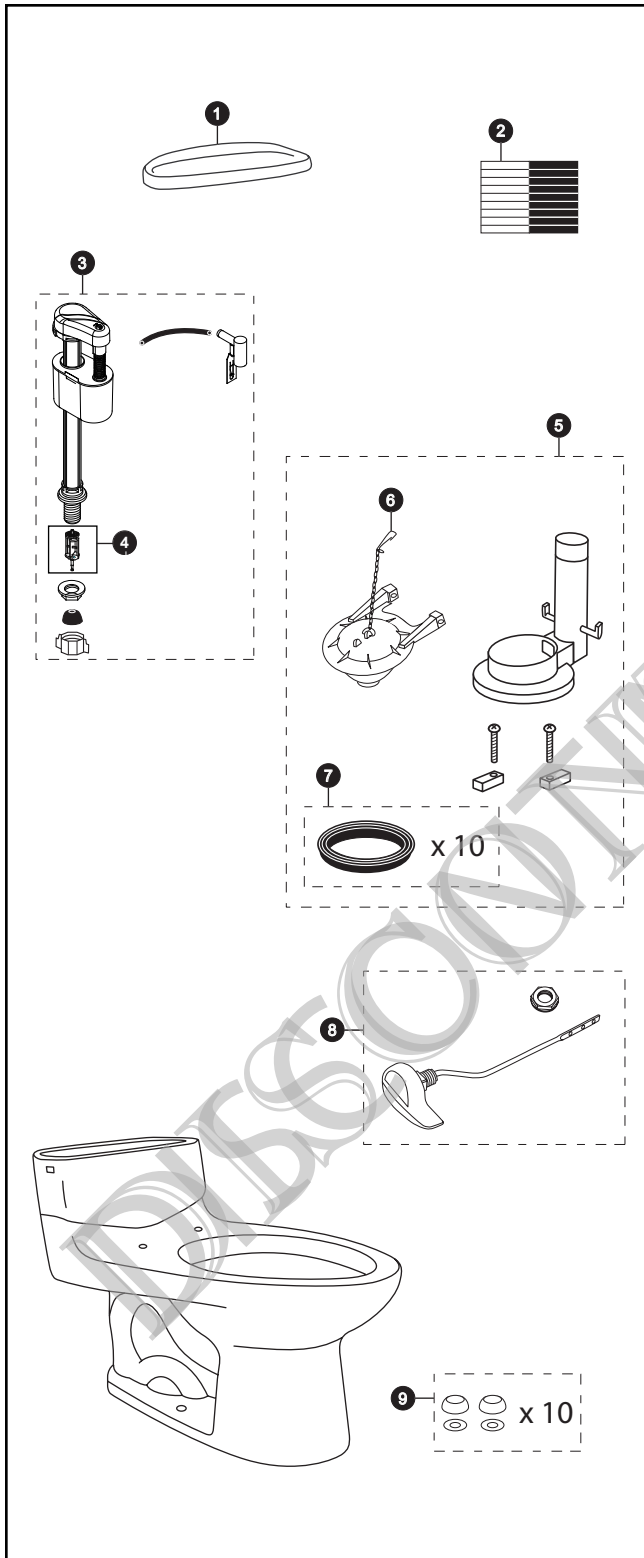


MS866114

MS866114
CST866

Bristol™ 1.6 Gpf Toilet, Elongated, Power Gravity®, 12" Rough-In



Item	Part	Description
1	TCU866CR#01	Tank Lid w/ Velcro Tape
	TCU866CR#03	Tank Lid w/ Velcro Tape
	TCU866CR#04	Tank Lid w/ Velcro Tape
	TCU866CR#11	Tank Lid w/ Velcro Tape
	TCU866CR#12	Tank Lid w/ Velcro Tape
	TCU866CR#51	Tank Lid w/ Velcro Tape
2	THU107	Velcro Tape
3	TSU17A	Fill Valve
4	THU229	Fill Valve Filter
5	THU128Z-1	Flush Valve Assembly
6	THU140S	Flapper w/ Chain
7	THU097	Flush Valve Gaskets (10 Pieces)
8	THU162#01	Trip Lever
	THU162#03	Trip Lever
	THU162#04	Trip Lever
	THU162#12	Trip Lever
	THU162#51	Trip Lever
	THU162#CP	Trip Lever
	THU162#PB	Trip Lever
9	THU098#01	Bolt Cap Sets (for 10 toilets) for #01 & #11
	THU098#03	Bolt Cap Sets (for 10 toilets) for #03 & #12
	THU098#04	Bolt Cap Sets (for 10 toilets)
	THU098#51	Bolt Cap Sets (for 10 toilets)

Product Number Explanations

One-Piece Toilet

(MS) Toilet & Seat Combination
(866) Toilet Model
(114) Seat Model

One-Piece Toilet

(CST) Gravity Type Toilet
(866) Model

Colors

(#01) Cotton
(#03) Bone
(#04) Gray
(#11) Colonial White
(#12) Sedona Beige
(#51) Ebony

Finishes

(#CP) Chrome Plated
(#PB) Polished Brass