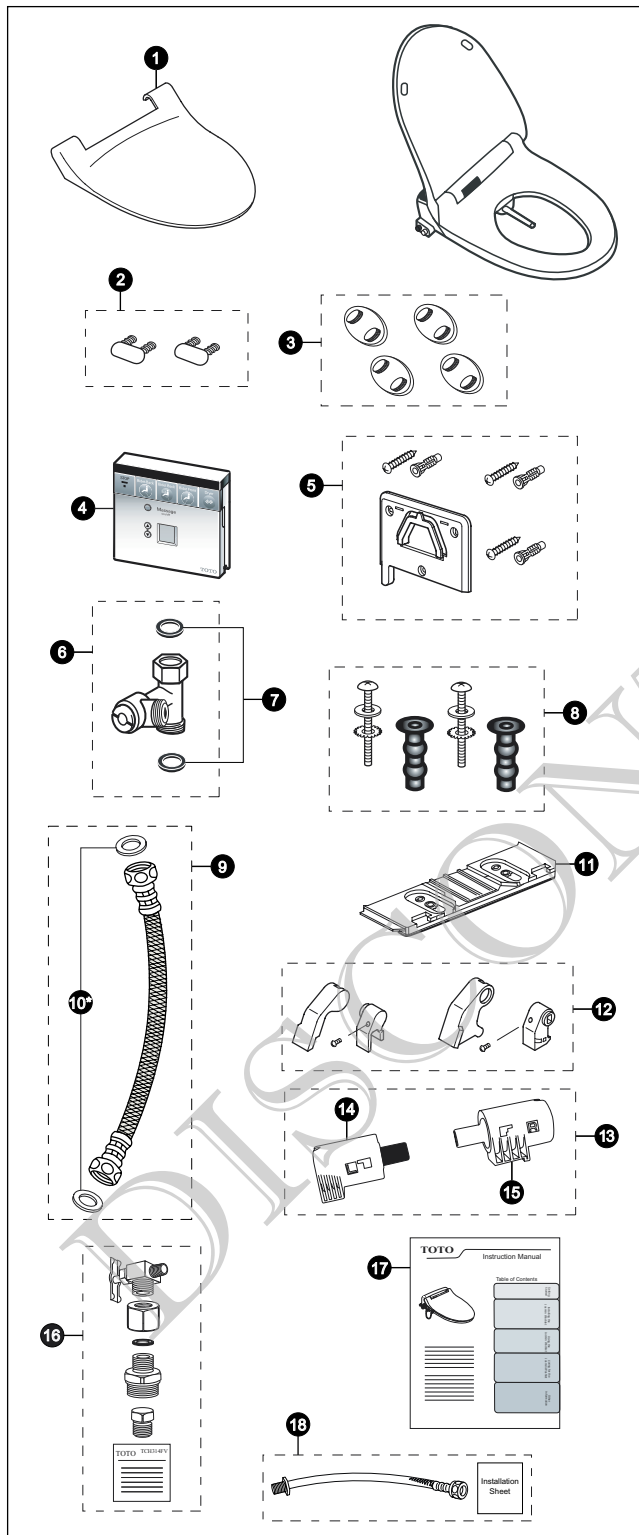


SW834 (TCF4021U)

SW834
TCF4021U

Washlet® S300™ Elongated Seat



Item	Part	Description
1	THU610#01	Lid Assembly - Elongated - Cotton White
	THU610#11	Lid Assembly - Elongated
	THU610#12	Lid Assembly - Elongated - Sedona Beige
2	THU611	Lid Bumpers (2 pieces)
3	THU614	Seat Bumpers (4 pieces)
4	THU633	Obsolete. Remote Control - Massage. Use THU663.
5	THU634	Remote Control Hanger Set
6	THU587	Obsolete. Junction Valve. Use THU661
7	9BU9155	Rubber Washers - Junction Valve (2 pieces)
8	THU599	Mounting Hardware
9	THU588	Connection Hose
10	9BU9152	Fiber Washer (1 piece)
11	THU635	Mounting Plate
12	THU615	Hinge Supports - Left & Right
13	THU616	Hinge Units - Left & Right
14	THU638	Hinge Unit Left - Elongated Seat
15	THU637	Hinge Unit Right - Elongated Seat
16	TCH314FV	Flushometer Adapter Kit
17	THU636	Obsolete. Owner's Manual
18	THU9090	Hose Extension Kit (for Aquia™ CST414M and Pacifica™ CST804S)

Notes

S300TM was previously known as the JasminTM.
TCF4021U model was later replaced by TCF4021UR model (next page).
Flushometer Adapter Kit TCH314FV requires Connection Hose THU588.
A junction valve will not be used with this kit.
Junction Valve THU587 and Connection Hose THU588 were later replaced by quick connection design Junction Valve THU661 and Connection Hose THU660 as seen with the emergence of the TCF250UR model (next page).
Junction Valve THU587 is obsolete; however, Junction Valve THU661 (next page) can be converted back to THU587 if needed by removing the gray quick connector.
Remote Control THU633 has been replaced by THU663 (next page).
Owner's Manual THU636 is only available in a PDF format. For inquires call Tech Support.
THU661 can be converted to THU587 by removing the gray connector.
Fiber Washer 9BU9152 replaces original rubber washer design.
TOTO Sales can order 0GU505 template on TOTO Partners.com
To use template, the existing toilet seat must be removed from the toilet bowl.

Product Number Explanations

Washlet®
(SW) Washlet®
(834) Model