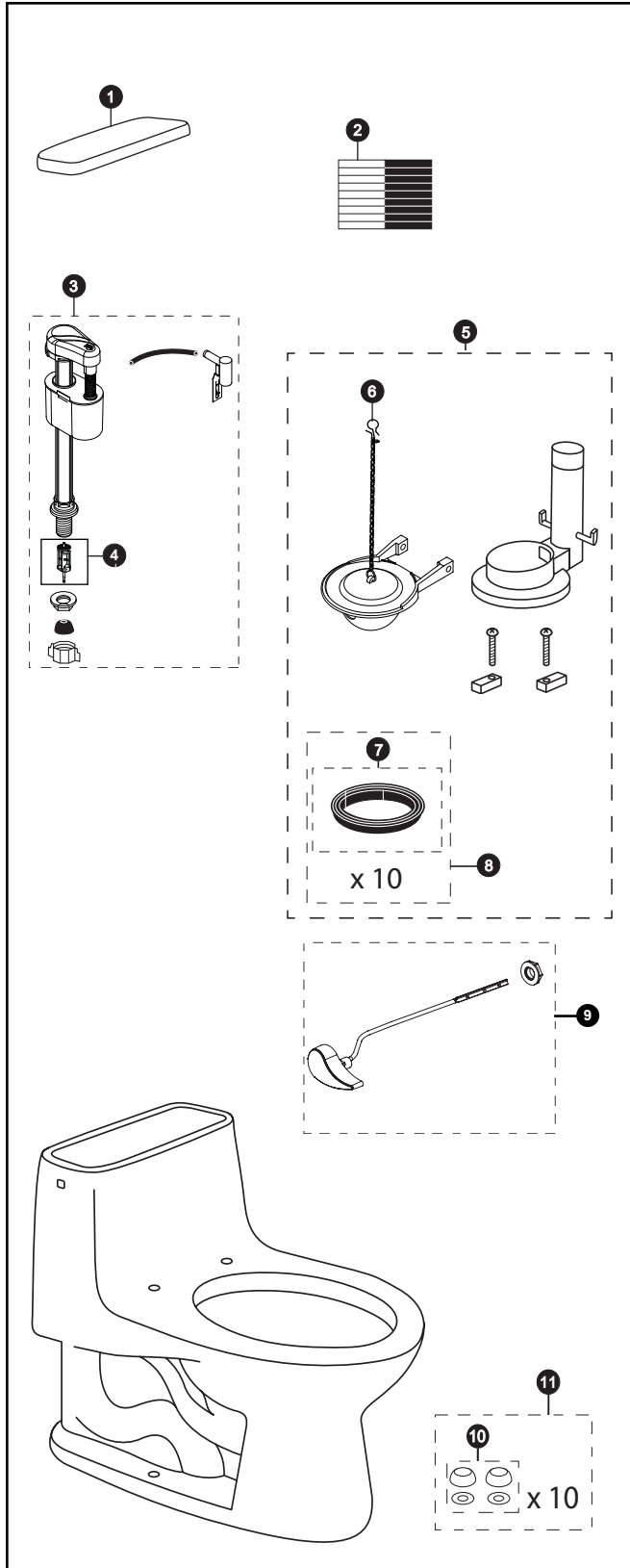


# MS854114EG & MS854114ELG

MS854114EG MS854114ELG  
CST854EG CST854ELG

**Eco Ultramax®**  
**1.28 Gpf Toilet, Elongated,**  
**E-Max®, SanaGloss® 12" Rough-In**  
**(including ADA)**



Actual product may differ slightly from illustration

Item	Part	Description
1	TCU854CRE#01	Tank Lid w/ Velcro Tape
	TCU854CRE#03	Tank Lid w/ Velcro Tape
	TCU854CRE#11	Tank Lid w/ Velcro Tape
	TCU854CRE#12	Tank Lid w/ Velcro Tape
	TCU854CRE#51	Tank Lid w/ Velcro Tape
2	THU107	Velcro Tape
3	TSU29A	Fill Valve
4	TSU229	Fill Valve Filter
5	THU251W	Flush Valve Assembly w/ Flapper
6	THU347S	Flapper w/ Chain
7	9BU002E	Flush Valve Gasket ( 1 Piece )
8	THU097	Flush Valve Gasket ( 10 Pieces )
9	THU004#01	Trip Lever
	THU004#03	Trip Lever
	THU004#11	Trip Lever
	THU004#12	Trip Lever
	THU004#51	Trip Lever
	THU004#CP	Trip Lever
10	THU098#01	Bolt Cap & Base - Cotton
	THU098#03	Bolt Cap & Base - Bone
	THU098#11	Bolt Cap & Base - Colonial White
	THU098#12	Bolt Cap & Base - Sedona Beige
	THU098#51	Bolt Cap & Base - Ebony
11	THU044S#01	Bolt Cap Set - Cotton
	THU044S#03	Bolt Cap Set - Bone
	THU044S#11	Bolt Cap Set - Colonial White
	THU044S#12	Bolt Cap Set - Sedona Beige
	THU044S#51	Bolt Cap Set - Ebony

## Product Number Explanations

### One-Piece Toilet

(MS) Toilet & Seat Combination  
(854) Toilet Model  
(114) Seat Model  
(E) E-Max®  
(G) SanaGloss®  
(L) ADA Compliant

### Colors

(#01) Cotton  
(#03) Bone  
(#11) Colonial White  
(#12) Sedona Beige  
(#51) Ebony

### One-Piece Toilet

(CST) Gravity Type Toilet  
(854) Model  
(E) E-Max®  
(G) SanaGloss®  
(L) ADA Compliant

### Finishes

#CP - Chrome Plated