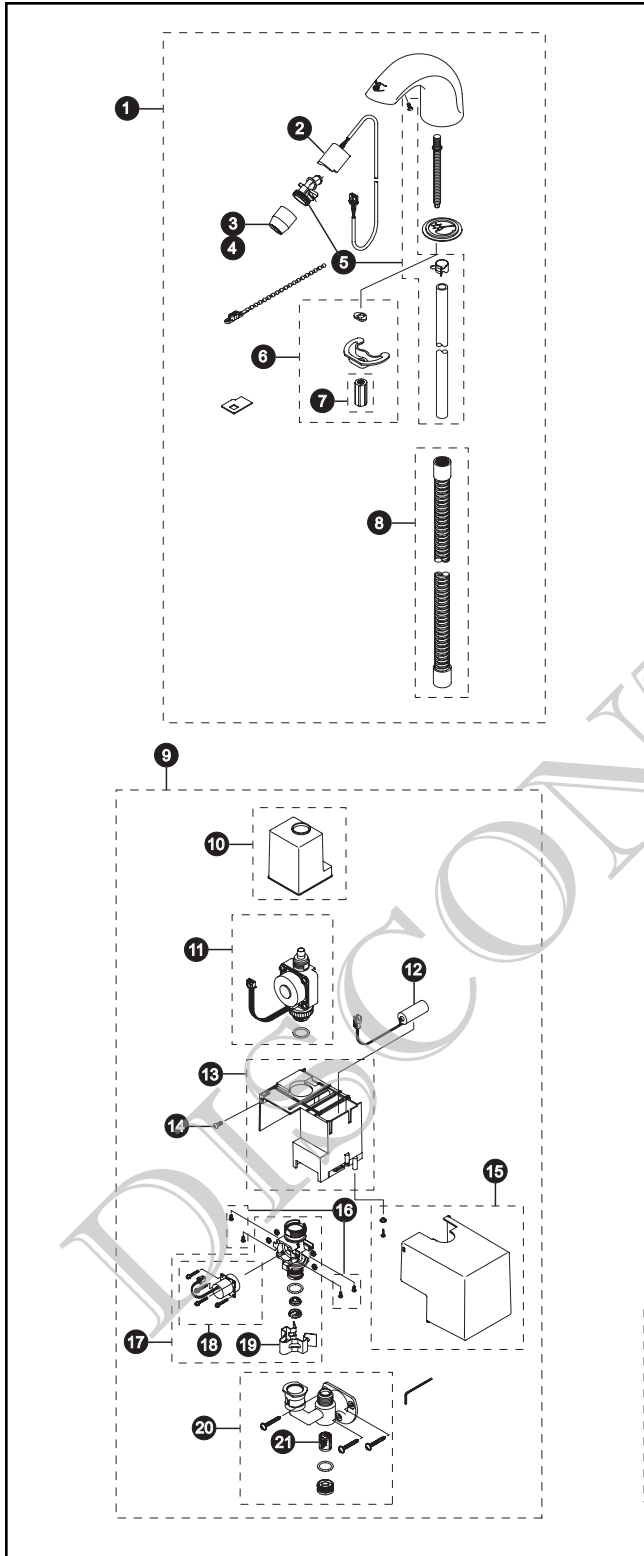
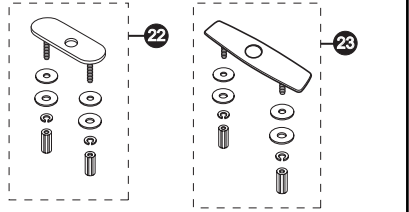


TEL3GSC-10
 TEL70AV100 (Spout)
 TN78-9V210 (Dynamo)

**Sensor Faucet, Standard Spout
 Self-Generating EcoPower™ System
 Single Supply**



Item	Part	Description
1	TEL70AV100	Spout Assembly
2	TH559EDV405	Sensor
3	TH559EDV401	Nozzle Assembly Set (Aerator Flow Type)
4	TH559EDV432	Nozzle Assembly Set (Laminar Flow Type)
5	TH559EDV400	Nozzle Bushing Set
6	TH559EDV402	Spout Mounting Kit
7	TH559EDV403	Spout Nuts (Gooseneck and Regular)(5 pieces)
8	TH559EDV404	Flexible Tube (Regular Spout)
9	TN78-9V210	Dynamo Assembly
10	TH559EDV409	Dynamo Single Cover
11	TH559EDV411	Dynamo Hydropower Generator
12	TH559EDV410	Back-Up Battery
13	TH559EDV407	Single Dynamo Control Unit 10 sec.
14	TH559EDV417	Hex Socket Screws
15	TH559EDV414	Control Cover
16	TH559EDV416	Screws (10 Pieces)
17	TH559EDV412	Valve Assembly Unit
18	TH559EDV413	Solenoid and Diaphragm Assembly
19	TH559EDV255	Metal Spring Clip
20	TH559EDV415	Mounting Bracket Set
21	TH559EDV256	Metal Strainer Screen
22	TN71V100	Cover Plate - 4". Use TN71V100S.
23	71244T8CC	Cover Plate - 8"



Product Number Explanations

- Faucet**
 (T) Fitting
 (E) Electronic
 (L) Lavatory
 (3) Single Supply
 (G) Generator Type
 (S) Standard Spout
 (C) Chrome Finish
 (10) 10 Second