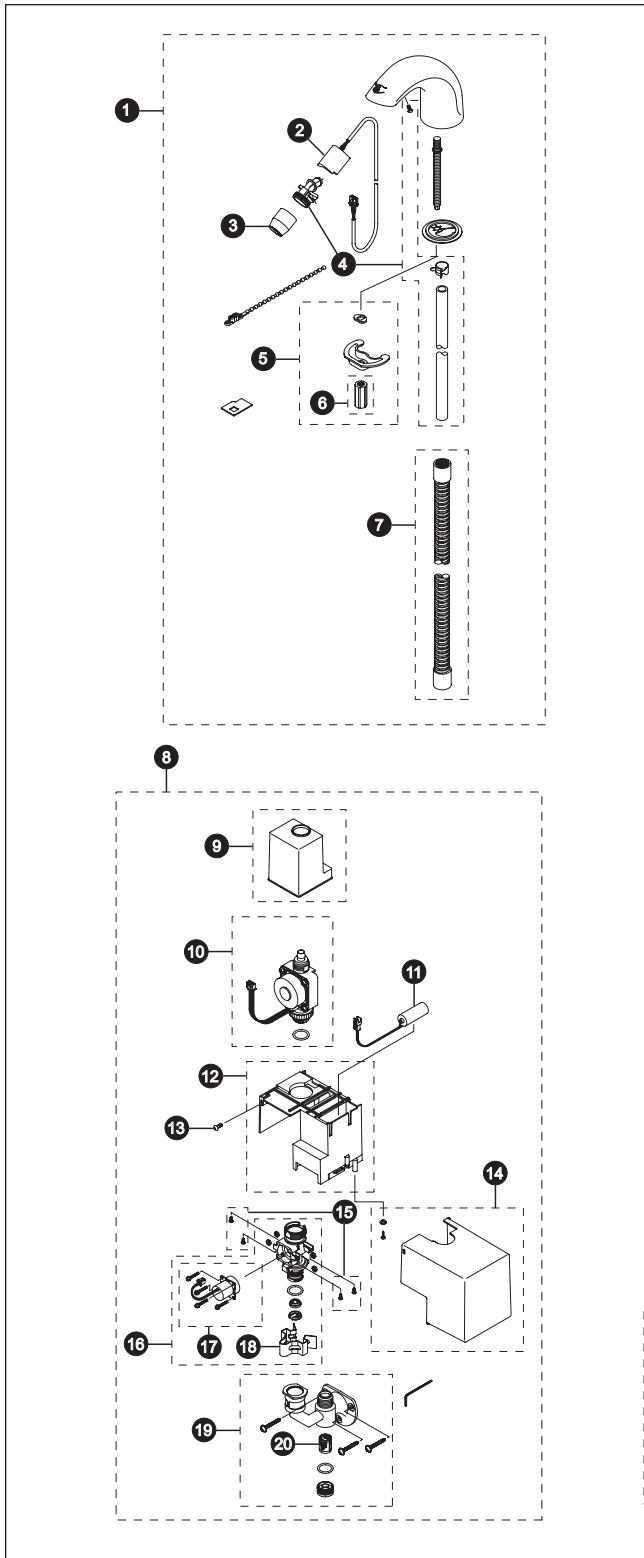


TEL3LSC-10  
 TEL70AV100 (Spout)  
 TN78-9V310 (Dynamo)

## Sensor Faucet, Standard Spout EcoPower™ Self-Generating System Single Supply, 0.5 GPM



Item	Part	Description
1	TEL70AV100	Spout Assembly - Standard Faucet
2	TH559EDV405	Sensor
3	TH6V1	0.5 GPM Nozzle Assembly
4	TH559EDV400	Nozzle Bushing Set
5	TH559EDV402	Spout Mounting Kit
6	TH559EDV403	Spout Nuts (Gooseneck & Regular)(5 pieces)
7	TH559EDV404	Flexible Tube (Regular Spout)
8	TN78-9V310	Dynamo Assembly
9	TH559EDV409	Dynamo Single Cover
10	TH559EDV434	0.5 GPM Dynamo HydroPower Generator
11	TH559EDV410R	Back-Up Battery
12	TH559EDV407	Single Dynamo Control Unit 10 sec.
13	TH559EDV417	Hex Socket Screws
14	TH559EDV414	Control Cover
15	TH559EDV416	Screws (10 Pieces)
16	TH559EDV435	0.5 GPM Valve Assembly Unit
17	TH559EDV413	Solenoid & Diaphragm Assembly
18	TH559EDV255	Metal Spring Clip
19	TH559EDV415	Mounting Bracket Set
20	TH559EDV256	Metal Strainer Screen
21	TN71V100S	Cover Plate - 4"
22	71244T8CC	Cover Plate - 8"

**Note:**

TH6V1 Nozzle Assembly 0.5 GPM is originally packaged with the TN78-9V310 Dynamo Assembly. The original Nozzle Assembly with the TEL70AV100 Spout Assembly was discarded.

**Product Number Explanations**

**Sensor Faucet**

- (T) Fitting
- (E) Electronic
- (L) Lavatory
- (3) Single Supply
- (L) 0.5 GPM Generator Type
- (S) Standard Spout
- (C) Chrome Finish
- (10) 10 Second

