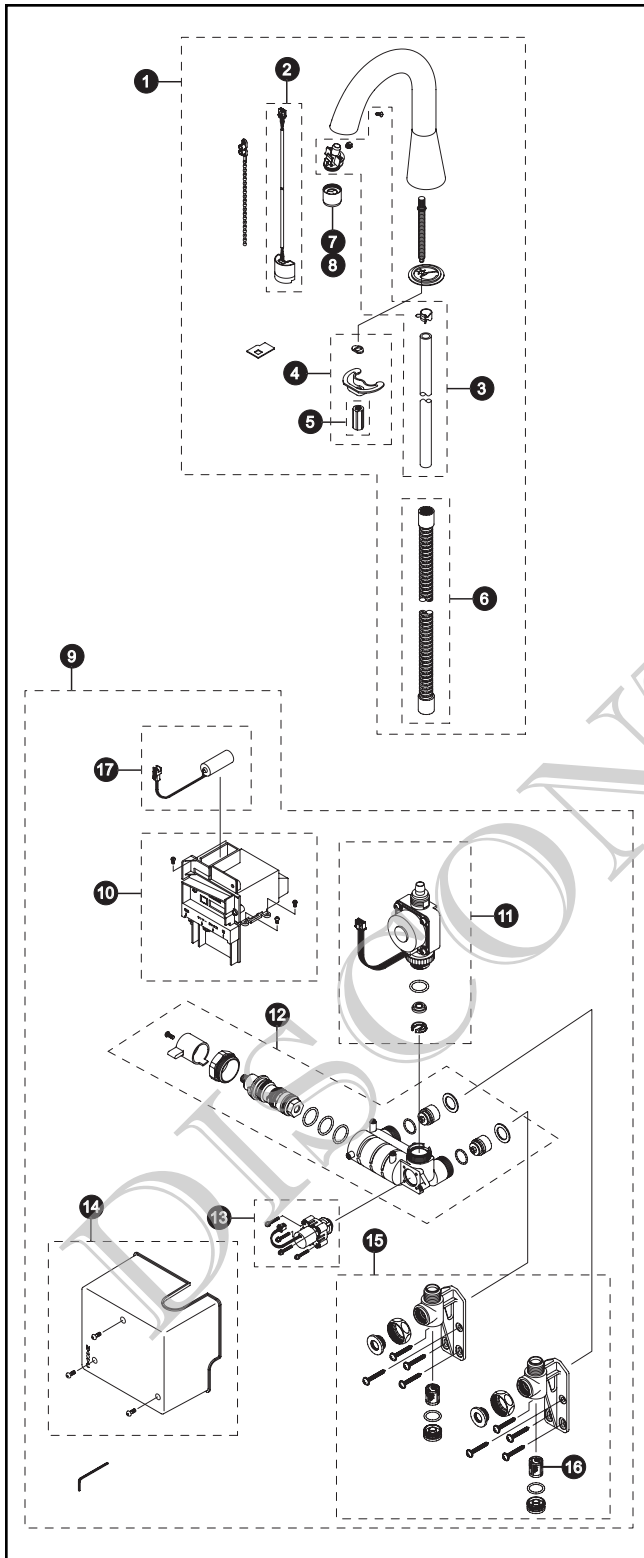


TEL5GGC-60
 TEL76GV100 (Spout)
 TN78-10V260 (Dynamo)

**Sensor Faucet, Gooseneck Spout
 Self-Generating EcoPower™ System
 Thermal Mixing**



Item	Part	Description
1	TEL76GV100	Spout Assembly
2	TH559EDV405	Sensor
3	TH559EDV406	Nozzle Bushing Set
4	TH559EDV402	Spout Mounting Kit
5	TH559EDV403	Spout Nuts (Gooseneck & Regular) (5 pieces)
6	TH559EDV404	Flexible Tube (Regular Spout)
7	TH559EDV401	Nozzle Assembly Set (Aerator Flow Type)
8	TH559EDV432	Nozzle Assembly Set (Laminar Flow Type)
9	TN78-10V260	Dynamo Assembly
10	TH559EDV424	Thermal Dynamo Control Unit 60 sec.
11	TH559EDV425	Dynamo & Flow Control Unit
12	TH559EDV426	Thermal Mixing Valve
13	TH559EDV427	Solenoid & Diaphragm Assembly
14	TH559EDV428	Control Cover Set
15	TH559EDV429	Mounting Bracket Set
16	TH559EDV256	Strainer
17	TH559EDV410	Back Up Battery
18	TN71V100	Cover Plate - 4" (Obsolete). Use TN71V100R.
19	71244T8CC	Cover Plate - 8"

Product Number Explanations

- Faucet**
 (T) Fitting
 (E) Electronic
 (L) Lavatory
 (S) Thermal Mixing
 (G) Generator Type
 (G) Gooseneck Spout
 (C) Chrome Finish
 (60) 60 Second

