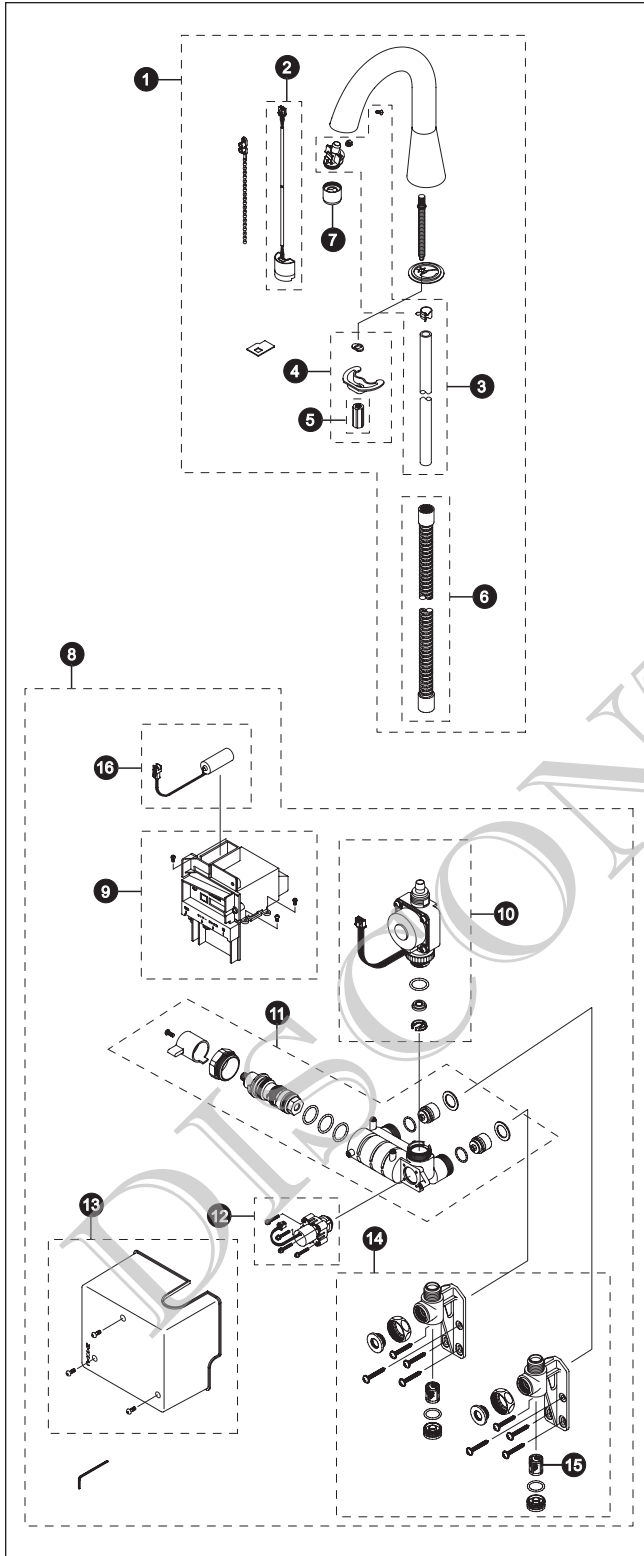


TEL5LGC-10  
 TEL76GV100 (Spout)  
 TN78-10V310 (Dynamo)

## Sensor Faucet, Gooseneck Spout EcoPower™ Self-Generating System Thermal Mixing, 0.5 GPM



Item	Part	Description	Price
1	TEL76GV100	Spout Assembly - Gooseneck	\$289.33
2	TH559EDV405	Sensor	\$61.20
3	TH559EDV406	Nozzle Bushing Set	\$20.03
4	TH559EDV402	Spout Mounting Kit	\$6.68
5	TH559EDV403	Spout Nuts (Gooseneck & Regular)(5 pieces)	\$8.90
6	TH559EDV404	Flexible Tube (Regular Spout)	\$30.05
7	TH6V1	0.5 GPM Nozzle Assembly	\$44.00
8	TN78-10V310	Dynamo Assembly	\$673.00
9	TH559EDV423	Thermal Dynamo Control Unit 10 sec.	\$63.43
10	TH559EDV433	0.5 GPM Dynamo & Flow Control Unit	\$102.00
11	TH559EDV426	Thermal Mixing Valve	\$201.42
12	TH559EDV427	Solenoid & Diaphragm Assembly	\$35.61
13	TH559EDV428	Control Cover Set	\$13.35
14	TH559EDV429	Mounting Bracket Set	\$68.99
15	TH559EDV256	Metal Strainer Screen	\$19.05
16	TH559EDV410R	Back-Up Battery	\$19.80
17	TN71V100	Cover Plate - 4"	\$44.00
18	71244T8CC	Cover Plate - 8"	\$58.00

**Note:**

TH6V1 Nozzle Assembly 0.5 GPM is originally packaged with the TN78-10V310 Dynamo Assembly. The original Nozzle Assembly with the TEL76GV100 Spout Assembly was discarded.

Use 4" Cover Plate until depleted, then reorder TN71V100R.

**Product Number Explanations**

**Sensor Faucet**

- (T) Fitting
- (E) Electronic
- (L) Lavatory
- (S) Thermal Mixing
- (L) 0.5 GPM Generator Type
- (G) Gooseneck Spout
- (C) Chrome Finish
- (10) 10 Second

