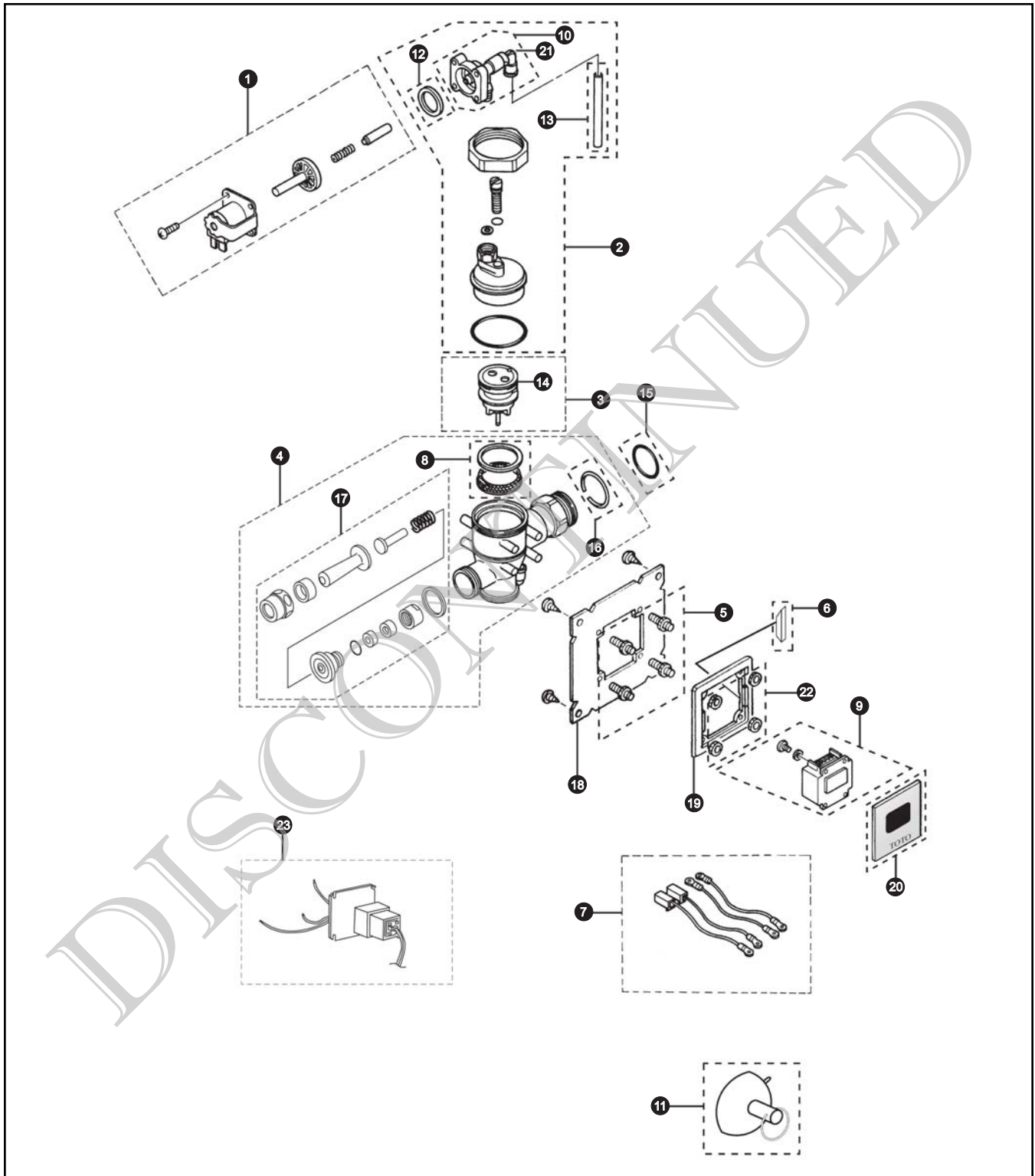


## TET3ANS Series

TET3ANS-31  
TET3ANS-32  
TET3ANS-33

### Sensor Toilet Flush Valve, Concealed (4" x 4") Satin Finish, Surface Mount AC Powered (24V, AC)



## TET3ANS Series

TET3ANS-31  
TET3ANS-32  
TET3ANS-33

### Sensor Toilet Flush Valve, Concealed (4" x 4") Satin Finish, Surface Mount AC Powered (24V, AC)

Item	Part Number	Description	Item	Part Number	Description
1	TH559EDV165	Solenoid for AC Sensors	<b>Vacuum Breaker Sets</b>		
2	TH559EDV198	Valve Cap Set for AC Sensors	VB13RB-31	Concealed - Back Spud (1-1/2" Outlet)	
3	TH559EDV159	Piston Assembly for AC Toilet Series	VB13RB-32	Concealed - Top Spud (1-1/2" Outlet)	
4	TH559EDV146	Valve Body	VB13RB-33	Concealed - Back Spud Floor Mount (1-1/2" Outlet)	
5	TH559EDV201	Adjustment Screw (4 pieces)	<b>Note:</b> For additional information, refer to the individual vacuum breaker parts sheets.		
6	TH559EDV218	Magnets (10 Pieces)			
7	TH559EDV157	Wire Kit			
8	TH559EDV54B	Seal Washer Set			
9	TH559EDV232	Sensor Unit (AC Type) (Obsolete)			
10	TH559EDV164	Solenoid Valve Body for AC Sensors			
11	85068SR	Suction Tools (5 pieces)			
12	TH559EDV212	Packing (10 Pieces)			
13	TH559EDV199	Tubes (10 Pieces)			
14	TH559EDV200	U-Packing (For Piston) (10 Pieces)			
15	TH559EDV190	O-Rings (Tail Piece) (10 Pieces)			
16	TH559EDV189	Nut Stoppers (10 Pieces)			
17	TH559EDV203	Lever Assembly			
18	84071	Wall Frame			
19	90848A	Surface Mount Frame (Satin)			
20	HL71229-1WA	Sensor Plate (Satin)			
21	18217T1M	Elbow			
22	63098SR	Fixing Nuts (4 pieces)			
23	TEF61RSV17	Transformer (120V AC to 24V AC 10W) (Obsolete)			
<b>Note:</b> TEF61RSV17 can be replaced with a Class II UL transformer with primary (120V AC, 60Hz) and secondary (24V AC, 1.8A min.) using only UL Class II No. 18 wires on the secondary side. A maximum of 10 flush valves can be run on one transformer.					
Order TH559EDV159 until depleted, then order TH559EDV306.					
Order TH559EDV189 until depleted, then order TH305SV105.					
Order TH559EDV190 until depleted, then order TH305SV106.					
Order TH559EDV200 until depleted, then order TH305SV103.					
Order TH559EDV218 until depleted, then order TH559EDV360.					
Order TH559EDV54B until depleted, then order Seat Packing Set TH321S.					
TH559EDV232 is temporarily replaced by 58024t6, until further notice.					

### Product Number Explanations

#### Flush Valve

(T) Fitting  
(E) Electronic  
(T) Toilet 1.6  
(3) Concealed 4" x 4" Plate Recess  
(A) AC Transformer  
(N) Neutral Rough-In  
(S) Satin Finish  
(3) 1-1/2" Outlet  
(1) Back Spud

#### Flush Valve

(T) Fitting  
(E) Electronic  
(T) Toilet 1.6  
(3) Concealed 4" x 4" Plate Recess  
(A) AC Transformer  
(N) Neutral Rough-In  
(S) Satin Finish  
(3) 1-1/2" Outlet  
(2) Top Spud

#### Flush Valve

(T) Fitting  
(E) Electronic  
(T) Toilet 1.6  
(3) Concealed 4" x 4" Plate Recess  
(A) AC Transformer  
(N) Neutral Rough-In  
(S) Satin Finish  
(3) 1-1/2" Outlet  
(3) Back Spud Floor Mount