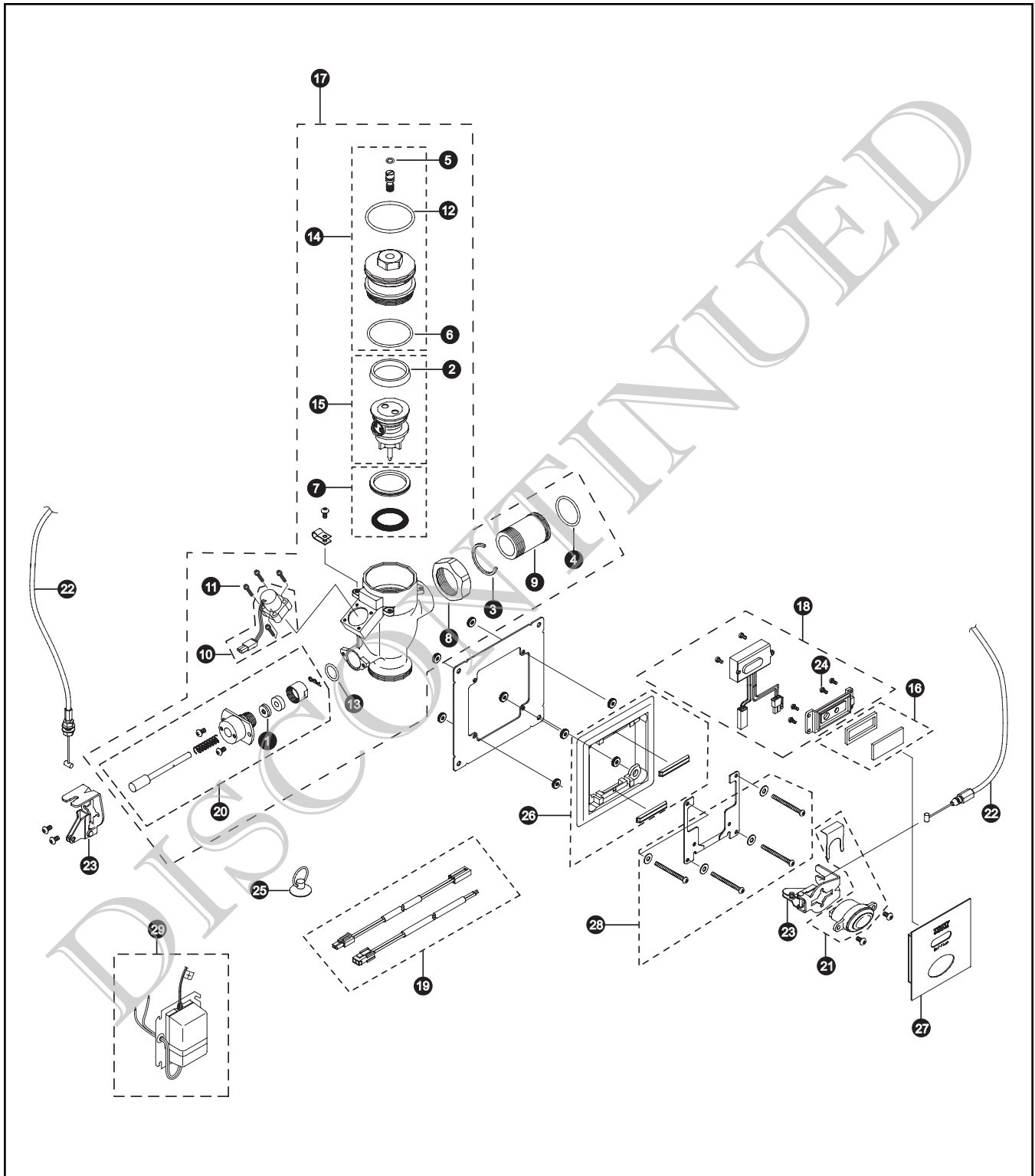


# TET3ANSR Series

TET3ANSR-31  
TET3ANSR-32  
TET3ANSR-33

**Sensor Toilet Flush Valve  
Concealed (4" x 4") - 1.6 Gpf  
AC Powered (120V AC to 10V DC)**



# TET3ANSR Series

TET3ANSR-31  
TET3ANSR-32  
TET3ANSR-33

## Sensor Toilet Flush Valve Concealed (4" x 4") - 1.6 Gpf AC Powered (120V AC to 10V DC)

Item	Part Number	Description	Item	Part Number	Description
1	TH302RV100	Gaskets (U-Packing) (10 Pieces)	<b>Vacuum Breaker Sets</b>		
2	TH305SV103	U-Packing (For Piston) (10 Pieces)	VB13RB-31	Concealed - Back Spud (1-1/2" Outlet)	
3	TH305SV105	Locking Rings (10 Pieces)	VB13RB-32	Concealed - Top Spud (1-1/2" Outlet)	
4	TH305SV106	O-Rings (Tail Piece) (10 Pieces)	VB13RB-33	Concealed - Back Spud Floor Mount (1-1/2" Outlet)	
5	TH305SV111	O-Rings (Cap Screw) (10 Pieces)			
6	TH305SV112	O-Rings (Valve Guide) (10 Pieces)			
7	TH321	Seal Washer Kit			
8	TH305SV113	Nut			
9	TH305SV114	Tail Piece			
10	TH559EDV300	Solenoid Unit & Diaphragm Assembly			
11	TH559EDV301	Double Sems Screws M3 (4 pieces)			
12	TH559EDV302	O-Ring (Valve Cap)			
13	TH559EDV303	O-Ring (Push Rod)			
14	TH559EDV304	Valve Cap Assembly - Toilet			
15	TH559EDV306	Piston Assembly (1.6 GPF)			
16	TH559EDV327	Glass & Packing Set			
17	TH559EDV328	Valve Body for Concealed (Toilet 1.6 GPF)			
18	TH559EDV332	Sensor Controller - AC Toilet			
19	TH559EDV335	Wire Set (AC Type)			
20	TH559EDVL10	Push Button Assembly replaces TH559EDV336			
21	TH559EDV337	Push Button & Clip Set			
22	TH559EDV338	Wire Cable			
23	TH559EDV339	Bracket Set			
24	TH559EDV340	Screw Set 4-40UNC			
25	TH559EDV346	Suction Tool Set			
26	TH559EDV347	Surface Mount Frame			
27	TH559EDV348	Sensor Plate - Toilet			
28	TH559EDV350	Adjusting Screw Set			
29	THU701TR	Transformer (120V AC to 10V DC 1950mA)			

**Note:** THU701TR can be replaced with a Class II UL transformer with primary (120V AC, 60Hz) and secondary (10V DC, 1.95A min.) using only UL Class II No. 18 wires on the secondary side. A maximum of 10 flush valves can be run on one transformer.

### Product Number Explanations

#### Flush Valve

(T) Fitting  
(E) Electronic  
(T) Toilet 1.6  
(3) Concealed 4" x 4" Plate Recess  
(A) AC Transformer  
(N) Neutral Rough-In  
(S) Satin Finish  
(R) Revision  
(3) 1-1/2" Outlet  
(1) Back Spud

#### Flush Valve

(T) Fitting  
(E) Electronic  
(T) Toilet 1.6  
(3) Concealed 4" x 4" Plate Recess  
(A) AC Transformer  
(N) Neutral Rough-In  
(S) Satin Finish  
(R) Revision  
(3) 1-1/2" Outlet  
(2) Top Spud

#### Flush Valve

(T) Fitting  
(E) Electronic  
(T) Toilet 1.6  
(3) Concealed 4" x 4" Plate Recess  
(A) AC Transformer  
(N) Neutral Rough-In  
(S) Satin Finish  
(R) Revision  
(3) 1-1/2" Outlet  
(3) Back Spud Floor Mount