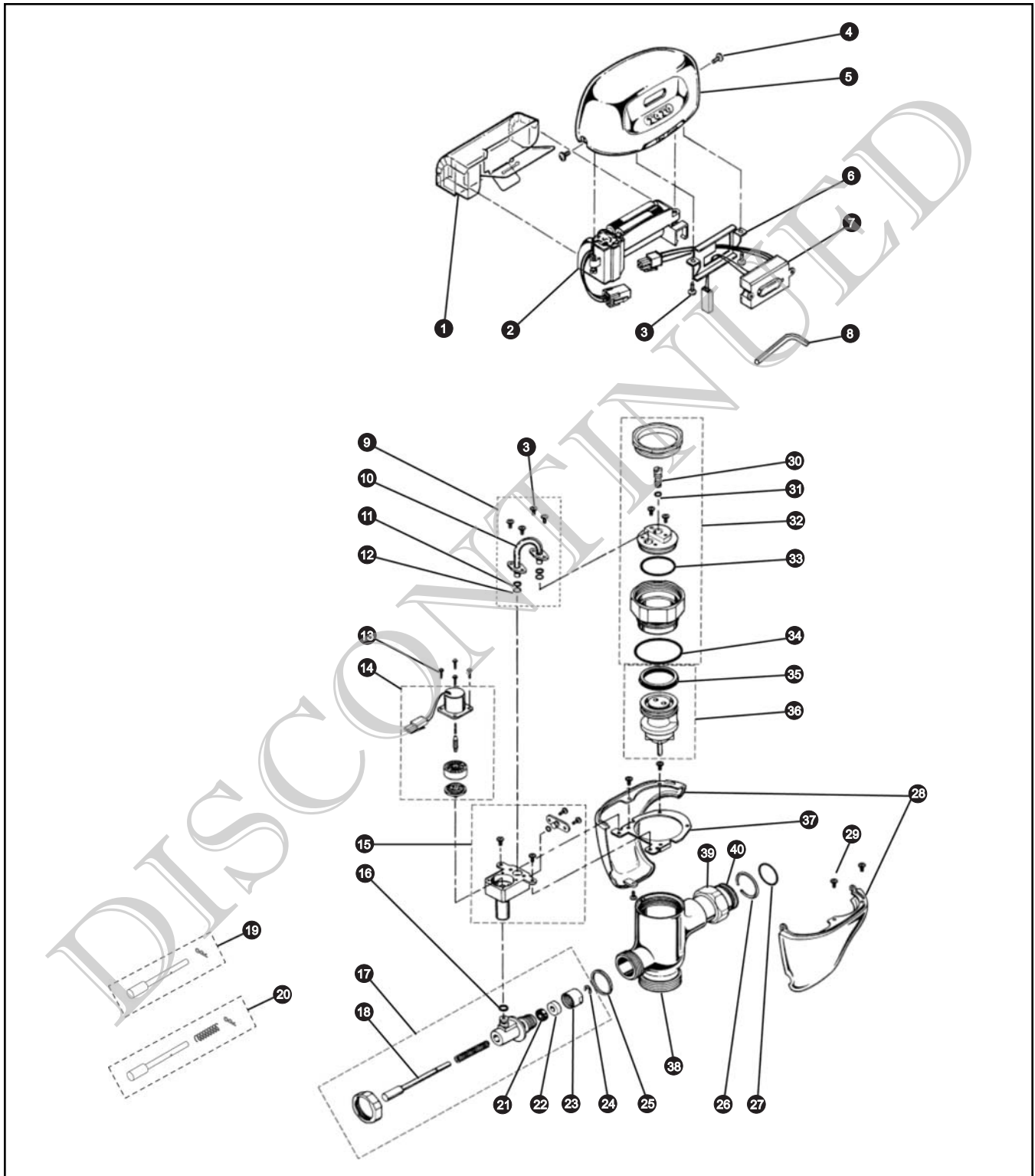


## TET1DNC Series

TET1DNC  
TET1DNC-32

**Sensor Toilet Flush Valve, Exposed - 1.6 Gpf  
Battery Powered (6V, DC)**



## TET1DNC Series

TET1DNC  
TET1DNC-32

### Sensor Toilet Flush Valve, Exposed - 1.6 Gpf Battery Powered (6V, DC)

Item	Part Number	Description	Item	Part Number	Description
1	H660101	Battery Case Cover (Obsolete)	35	R81019-1MZ	U-Packing (For Piston) (10 Pieces)
2	TH559EDV352	Battery Case Assembly	36	R15185W	Piston Assembly (1.6 GPF)
3	H660301	Phillips Pan Head Screws (430 SS) (20 pieces)	37	H662201	Plate
4	H660401	Hex Socket Cap Screws (304 SS) (10 Pieces)	38	R11149W-1	Valve Body (EFV) - No Logo
5	H660501	Top Cover (DC Type)	39	TH305SV113	Nut
6	H660601	Sensor Bracket Set	40	TH305SV114	Tail Piece
7	VCA10A	Sensor Controller - DC Toilet	<b>Note:</b> Allen Wrench 3/32" is for reference purposes only.		
8	3/32"	Allen Wrench (reference only)	Phillips Pan Head Screws H660301 are 8-32 UNC x 1/4".		
9	H660701	Copper Tube Sub-Assembly w/Packing	Hex Socket Cap Screws H660401 are 8-32 UNC x 3/8".		
10	H662301	Copper Tube	Order Top Cover H660501 until depleted, then order TH559EDV351.		
11	H660801	Back-Up Rings (10 Pieces)	<b>Vacuum Breaker Sets</b>		
12	H660901	O-Rings (Tube Assembly) (10 Pieces)	VB9CP-32	Exposed - Top Spud (1-1/2" Outlet)	
13	H661001	Double Sems Screws #4-40 (10 Pieces)	<b>Note:</b> For additional information, refer to the individual vacuum breaker parts sheets.		
14	VCA503A	Solenoid Unit & Diaphragm Assembly			
15	H661101	Solenoid Valve Seat Assembly			
16	H661201	O-Rings (Plunger Guide) (10 Pieces)			
17	H661301	Push Button Valve Assembly (Toilet) (Obsolete). Use H662002-V1.			
18	H661501	Push Button Set (Obsolete). Use H661501-V1.			
19	H661501-V1	Push Button Set			
20	H662002-V1	Push Button Repair Kit (Toilet)			
21	TH302RV100	Gaskets (U-Packing) (10 Pieces)			
22	R91112MZ	Guide Rings (10 Pieces)			
23	R23024MZ	Guide Ring Stoppers (10 Pieces)			
24	H661601	E-Rings (10 Pieces)			
25	H661701	Gaskets (Plunger Guide) (10 Pieces)			
26	TH305SV105	Locking Rings (10 Pieces)			
27	TH305SV106	O-Rings (Tail Piece) (10 Pieces)			
28	TH559EDV320	Lower Toilet Cover Set			
29	TH559EDV325	Screw Set 8-32 UNC (10 Pieces)			
30	R31057MZ	Cap Adjustment Screws (10 Pieces)			
31	TH305SV111	O-Rings (Cap Screw) (10 Pieces)			
32	H662001	Valve Cap Assembly			
33	H662101	O-Rings (Valve Cap)			
34	TH305SV112	O-Rings (Valve Guide) (10 Pieces)			

### Product Number Explanations

#### Flush Valve

(T) Fitting  
(E) Electronic  
(T) Toilet 1.6  
(1) Exposed  
(D) DC Battery  
(N) Neutral Rough-In  
(C) Chrome Finish  
(3) 1-1/2" Outlet  
(2) Top Spud