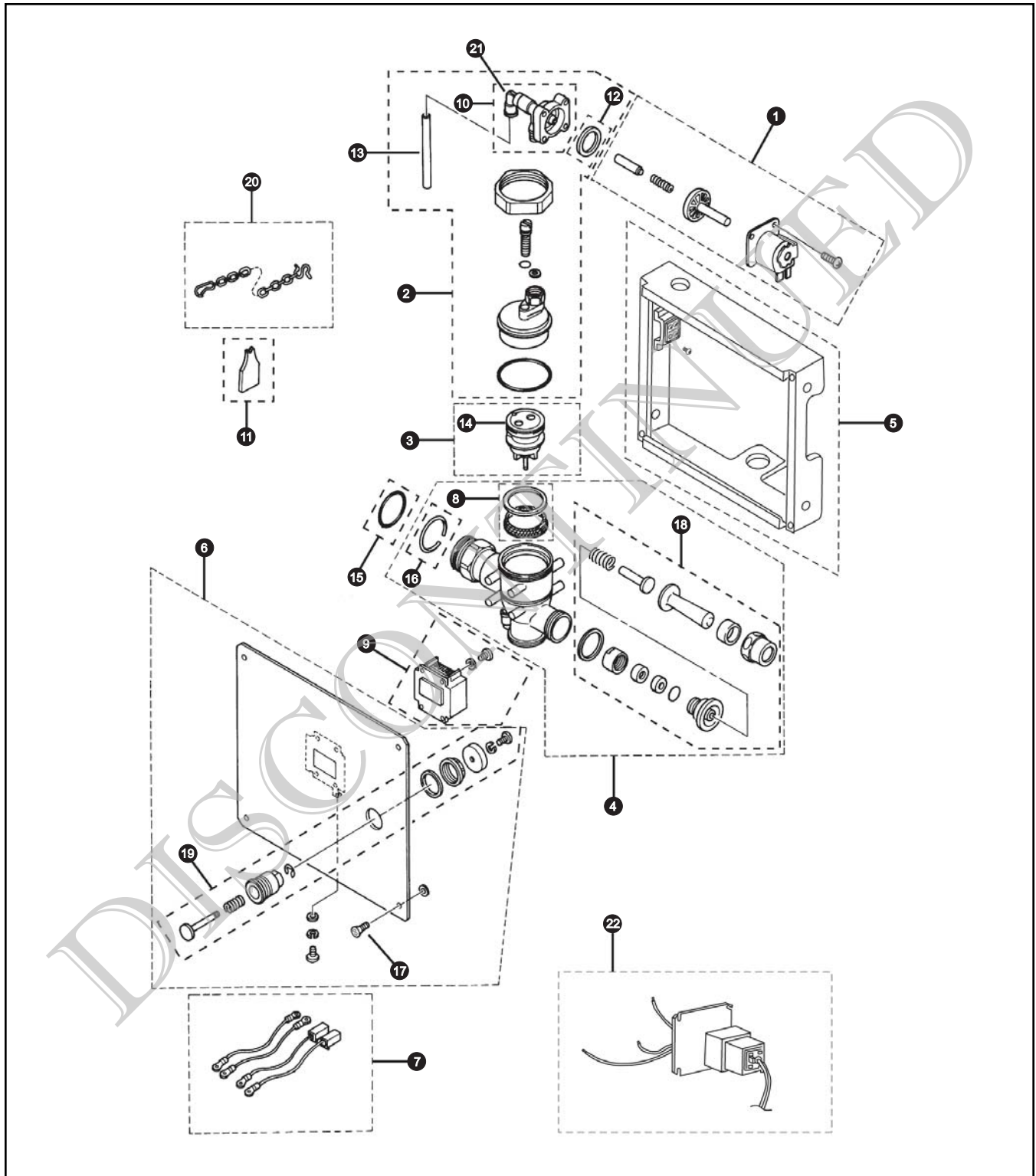


TET2ALS Series

TET2ALS-31
TET2ALS-32
TET2ALS-33

Sensor Toilet Flush Valve, Concealed AC Powered (24V, AC)



TET2ALS-31
TET2ALS-32
TET2ALS-33

Sensor Toilet Flush Valve, Concealed AC Powered (24V, AC)

Item	Part Number	Description	Item	Part Number	Description
1	TH559EDV165	Solenoid for AC Sensors	Vacuum Breaker Sets		
2	TH559EDV198	Valve Cap Set for AC Sensors	VB13RB-31	Concealed - Back Spud (1-1/2" Outlet)	
3	TH559EDV159	Piston Assembly for AC Toilet Series	VB13RB-32	Concealed - Top Spud (1-1/2" Outlet)	
4	TH559EDV146	Valve Body	VB13RB-33	Concealed - Back Spud Floor Mount (1-1/2" Outlet)	
5	TH559EDV145	Rear Wall Frame Set - Toilet	Note: For additional information, refer to the individual vacuum breaker parts sheets.		
6	TH559EDV228	Front Panel Set-Push Button Right Side			
7	TH559EDV157	Wire Kit			
8	TH559EDV54B	Seal Washer Set			
9	TH559EDV232	Sensor Unit (AC Type) (Use 580246)			
10	TH559EDV164	Solenoid Valve Body for AC Sensors			
11	TH559EDV207	Spanner Wrench Tools (10 Pieces)			
12	TH559EDV212	Packing (10 Pieces)			
13	TH559EDV199	Tubes (10 Pieces)			
14	TH559EDV200	U-Packing (For Piston) (10 Pieces)			
15	TH559EDV190	O-Rings (Tail Piece) (10 Pieces)			
16	TH559EDV189	Nut Stoppers (10 Pieces)			
17	61248T5SR	Vandal Proof Screws (10 Pieces)			
18	TH559EDV203	Lever Assembly			
19	TH559EDV229	Push Button Assembly			
20	TH559EDV156	Chain Set			
21	18217T1M	Elbow			
22	TEF61RSV17	Transformer (120V AC to 24V AC 10W) (Obsolete)			
Note: Transformer TEF61RSV17 can be replaced with a Class II UL transformer with primary (120V AC, 60Hz) and secondary (24V AC, 1.8A min.) using only UL Class II No. 18 wires on the secondary side. A maximum of 10 flush valves can be run on one transformer.					
Order Piston Assembly TH335EDV159 until depleted, then order TH559EDV306.					
Order Nut Stoppers TH559EDV189 until depleted, then order TH305SV105.					
Order O-Rings TH559EDV190 until depleted, then order TH305SV106.					
Order U-Packing TH559EDV200 until depleted, then order TH305SV103.					
Order Seal Washer Set TH559EDV54B until depleted, then order Seat Packing Set TH321S.					
Sensor Unit TH559EDV232 is temporarily replaced by 580246, until further notice.					

Product Number Explanations

Flush Valve

(T) Fitting
(E) Electronic
(T) Toilet 1.6
(2) Concealed Large Plate
(A) AC Transformer
(L) Left Side Supply
(S) Stainless Finish
(3) 1-1/2" Outlet
(1) Back Spud

Flush Valve

(T) Fitting
(E) Electronic
(T) Toilet 1.6
(2) Concealed Large Plate
(A) AC Transformer
(L) Left Side Supply
(S) Stainless Finish
(3) 1-1/2" Outlet
(2) Top Spud

Flush Valve

(T) Fitting
(E) Electronic
(T) Toilet 1.6
(2) Concealed Large Plate
(A) AC Transformer
(L) Left Side Supply
(S) Stainless Finish
(3) 1-1/2" Outlet
(3) Back Spud Floor Mount