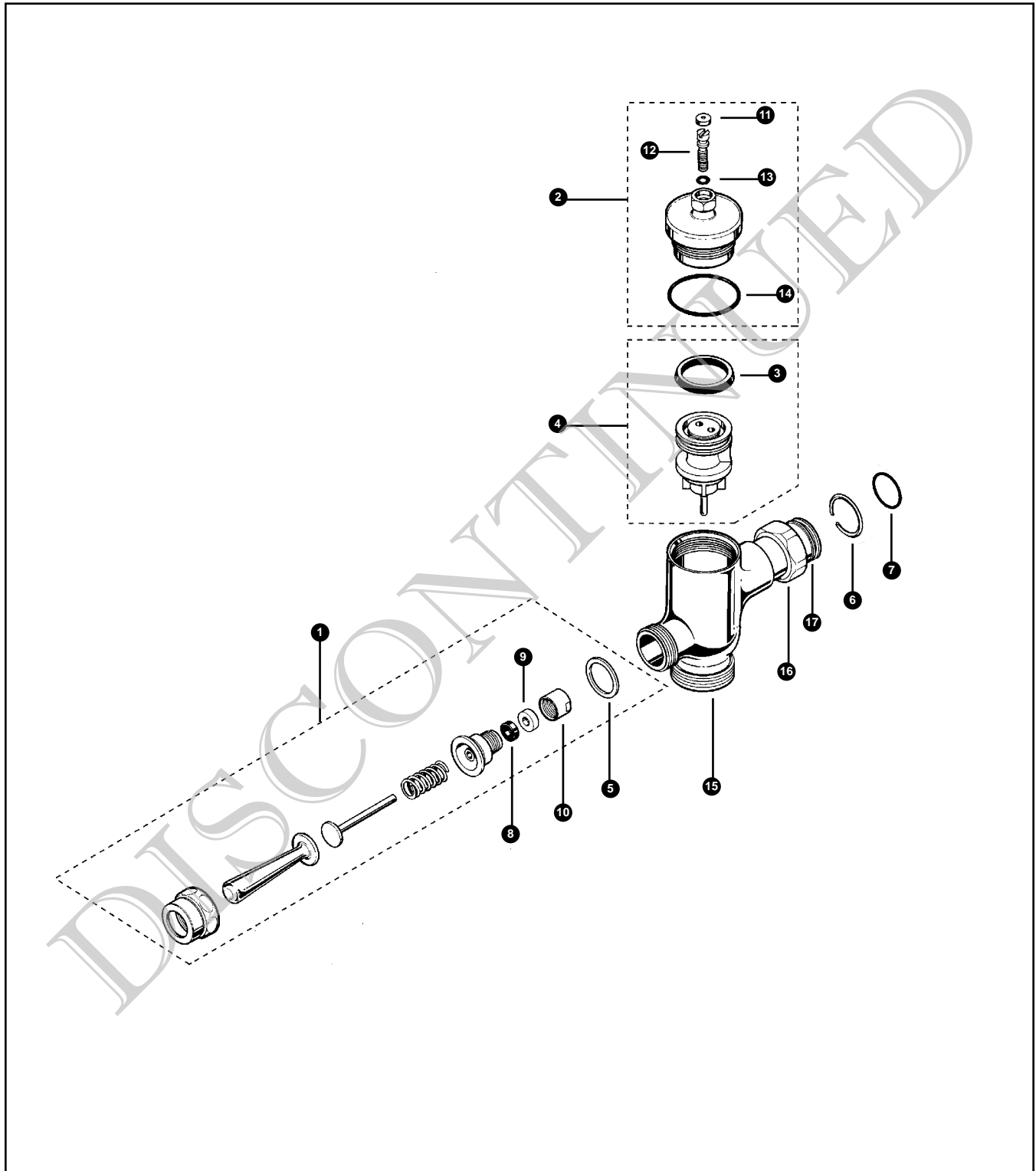


TMT1HNC  
TMT1HNC-32

Manual Toilet Flush Valve, Exposed - 1.6 GPF



# Discontinued

Reliance Commercial Line

TMT1HNC Series

TMT1HNC  
TMT1HNC-32

Manual Toilet Flush Valve, Exposed - 1.6 GPF

No.	Part Number	Description	Qty	Price	No.	Part Number	Description	Qty	Price
1	TH305S	Lever Assembly - MFV	1	\$14.00	<b>Vacuum Breaker Sets</b>				
2	15187MZ	Valve Cover Set (1.6 GPF)	1	\$15.00	VB9CP-32	Exposed - Top Spud (1-1/2" Outlet)	1	\$52.00	
3	R81019-1MZ	U-Packing (For Piston)	10	\$4.00	Note: For additional information, refer to the individual vacuum breaker parts sheets.				
4	R15185W	Piston Assembly (1.6GPF)	1	\$9.00					
5	TH305SV104	Fiber Washers	10	\$8.00					
6	TH305SV105	Locking Rings	10	\$10.00					
7	TH305SV106	O-Rings (Tail Piece)	10	\$5.00					
8	TH302RV100	Gaskets (U-Packing)	10	\$6.00					
9	R91112MZ	Guide Rings	10	\$4.00					
10	R23024MZ	Guide Ring Stoppers	10	\$15.00					
11	TH305SV108	Screw Cap (MFV & Angle Stop)	1	\$4.00					
12	R31005-1MZ	Cap Adjustment Screw (Toilet)	10	\$15.00					
13	TH305SV111	O-Rings (Cap Screw)	10	\$5.00					
14	TH305SV112	O-Rings (Valve Guide)	10	\$7.00					
15	R11149W-2	Valve Body (MFV) - New	1	\$44.00					
16	TH305SV113	Nut	1	\$7.00					
17	TH305SV114	Tail Piece	1	\$11.00					

Model Explanation

- T - Fitting
- M - Manual
- T - Toilet 1.6
- 1 - Exposed
- H - Handle
- N - Neutral Rough-In
- C - Chrome Finish
- 3 - 1-1/2" Outlet
- 2 - Top Spud

**TOTO**<sup>®</sup>

Perfection by Design

Author - Christopher Weber