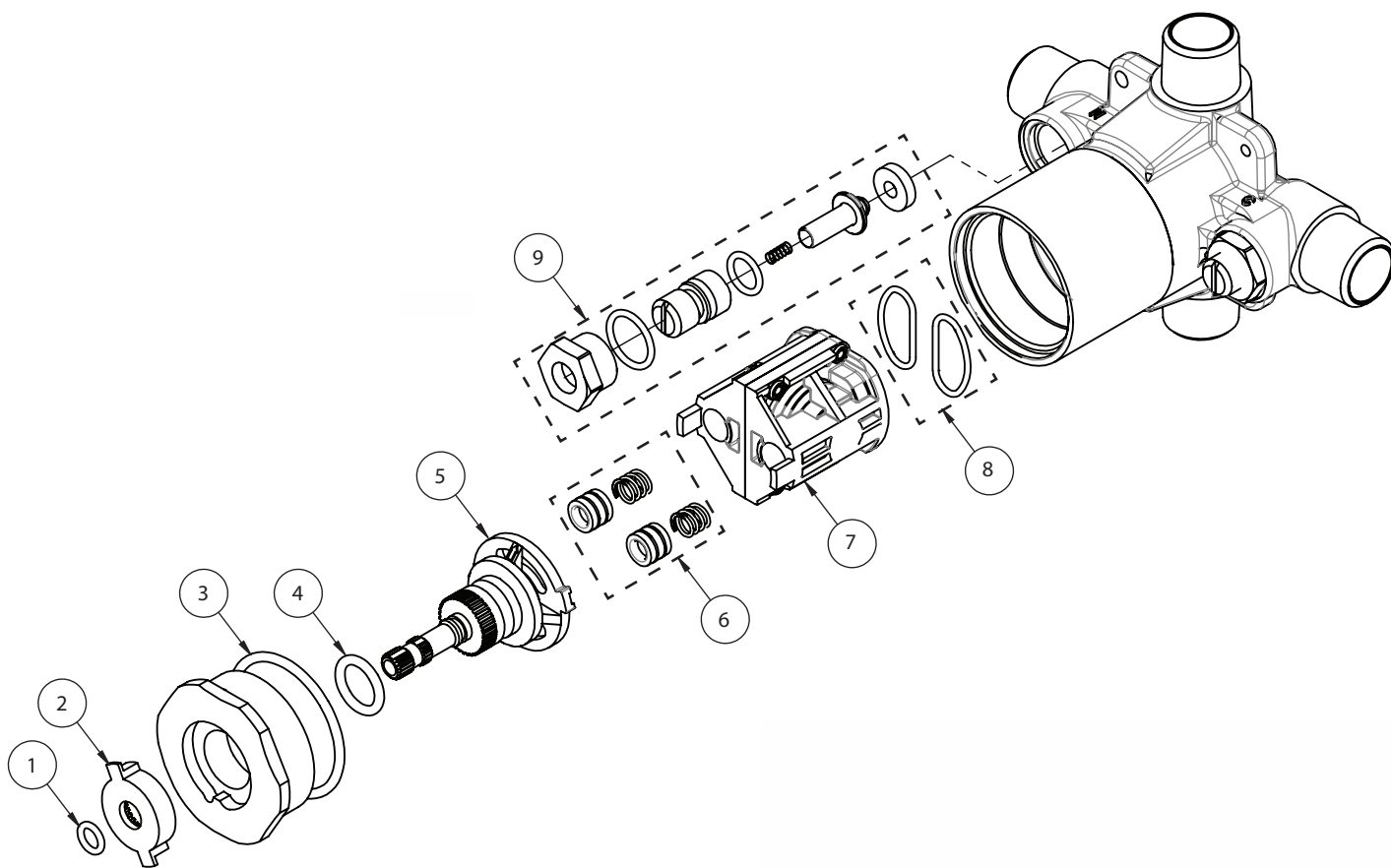


**Pressure Balance Valve**



Part #	Description	Includes
THP4805	Major Repair Kit	1,2,3,4,5,6,7,8
THP4806	Minor Repair Kit	1,3,4,6,8
THP4807	Checkstop Kit	9 (2 sets)