

Guinevere® 5 Hole Deck Bath Trim

FEATURES

- Solid brass construction
- Lever handles
- Includes 60" metal shower hose
- Ceramic disk valve cartridge
- For use with the 5 hole deck bath valve with lever handles (TB7FR)

COLORS/FINISHES

- #CP Polished Chrome
- #RB Oil Rubbed Bronze



CODES/STANDARDS

- Meets or exceeds ASME A112.18.1/CSA B125.1
- Certifications: IAPMO(cUPC), State of Massachusetts and others
- Code Compliance: UPC, IPC, NSPC, NPC Canada, and others
- ADA compliant



PRODUCT SPECIFICATION

Two-handle deck-mounted tub filler with thermo-static control shall have a solid brass construction. Product shall have lever handles. Product shall include 60" metal shower hose. Product shall have a ceramic disk valve cartridge. Product requires TB7FR valve, sold separately. Product shall be TOTO Model TB970S1# ____.

TB970S1

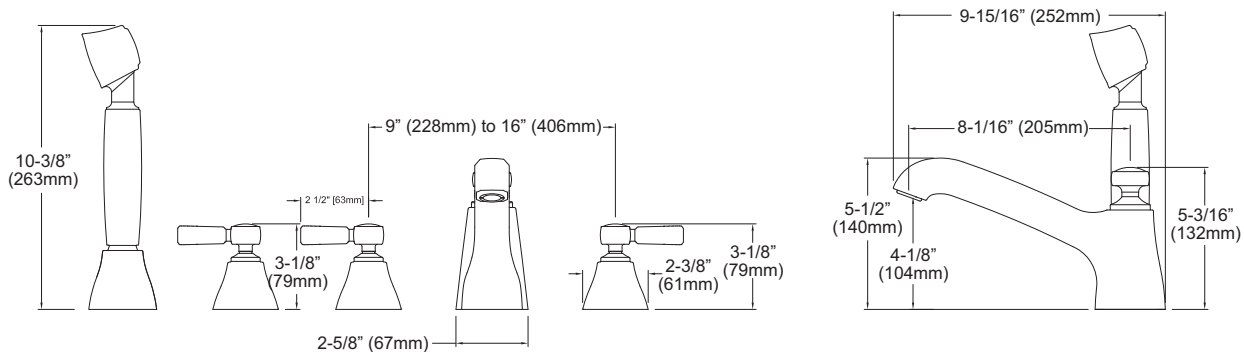
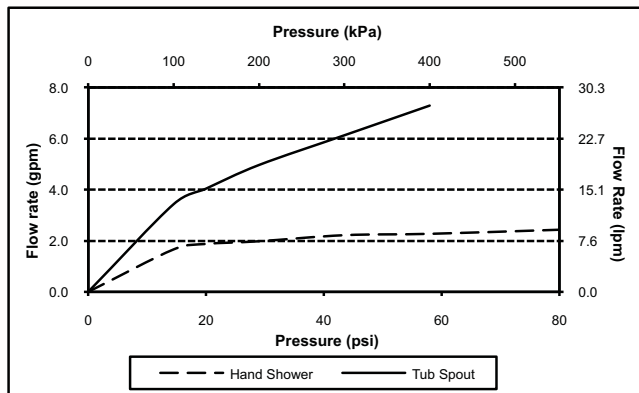
Guinevere® 5 Hole Deck Bath Trim

SPECIFICATIONS

- Warranty: Lifetime Limited Warranty (Residential Use)
One Year (Oil Rubbed Bronze)
One Year (Commercial Use)
- Material: Brass
- Shipping Weight: 13.3 lbs.
- Shipping Dimensions: 22" L x 14-1/2" W x 11-3/4" H

INSTALLATION NOTES

VALVE REQUIRED:
Guinevere® 5 hole deck bath valve with lever handles, model TB7FR, sold separately.



IMPORTANT NOTE: This valve/trim can only be installed in a built-up deck. It cannot be installed on pre-finished deck or on tub rim.

TOTO®

These dimensions and specifications are subject to change without notice