

## Mercer® Pressure Balance Valve Trim without Diverter

### FEATURES

---

- For use with the TSPT/TSPTR pressure balancing valve
- Lever handle

### COLORS/FINISHES

---

- #CP Polished Chrome
- #BN Brushed Nickel
- #PN Polished Nickel

### CODES/STANDARDS

---

- Meets or exceeds ASME A112.18.1/CSA B125.1, ASSE 1016
- Certifications: IAPMO(cUPC), State of Massachusetts, City of Los Angeles, and others
- Code Compliance: UPC, IPC, NSPC, NPC Canada, and others
- ADA compliant



### PRODUCT SPECIFICATION

---

Pressure balance valve trim shall be without diverter. Trim shall include front seal plate assembly. Pressure balance trim shall be TOTO Model TS756P\_\_\_\_ and required valving shall be TSPT/TSPTR.

# TS756P

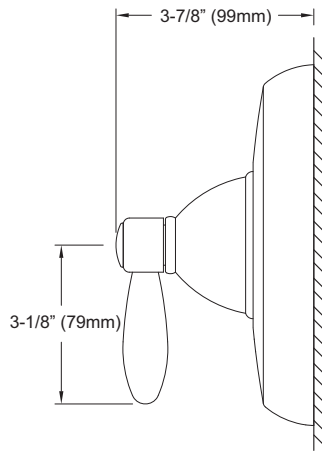
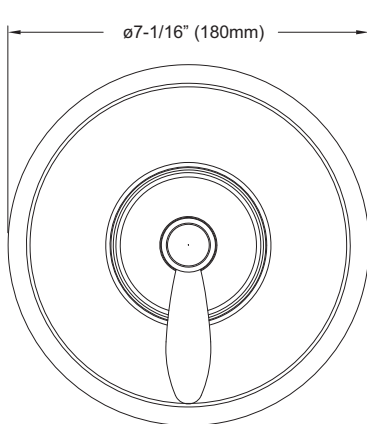
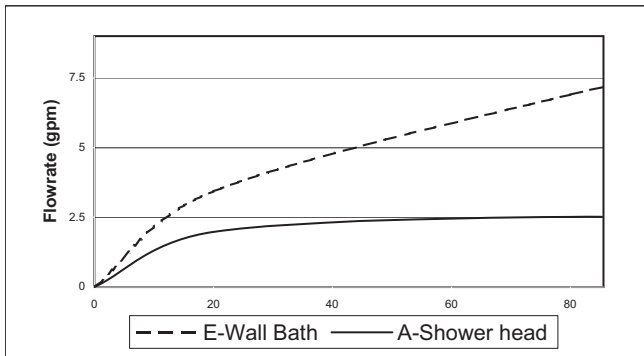
## Mercer® Pressure Balance Valve Trim without Diverter

### SPECIFICATIONS

- Warranty Lifetime Limited Warranty (Residential Use)  
One Year (Commercial Use)
- Material Brass
- Shipping Weight 6.4 lbs.
- Shipping Dimensions 13-3/4" L x 9" W x 4" H

### INSTALLATION NOTES

**VALVE REQUIRED:**  
Pressure balancing valve, model TSPT or TSPTR sold separately.



**TOTO®**

*These dimensions and specifications are subject to change without notice*