

# TOTO®

## CT705E Flushometer Toilet, 1.28GPF when used with High Efficiency Flushometer Valve



CT705E - Flushometer Toilet  
SC534 - Commercial Toilet Seat  
TET1LN32#CP - 1.28GPF ECO EFV - Automatic Flushometer Valve

- Low consumption 1.28 gallon flush when used with High Efficiency Flushometer Valve
- Elongated rim, siphon jet flush action
- 10"-12" rough-in
- Powerful and quiet flush

### ■ CT705E

Vitreous china low consumption elongated front rim, siphon jet flush action, floor mounted toilet, complete. Includes 1½" top spud and 2 bolt caps, less seat.

**10"-12" rough-in.**

### □ SS114

SoftClose® Seat: Seat and lid gently close with a touch of a hand. Elongated, closed front seat with lid.

### □ SC134

Elongated, open front seat with cover.

### □ SC534

Elongated, open front seat less cover.

#### Colors:

Standard #01 Cotton

Optional See price book for additional colors

#### Recommended flushometer valve:

TOTO® Manual and Electronic Flush Valves are highly recommended for maximum performance.

# CT705E

## Flushometer Toilet, 1.28Gpf when used with High Efficiency Flushometer Valve

### ■ PERFORMANCE

The TOTO® 1.28 Gpf flushometer toilet received high ratings during ANSI/ASME testing at independent test laboratories. Designed with a powerful siphon jet flushing action, the bowl offers a large 10-1/4" x 9-5/8" water surface.

### ■ SPECIFICATIONS

Water Use: 1.28 Gpf/4.8 Lpf  
 Flush System: Siphon jet flushing action  
 Min. Water Pressure: 35 psi static  
 Water Surface: 10-1/4" x 9-5/8"  
 Trap Diameter: 1-7/8"  
 Rough-in: 10"– 12" rough-in  
 Trap Seal: 2-3/8"  
 Warranty: One Year Limited Warranty  
 Material: Vitreous china

Shipping Weight: **CT705E–Bowl**  
 48.5 lbs.

Shipping Dimensions: **CT705E–Bowl**  
 28"L x 11-3/4"W<sup>1</sup> x 15-1/2"W<sup>2</sup>  
 x 15-1/2"H

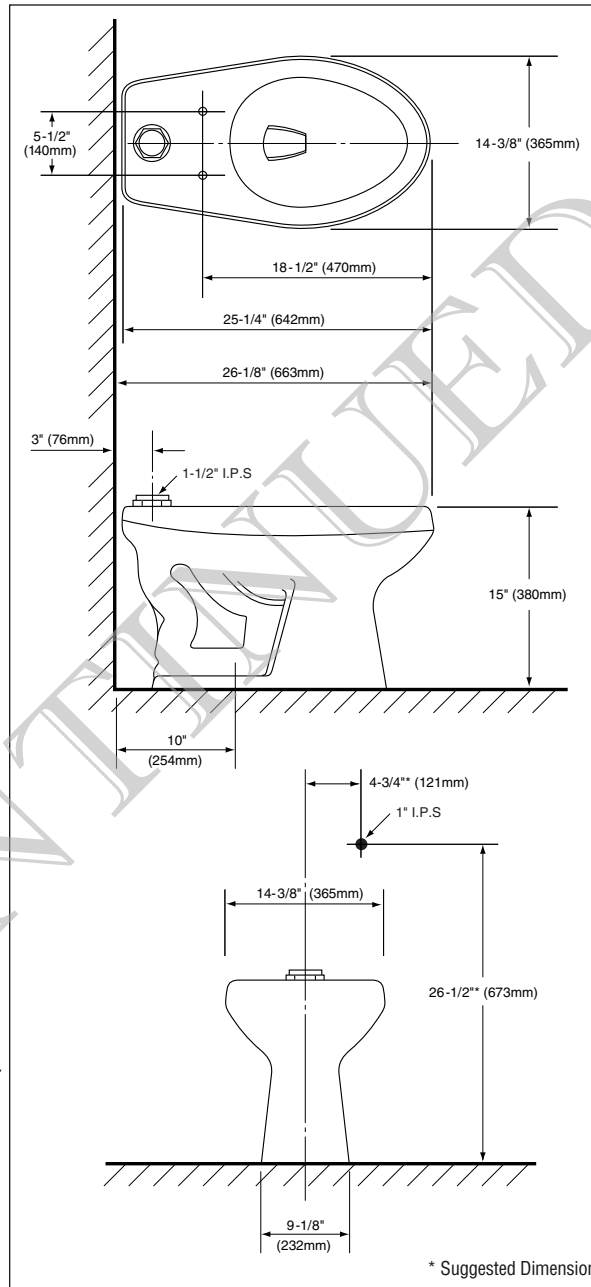
*Fixture dimensions and hydraulic performance meet or exceed ANSI/ASME standard A112.19.2 and CAN/CSA B 45 requirements.*

*Listing / Approvals: IAPMO/c-UPC, CSA, City of Los Angeles, State of Massachusetts, and others.*

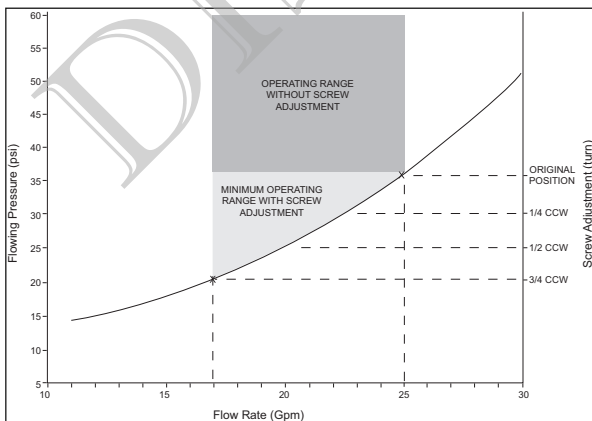
*Meets and exceeds ASME A112.19.2 standards for drainline carry distance with a 2% grade and 4" I.D. pipe.*

*Note: Refer to manufacturer's instructions and local codes for proper flush valve installation and requirements.*

*These dimensions and specifications are subject to change without notice.*



CT705E - Flushometer Toilet



**TOTO®**

TOTO® U.S.A., INC. • 1155 Southern Road, Morrow, GA 30260  
 Tel. (888) 295-8134 • Fax. (770) 282-8701 • www.totousa.com  
 Printed in U.S.A. © TOTO® LTD. 09/07 #E50082

Printed on recycled paper

REV 11/08