

### FEATURES

---

- Gravity jet flushing system
- Close coupled round front bowl and tank set, less seat
- Chrome trip lever
- 10" Rough-in, less supply

### MODELS

---

- CST703X.10  
Round bowl, 10" rough-in, less seat

### COMPONENTS

---

- C703.10 - Round Front Bowl, 10" rough-in
- ST706 - Tank and Cover only
- ST706B - Tank and Cover only, bolt-down lid
- ST706R - Tank and Cover only, right-hand trip lever
  
- SS113 SoftClose® seat (sold separately)

### COLORS/FINISHES

---

- #01 Cotton
- #03 Bone
- #12 Sedona Beige

### PRODUCT SPECIFICATION

---

The two-piece gravity jet flushing system toilet shall be 1.6GPF/6.0LPF. Toilet shall have high-profile tank, round front bowl and chrome trip lever. Toilet shall have 10" rough-in. Toilet shall be TOTO Model CST703X.10\_\_\_\_\_.



### CODES/STANDARDS

---

- Meets and exceeds ASME A112.19.2/CSA B45.1
- Certifications: IAPMO(cUPC), State of Massachusetts, City of Los Angeles, and others
- Code compliance: UPC, IPC, NSPC, NPC Canada, and others



# CST703X.10

## Close Coupled Toilet, 1.6GPF/6.0 GPF

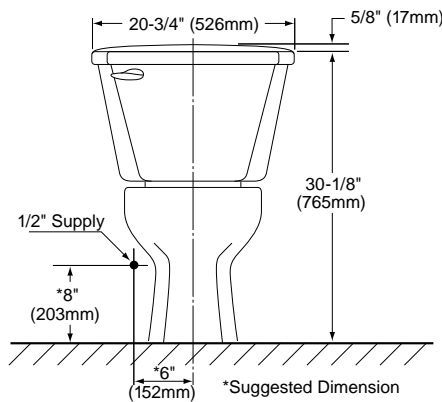
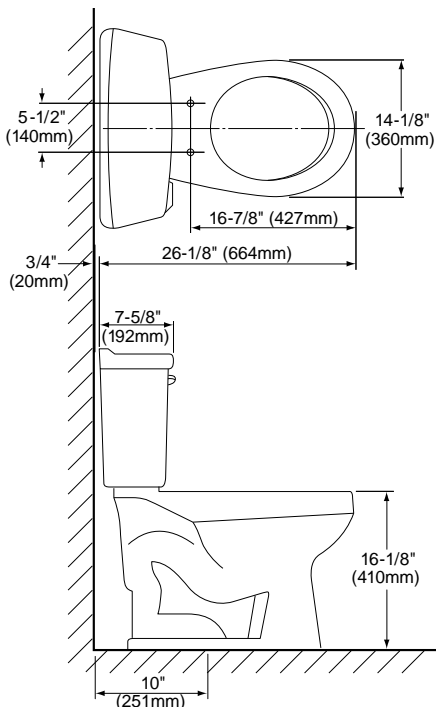
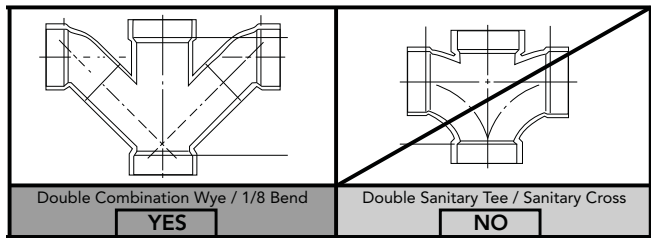
### SPECIFICATIONS

- Water Use 1.6 GPF/6.0LPF
- Flush System Gravity feed
- Min. Water Pressure 8 psi (static)
- Water Surface 7-7/8" x 7-1/8"
- Trap Diameter 2-1/8"
- Rough-in 10"
- Trap Seal 2-1/8"
- Warranty One Year Limited Warranty
- Material Vitreous china
- Shipping Weight C703.10 - 46lbs  
ST706 - 32.5lbs
- Shipping Dimensions C703.10  
26" L x 11 5/8" W1  
x 15 5/8" W2 x 15"

ST706  
20-1/8" L x 8-1/4" W  
x 15-1/2" H

### INSTALLATION NOTES

Back-to-Back Toilet Installations:  
TOTO recommends the use of a nationally listed, double sanitary tee-wye only, in vertical waste stacks, in accordance with the stipulations noted in the majority of nationally recognized plumbing codes.



**TOTO**

*These dimensions and specifications are subject to change without notice*