



Washlet

CLEANSE & REFRESH

CHLOE

Features:

- Gentle Aerated Warm Water
- Heated Seat with Temperature Control
- Self Cleaning Dual Action Spray
- SoftClose Seat

The Chloe Washlet Streamlined for Ease and Comfort

- Gentle Aerated Warm Water
- Self-Cleaning Dual Action Spray
- Heated Seat with Temperature Control
- SoftClose Antibacterial Seat
- Easy Cleaning & Installation

The Chloe Washlet is designed with comfort and convenience in mind. An activation panel to the right of the seat puts control at your fingertips. At the touch of a button, the Chloe Washlet wand extends to provide a gentle stream of warm aerated water for dual-action front and rear cleansing. You control both the water temperature and the seat temperature, adjusting them to a comfortable warmth you choose.

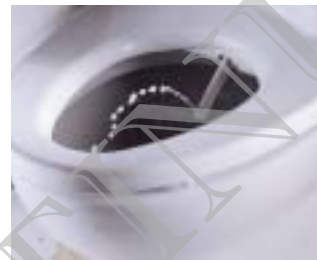


Like all TOTO Washlets, Chloe draws water directly from your home's fresh water supply, so the Washlet water is always convenient and fresh. Plus, the nozzle self-cleans automatically before and after each use. All Washlet seats are made from antibacterial plastics and feature the TOTO SoftClose hinge to eliminate annoying "toilet seat slam."



Engineered with TOTO's SoftClose Seat to eliminate annoying "toilet seat slam"

The Chloe Washlet is appropriate for both men and women. Seniors, children or those with limited mobility may find it to be especially helpful. Everyone at any age can enjoy regular use.



Gentle warm water cleansing



Convenient activation panel

SPECIFICATIONS:

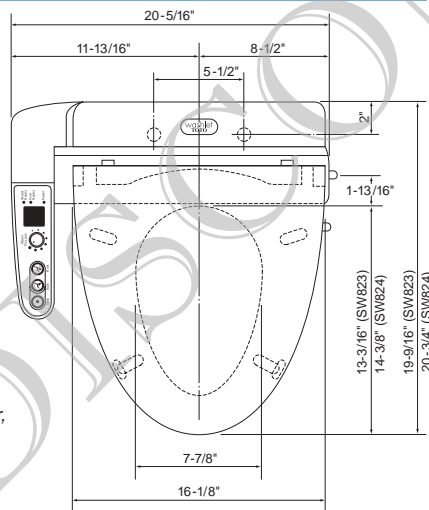
SW823
Round Front

SW824
Elongated Front



NOTE:

- Chloe may not fit certain toilet bowl designs.
- If possible, with your order, please include your toilet manufacturer's name and model number (from the underside of the tank lid).



Power Rating 120V AC, 570 W, 60 Hz

Power Cord Maximum length: 3.3 ft/100 cm
3 prong grounded plug

Water Feature Adjustable Water Flow Rate:
Front washing - from 0.132 gal/min. to 0.264 gal/min.
Back washing - from 0.106 to 0.291 gal/min.

Temperature of Washing Spray:
Minimum: 86° F/30° C
Maximum: 104° F/40° C

Water Heater Capacity: 0.272 gal./1030 ml

Safety Device: Thermal fuse/overheat breaker
(automatic reset type)

Float switch prevents overheating on an empty tank

Back Flow Prevention: Equipped with check valve
and vacuum breaker

Water Temperature Control: Adjustable
temperature control knob

Seat Warming Feature

Surface Temperature:
Minimum: 86° F/30° C
Maximum: 104° F/40° C

Seat Heater Capacity: 50W

Safety Device: Thermal fuse

Temperature Control: Adjustable temperature control

Water Supply Pressure

Minimum: 20 psi
Maximum: 80 psi

Ambient Temperature Range

32° F/0° C to 104° F/40° C

Weight Round/Elongated

Net: 11.9 lbs./5.4 kgs
Gross (With packaging): 20.3 lbs./9.2 kgs

Listings/Approval



And others.

Product Dimensions

20-5/16" W x 20-3/4" D x 11" H (Elongated Front)
20-5/16" W x 19-9/16" D x 11" H (Round Front)

Colors:

Standard #01 Cotton

Optional See Price Book for Additional Colors

Specifications may change without notice.

TOTO[®]
Perfection by Design

