

Ethos™ Design NII Pedestal Lavatory

FEATURES

- 29-1/8" x 19-1/8"
- SanaGloss® ceramic glaze - prevents debris and mold from sticking to ceramic surfaces, leading to fewer chemicals and less water in cleaning
- Contemporary styling
- 34" Universal Height for maximum comfort
- Rear overflow
- Vitreous china pedestal and lavatory combination complete with mounting hardware

MODELS

- LPT690G
Pedestal lavatory with single hole
- LPT690.4G
Pedestal lavatory with 4" faucet centers
- LPT690.8G
Pedestal lavatory with 8" faucet centers
- Available Components:
LT690G
Lavatory with single hole

LT690.4G
Lavatory with 4" faucet centers

LT690.8G
Lavatory with 8" faucet centers

PT690
Pedestal only, with mounting hardware

COLORS/FINISHES

- #01 Cotton
- #12 Sedona Beige



SanaGloss

Faucet sold separately

CODES/STANDARDS

- Meets and exceeds ASME A112.19.2/CSA B45.1
- Certifications: IAPMO(cUPC), State of Massachusetts, City of Los Angeles, and others
- Code compliance: UPC, IPC, NSPC, NPC Canada, and others



PRODUCT SPECIFICATION

The lavatory shall have SanaGloss glazing and be 29-1/8" width and 19-1/8" depth. The basin shall be 26-5/8" width and 12-1/2" depth. The lavatory shall be made of vitreous china and be 34" universal height with rear overflow. Lavatory shall be TOTO Model LPT690_____.

LPT690G

Ethos™ Design NII Pedestal Lavatory

SPECIFICATIONS

- Waste 1-1/4" O.D.
- Size 29-1/8" W x 19-1/8" D
- Basin 26-5/8" W x 12-1/2" D
- Warranty One Year Limited Warranty
- Material Vitreous china
- Shipping Weight LT690G/LT690.4G/LT690.8G
70.9 lbs.

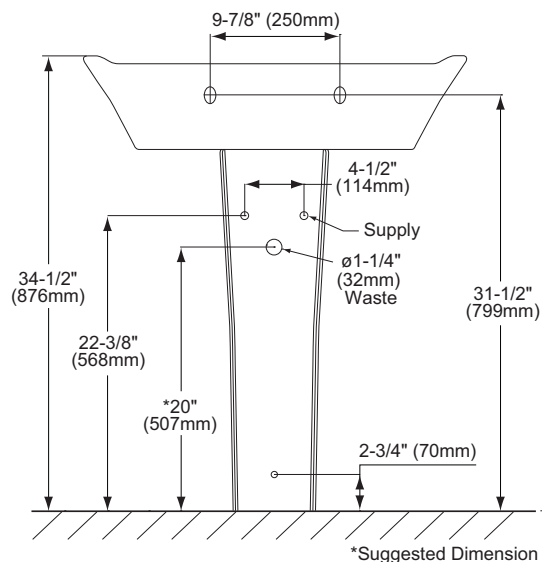
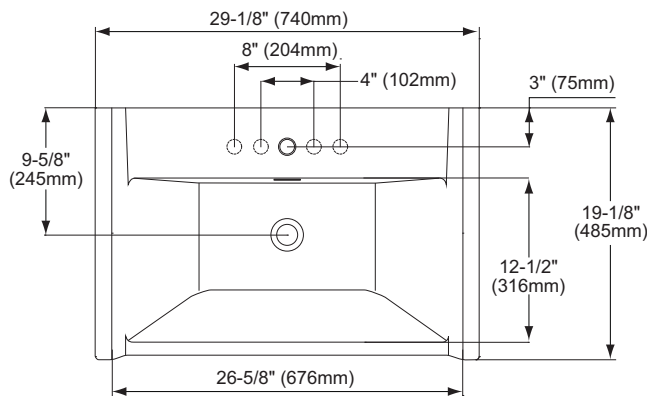
PT690
37.8 lbs.

- Shipping Dimensions LT690G/LT690.4G/LT690.8G
31-1/8" W x 21-1/2" D
x 11" H

PT690
29" W x 12" D x 10-3/4" H

INSTALLATION NOTES

Requires PT690 pedestal for support. Use proper back support to mount product.



TOTO®

These dimensions and specifications are subject to change without notice