

## Undercounter Lavatory

### FEATURES

- 19-5/8" x 12-5/8"
- ADA compliant
- Rear overflow
- Mounting assembly complete with installation template and mounting screw set

### MODELS

- LT553  
(#01, #12)



### COLORS/FINISHES

- #01 Cotton
- #12 Sedona Beige

### CODES/STANDARDS

- Meets and exceeds ASME A112.19.2/CSA B45.1
- Certifications: IAPMO(cUPC), State of Massachusetts, City of Los Angeles, and others
- Meets ADA guidelines and ANSI A117.1 requirements when countertop is installed 864mm (34") from finished floor and lavatory is installed 205mm (8-1/8") minimum from front edge.



### PRODUCT SPECIFICATION

The undercounter lavatory shall be made of vitreous china. Lavatory shall be 19-5/8" in length and 12-5/8" in width. Product shall be with overflow and lavatory shall include mounting assembly. Lavatory shall be TOTO Model LT553\_\_\_\_\_.

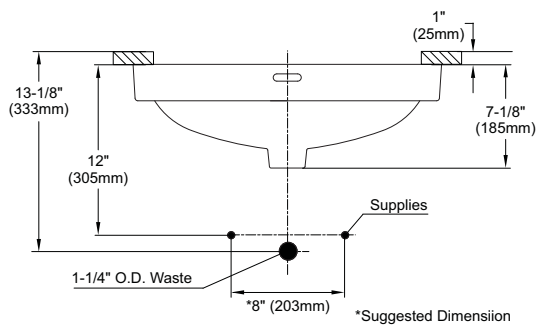
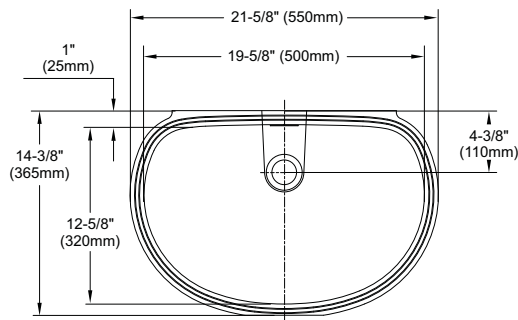
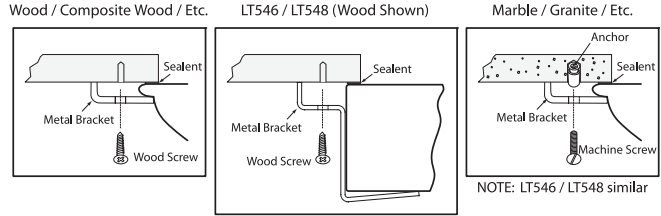
# LT553

## Undercounter Lavatory

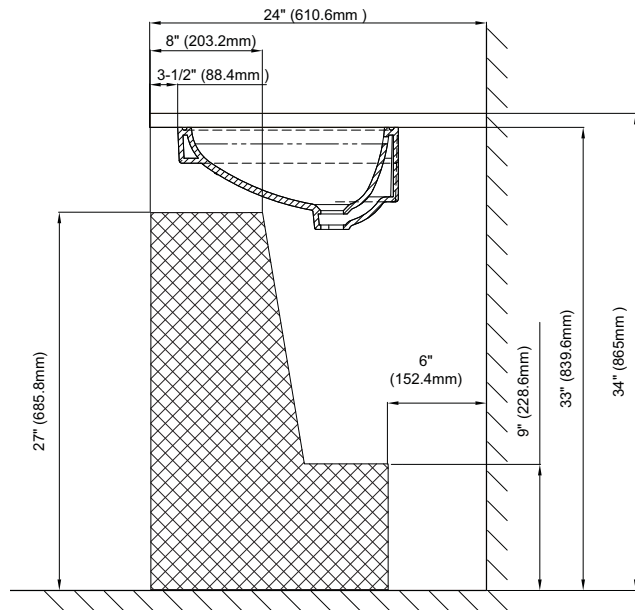
### SPECIFICATIONS

- Waste 1-1/4" O.D.
- Size 21-5/8" W x 14-3/8" D
- Basin 19-5/8" W x 12-5/8" D
- Warranty One Year Limited Warranty
- Material Vitreous china
- Shipping Weight 23.7 lbs.
- Shipping Dimensions 21-7/8" W x 14-3/4" D x 8-1/2" H

### INSTALLATION NOTES



### ADA Compliance Check



**TOTO®**

These dimensions and specifications are subject to change without notice

Ph: (888) 295-8134 | Fax: (800) 699-4889 | www.totousa.com

Printed in U.S.A. | © TOTO LTD. 07/09 | Printed on recycled paper ♻️

#SS-00293 v.02