

Enameled Cast Iron Bathtub

FEATURES

- 66" x 32" x 18-5/16"
- Luxurious, deep soaking drop in design
- Cast-iron construction provides years of durability
- Slip-resistant surface

COLORS/FINISHES

- Shell Color
 - #01 Cotton
 - #12 Sedona Beige

CODES/STANDARDS

- Meets and exceeds ASME A112.19.1/CSA B45.2
- Certifications: IAPMO(cUPC), State of Massachusetts, City of Los Angeles and others
- Code Compliance: UPC, IPC, NSPC, NPC Canada, and others



PRODUCT SPECIFICATION

The Enameled Cast Iron Bathtub construction shall prove the ultimate in strength and durability, while a slip-resistant surface enhances safety in the bath. Cast Iron Bathtub shall be TOTO Model FBY1700P____.

FBY1700P

Enameled Cast Iron Bathtub

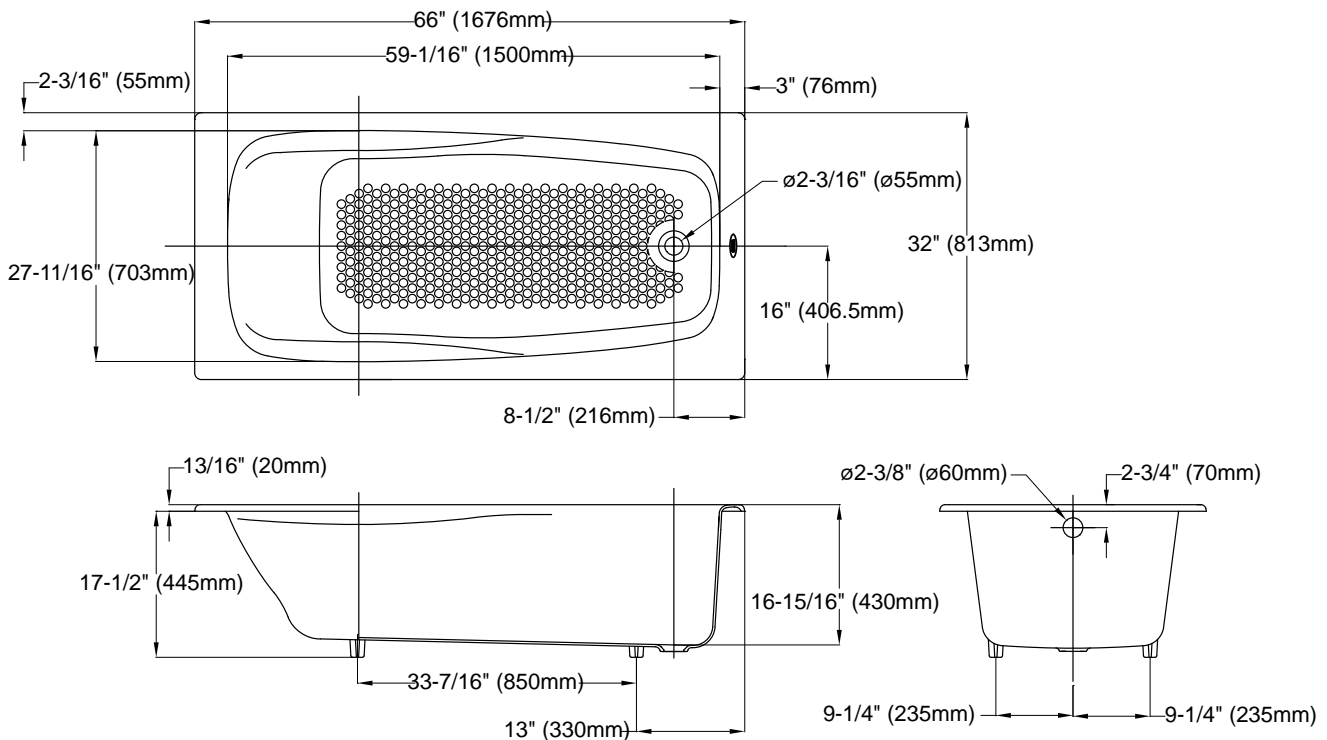
SPECIFICATIONS

- Size 66" L x 32" W
- Depth 18-5/16"
- Warranty Lifetime Limited Warranty
- Material Enameled Cast Iron
- Shipping Weight 309 lbs.
- Shipping Dimensions 70-1/16" L x 36-5/16" W x 23-13/16" H

INSTALLATION NOTES

A frame cutout guide is available for drop-in installation. A template is available for under mount installation.

Floor support under bath must provide a minimum of 80 lbs/square foot (391 kg/square meter) loading.



TOTO

These dimensions and specifications are subject to change without notice