

## Pacifica® One-Piece Toilet, 1.6GPF

### FEATURES

- Power Gravity® flushing system, (1.6GPF/6.0LPF)
- Decorative one-piece low profile skirted toilet
- Elongated front bowl with SoftClose® seat (SS114)
- 12" UniFit rough-in
- Chrome trip lever

### MODELS

- MS904114  
one-piece toilet with SoftClose seat (SS114)

### COLORS/FINISHES

- Standard
  - #01 Cotton
  - #03 Bone
  - #11 Colonial White
  - #12 Sedona Beige
  - #51 Ebony



**POWER** BY TOTO  
**GRAVITY**

### PRODUCT SPECIFICATION

The one-piece low consumption double cyclone flushing system toilet shall be 1.6GPF/6.0LPF. Toilet shall be of skirted design, elongated front bowl with SoftClose seat and Chrome trip lever.

### CODES/STANDARDS

- Meets and exceeds ASME A112.19.2/CSA B45.1
- Certifications: IAPMO(cUPC), State of Massachusetts, City of Los Angeles, and others
- Code compliance: UPC, IPC, NSPC, NPC Canada, and others



# MS904114

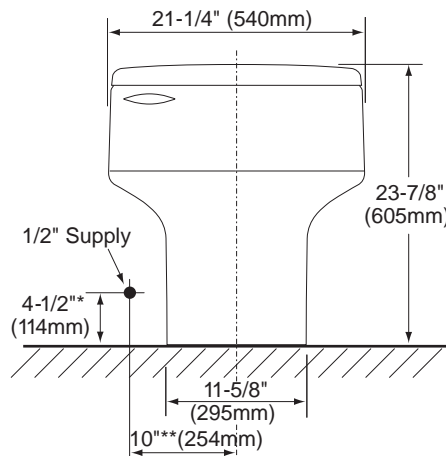
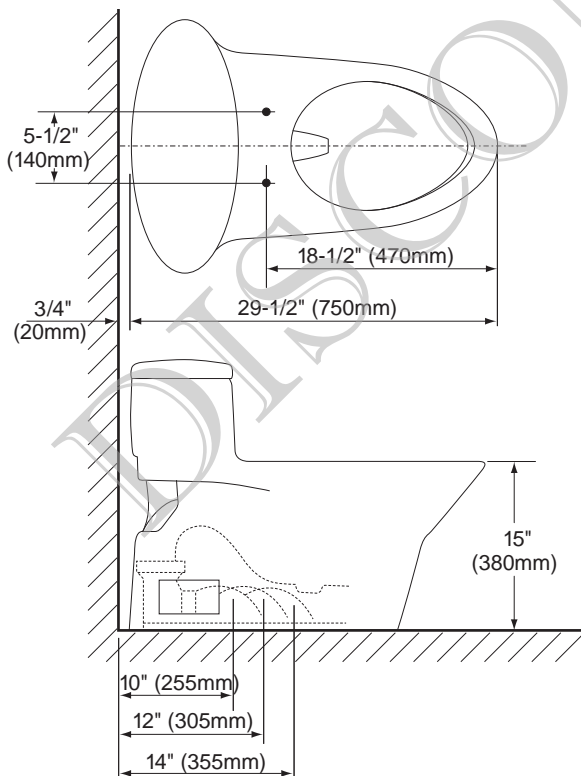
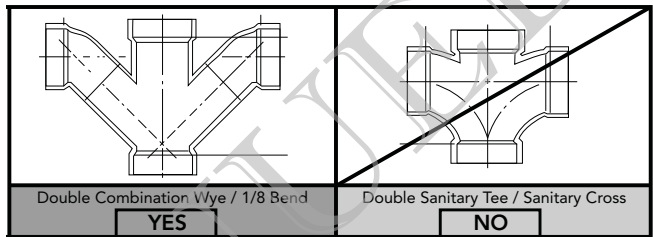
## Pacifica® One-Piece Toilet, 1.6GPF

### SPECIFICATIONS

- Water Use 1.6 GPF/6.0LPF
- Flush System Gravity Feed - Power Gravity
- Min. Water Pressure 8 psi (static)
- Water Surface 10-1/4" x 8-5/8"
- Trap Diameter 2-1/8"
- Rough-in 12", (10" & 14" avail.)
- Trap Seal 2-5/8"
- Warranty One Year Limited Warranty
- Material Vitreous china
- Shipping Weight 120 lbs.
- Shipping Dimensions 32-7/8" L x 23-5/8" W x 24-3/8" H

### INSTALLATION NOTES

Back-to-Back Toilet Installations:  
 TOTO recommends the use of a nationally listed, double sanitary tee-wye only, in vertical waste stacks, in accordance with the stipulations noted in the majority of nationally recognized plumbing codes.



Suggested Dimensions\*\* Note: Water supply rough-in is wider than standard 5" rough-in. Consult your builder or contractor

**TOTO®**

*These dimensions and specifications are subject to change without notice*