

Pacifica® Close Coupled Toilet, 1.6GPF

FEATURES

- G-Max® flushing system, low consumption (1.6GPF/6.0LPF)
- Elongated front bowl and tank set, less seat
- Chrome trip lever
- 12" Unifit rough-in, less supply (included)

MODELS

- CST804S

COMPONENTS

- CT804S
Elongated bowl
- ST804S
Tank and cover only
- SS114 SoftClose® seat (sold separately)
- SS204 SoftClose® seat (sold separately)
- TSU01W.10 - 10" Unifit rough-in (sold separately)
- TSU01W.14 - 14" Unifit rough-in (sold separately)

COLORS/FINISHES

- Standard
 - #01 Cotton
 - #03 Bone
 - #11 Colonial White
 - #12 Sedona Beige
 - #51 Ebony

PRODUCT SPECIFICATION

The two-piece G-Max flushing system toilet shall be 1.6GPF/6.0LPF. Toilet shall have high-profile tank, elongated front bowl and chrome trip lever. Toilet shall be TOTO Model CST804S____.



CODES/STANDARDS

- Meets and exceeds ASME A112.19.2/CSA B45.1
- Certifications: IAPMO(cUPC), State of Massachusetts, City of Los Angeles, and others
- Code compliance: UPC, IPC, NSPC, NPC Canada, and others



CST804S

Pacifica® Close Coupled Toilet, 1.6GPF/6.0 GPF

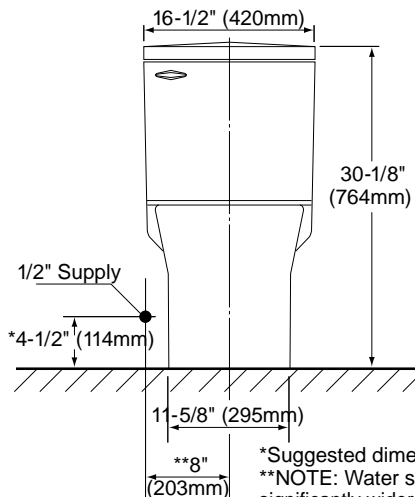
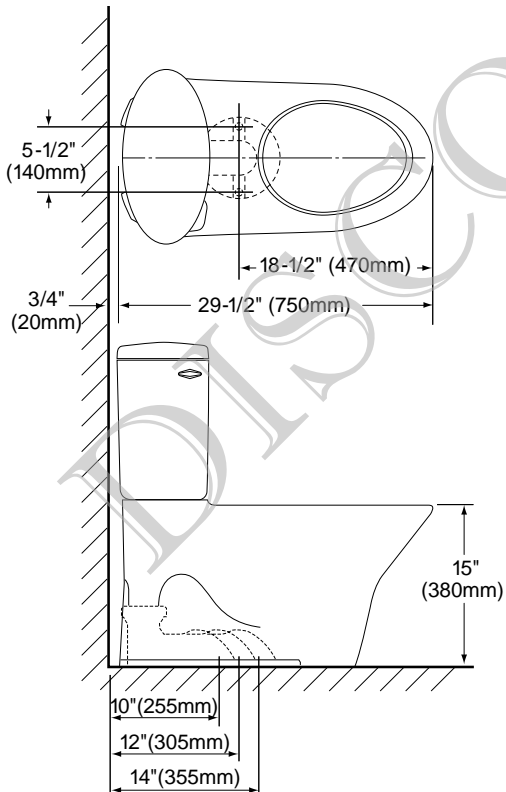
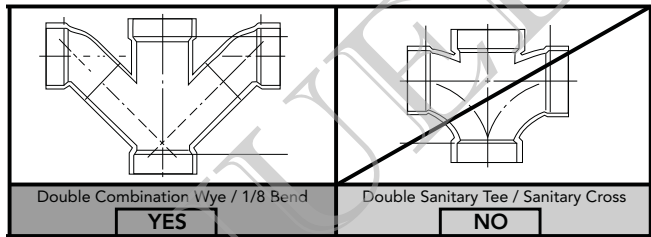
SPECIFICATIONS

- Water Use 1.6 GPF/6.0LPF
- Flush System G-Max®
- Min. Water Pressure 8 psi (static)
- Water Surface 10-1/4" x 8-1/2"
- Trap Diameter 2-1/16"
- Rough-in 12" (10" and 14" available)
- Trap Seal 2-5/8"
- Warranty One Year Limited Warranty
- Material Vitreous china
- Shipping Weight CT804S - 75.5lbs
ST804S - 26.5lbs
- Shipping Dimensions CT804S
30-1/8" L x 16-3/4" W x 22" H

ST804S
16-7/8" L x 9-1/4" W
x 16-3/8" H

INSTALLATION NOTES

Back-to-Back Toilet Installations:
TOTO recommends the use of a nationally listed, double sanitary tee-wye only, in vertical waste stacks, in accordance with the stipulations noted in the majority of nationally recognized plumbing codes.



*Suggested dimension
**NOTE: Water supply rough-in is significantly wider than standard 5" rough-in. Consult your builder or contractor.

TOTO®

These dimensions and specifications are subject to change without notice